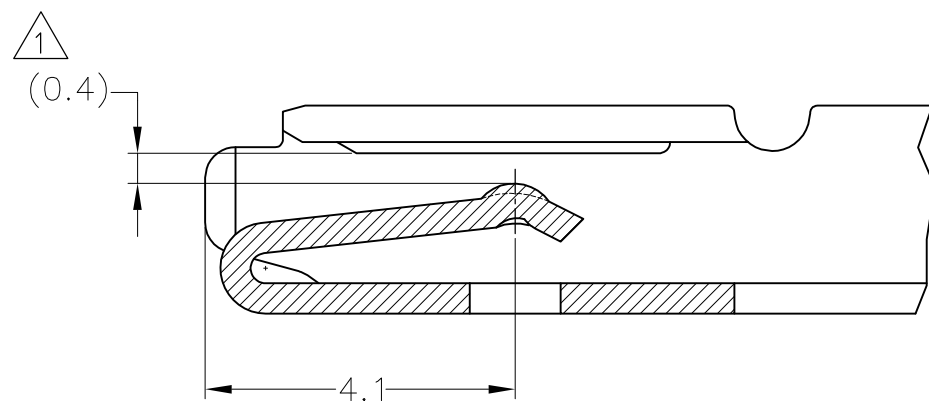
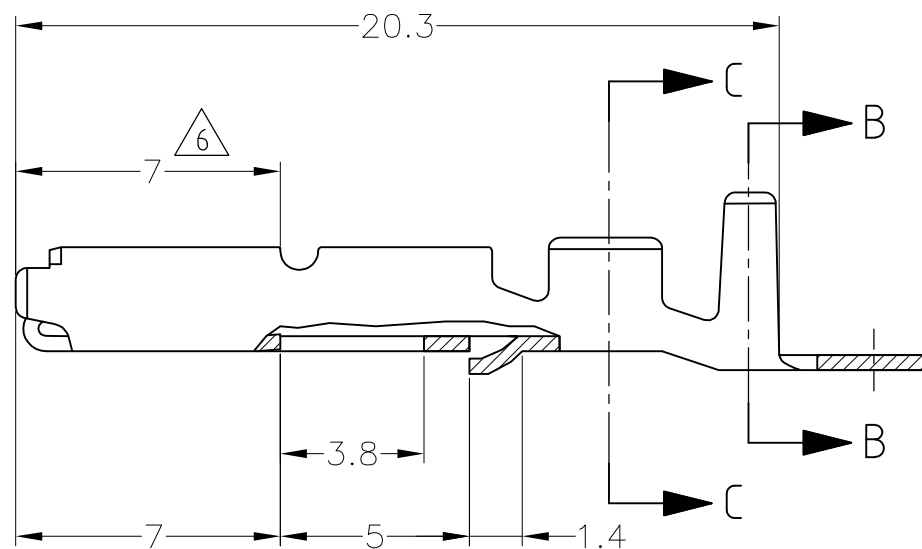
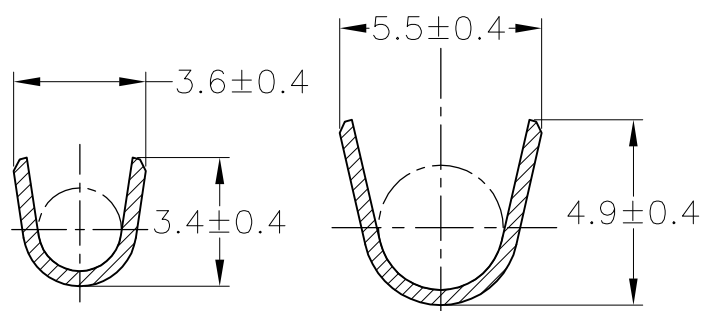
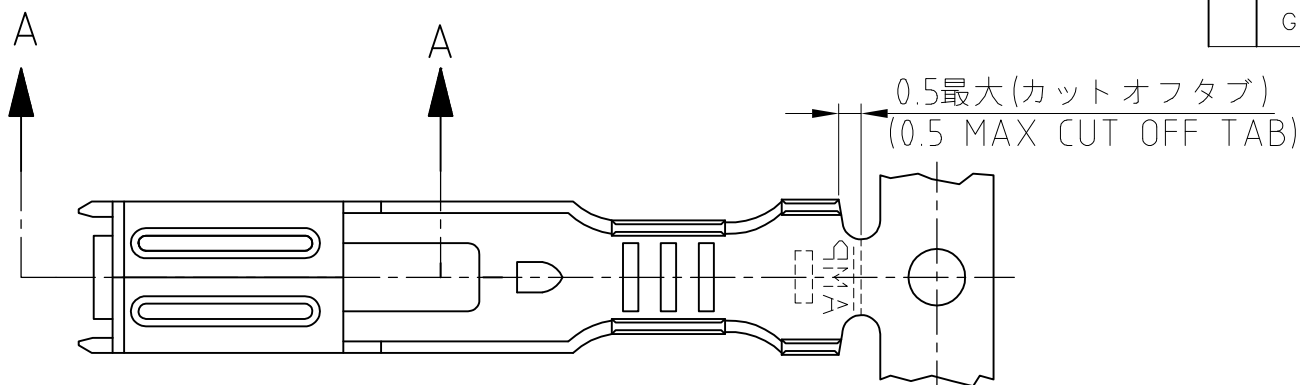
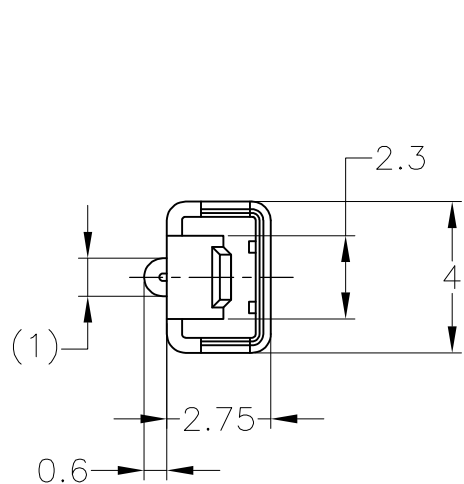


REVISIONS

P	LTR	DESCRIPTION	DATE	DWN	APVD
	G1	REVISED	08MAR16	DM	TK



A-A SCALE 10: 1

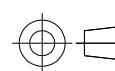
- △ 0.65t タブと嵌合
- 2. 嵌合相手タブ型番 172777, 172778
- 3. 製品規格 No.108-5165,5166
- 4. 取付適用規格 No.114-5071
- 5. 相手ハウジング型番 172500 他
- △ 逆巻きリール

- △ MATE WITH 0.65t TAB.
- 2. MATE TAB P/N 172777,172778.
- 3. PRODUCT SPEC. No.108-5165,5166
- 4. APPLICATION SPEC. No.114-5071.
- 5. PLUG HSG P/N 172500 ETC.
- △ REVERSE REEL.

<del>172774-5</del>	錫メッキ済 PRE-TIN	KLF-5	△ 1-172773-5	7
172774-1	錫メッキ済 PRE-TIN	黄銅 BRASS	△ 1-172773-1	6
172774-6	部分金メッキ SELECTIVE GOLD △6	磷青銅 PHOS-BRO	172773-6	5
<del>172774-5</del>	錫メッキ済 PRE-TIN	KLF-5	172773-5	4
172774-4	錫メッキ済 PRE-TIN	磷青銅 PHOS-BRO	172773-4	3
SEE DRAWING 172773-2			172773-2	2
172774-1	錫メッキ済 PRE-TIN	黄銅 BRASS	172773-1	1
バラ状端子型番 L-P NO.	仕上 FINISH	材料 MATERIAL	型番 PART NUMBER	項番 ID

THIS DRAWING IS A CONTROLLED DOCUMENT.

DIMENSIONS:  
mm



TOLERANCES UNLESS OTHERWISE SPECIFIED:

0 < x ≤ 10	± 0.2
10 < x ≤ 30	± 0.25
30 < x ≤ 100	± 0.3
ANGLE ;	± 3°
FINISH	± -

MATERIAL  
SEE TABLE

SEE TABLE

DWN	D.MATSUURA	08MAR16
CHK	S.IWATANI	08MAR16
APVD	T.KOHNO	08MAR16
PRODUCT SPEC	SEE NOTE	
APPLICATION SPEC	-	
WEIGHT	-	



RECEPTACLE CONTACT  
MULTI INTER LOCK CONNECTOR  
MARK II

SIZE	CAGE CODE	DRAWING NO	RESTRICTED TO
A3	00779	C-172773	-

CUSTOMER DRAWING

SCALE 5:1

SHEET 1 OF 1

REV G1

WIRE RANGE	INSULATION DIA
0.5-2.27mm <sup>2</sup> (AWG #22-#18)	2.1-3.4 mm DIA

TOLERANCE UNLESS OTHERWISE SPECIFIED: 一般公差	
0 < x ≤ 10	± 0.2
10 < x ≤ 30	± 0.25
30 < x ≤ 100	± 0.3
ANGLE ;	± 3°