

## Data sheet

Commercial Art.No.: 99.470.5772.2

Distributor GST18I5V 2P1T E SW

T-distributor GST18i5, 5-pole, 1 input 2 5-pole outputs one-sided locking, 250/400 V, 20 A, Coding: black



Commercial Art.No.	99.470.5772.2
EAN	4015573793743
Order Unit	1

## Technical data

### General

Rated current	20 A
Rated voltage	250 V / 400 V
Rated impulse voltage	4 kV
Pollution degree	2
Mechanical coding	Code 1
Lockable	self-locking (unlocking by tool)
Color of coding/ contact carrier	black
Marking of poles	3, N, PE, 2, 1

### Model

Number of inputs	1
Number of outputs	2
Type of fastening	No
Degree of protection (IP)	IP20
Type of distributor	T-distributor

### Material

Housing material	Polyamide
halogen free	yes
Contact material	CuZn
Fire load	0.152 kWh
Insulation components continuous temperature	100 °C
Surface finish	Silver-plated

### Classification

ECLASS 11	
ECLASS 8.1	27440603
ETIM 7.0	EC002567
ETIM 6.0	EC002567
ETIM 5.0	EC002567
ETIM 4.0	EC002567

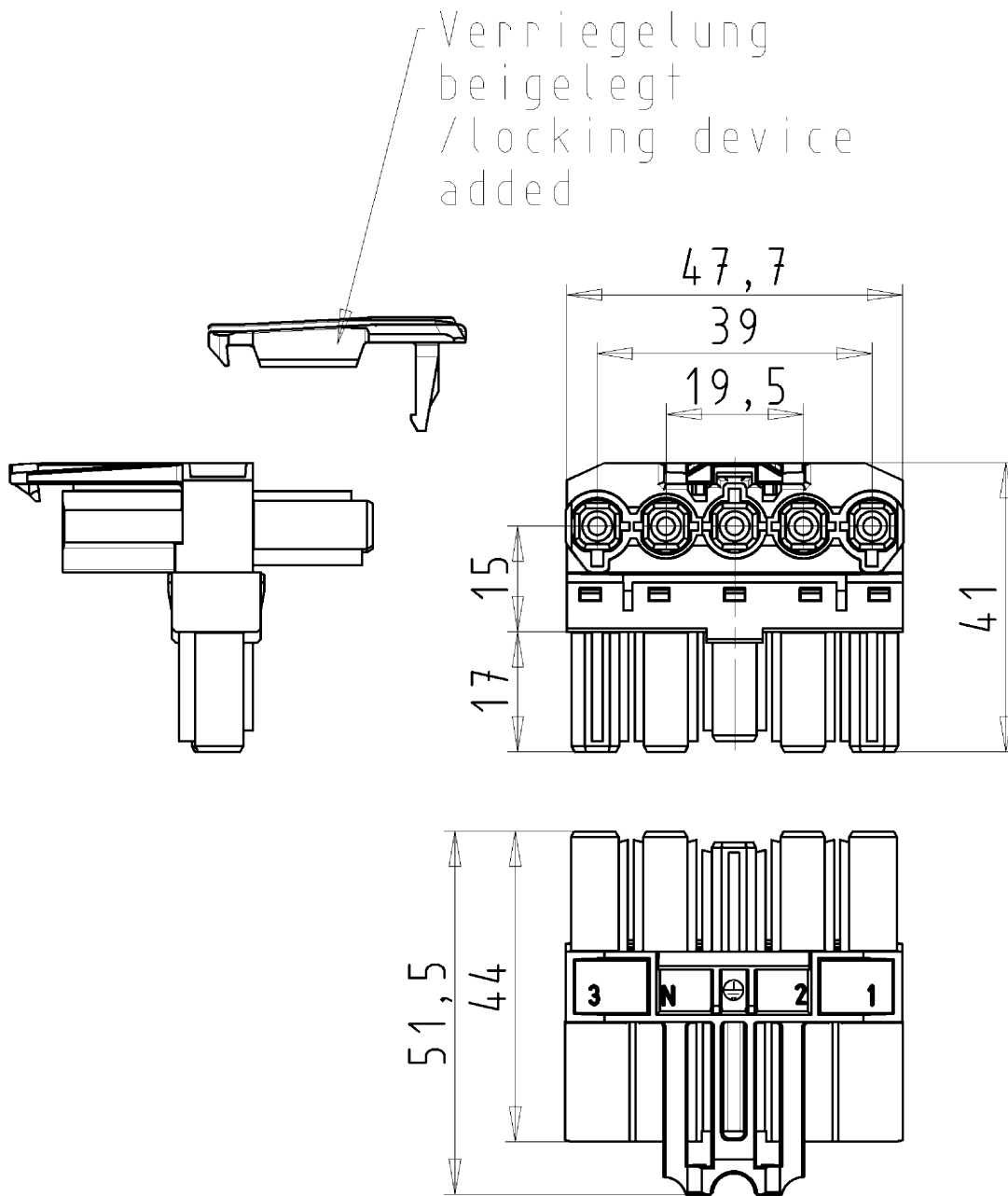
### Dimensions

Length	44 mm
--------	-------

Width	47.7 mm
Height	43 mm

## Accessories

Commercial Art.No.:	Article-type description:	Description:
05.588.5753.0	Lock GST18 VERTEILER WS	Locking device for distributor GST18i3-5, retrofit part, white
05.588.5753.1	Locking slide GST18 VERTEILER SW	Locking device for distributor GST18i3-5, retrofit part, black
05.564.5353.0	cover cap GST18i3/4/5 SW	Cover piece 12 pole black for female parts GST18i3-6
05.564.5353.2	cover cap GST18i3/4/5 WS	Cover piece 12 pole white for female parts GST18i3-6
05.566.9253.0	cover cap GST18i5 BUCHSEN	Cover for female connectors GST18i5, black



Weitergabe sowie Vervielfältigung dieses Dokuments, Verwertung und Mitteilung seines Inhalts sind verboten, soweit nicht ausdrücklich gestattet. Die Reproduktion, Distribution und Utilization of this document as well as the communication of its contents to others without express authorization is prohibited.

VERTEILER  
99.470.5772.2 10W  
14.11.2013 SCJ  
M1:1