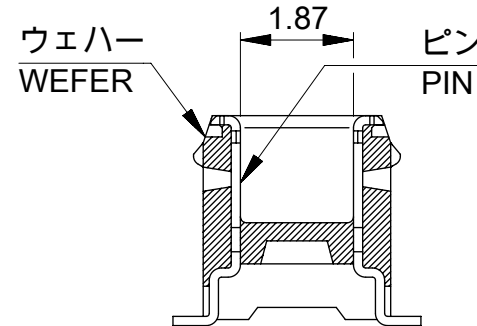
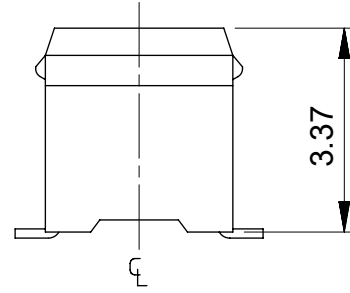
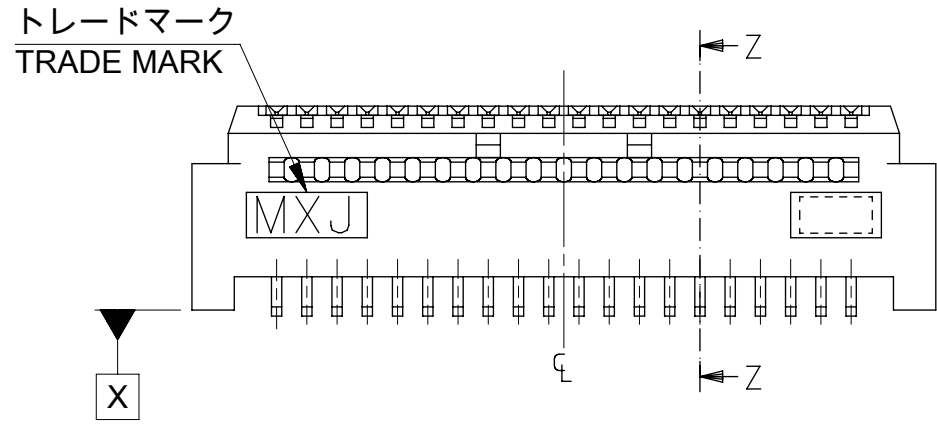
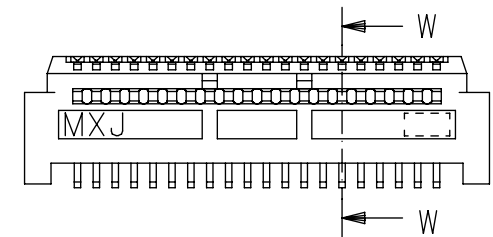


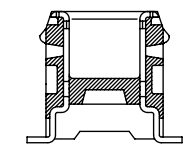
参考基板レイアウト (マウント面)  
P.C.BOARD PATTERN  
DIMENSION. (REF.)  
(MOUNTING AREA)



SECT.Z-Z



60極品以上形状図  
SHAPE OF OVER 60CKT.



SECT.W-W

- 注記 NOTES:
1. 使用材料 MATERIAL  
ハウジング : LCPガラス入り (黒), UL94V-0  
HOUSING : LCP(G.F.)(COLOR : BLACK), UL94V-0  
ピン : 黄銅 (t=0.15)  
PIN: BRASS (t=0.15)
  2. メッキ仕様 PLATING  
全体仕上げ : 金メッキ 0.1 MICROMETER MIN.  
ALL OVER : GOLD 0.1 MICROMETER MIN.  
下地メッキ : ニッケルメッキ 1.5 MICROMETER MIN.  
UNDER PLATING : NICKEL 1.5 MICROMETER MIN.
  3. 基準面 X からのソルダーテールの半田付け面のズレ量は、上方向 0 下方向 0.15MAX.とする。  
MISALIGNMENT OF SOLDER TAIL FROM X  
: UPPER DIRECTION 0, LOWER DIRECTION 0.15 MAX.  
4. (全極数/2) = 偶数の場合に適用。  
APPLY FOR (CIRCUIT/2)=EVEN.
  5. 嵌合相手 : 52991シリーズ (嵌合高さ = 4mm)、54167シリーズ (嵌合高さ = 4mm)  
MATE WITH: 52991 SERIES (HEIGHT = 4mm), AND 54167 SERIES (HEIGHT = 4mm)
  6. テール平坦度は、0.1MAX.  
TAIL COPLANARITY TO BE 0.1MAX.

20.24	19.5	22.3	53916-0808	80
10.24	9.5	12.3	53916-0408	40
7.74	7.0	9.8	53916-0308	30
5.24	4.5	7.3	53916-0208	20
C	B	A	EMBOSSED TAPE	極数 CIRCUIT
			ORDER No.	
CONNECTOR SERIES No.			53916-***1	

THIS DRAWING CONTAINS INFORMATION THAT IS PROPRIETARY TO MOLEX ELECTRONIC TECHNOLOGIES, LLC AND SHOULD NOT BE USED WITHOUT WRITTEN PERMISSION

DIMENSION UNITS: mm SCALE: ---

GENERAL TOLERANCES (UNLESS SPECIFIED):

10 <sup>UNDER</sup>	±0.2
10 <sup>OVER</sup> 30 <sup>UNDER</sup>	±0.25
30 <sup>OVER</sup>	±0.3

ANGULAR TOL ± 30°

4 PLACES ± 0.2

3 PLACES ± 0.25

2 PLACES ± 0.3

1 PLACE ±

0 PLACES ±

ANGULAR ± 3°

DRAFT WHERE APPLICABLE MUST REMAIN WITHIN DIMENSIONS

THIRD ANGLE PROJECTION

DRAWING: A3-SIZE

SERIES: 53916

MATERIAL NUMBER: SEE TABLE

CUSTOMER: GENERAL

SHEET NUMBER: 1 OF 2

EC NO: 642297  
DRWN: SSKIM05  
CHK'D: HSHIMOYAMA  
APPR: SHOSHIKAWA

2019/05/30  
2020/11/30  
2020/11/30

INITIAL REVISION:  
DRWN: S. A I HARA  
APPR: M. SASAO

1996/11/28  
2001/12/26

DOCUMENT NUMBER: SD-53916-001

DOC TYPE: PSD

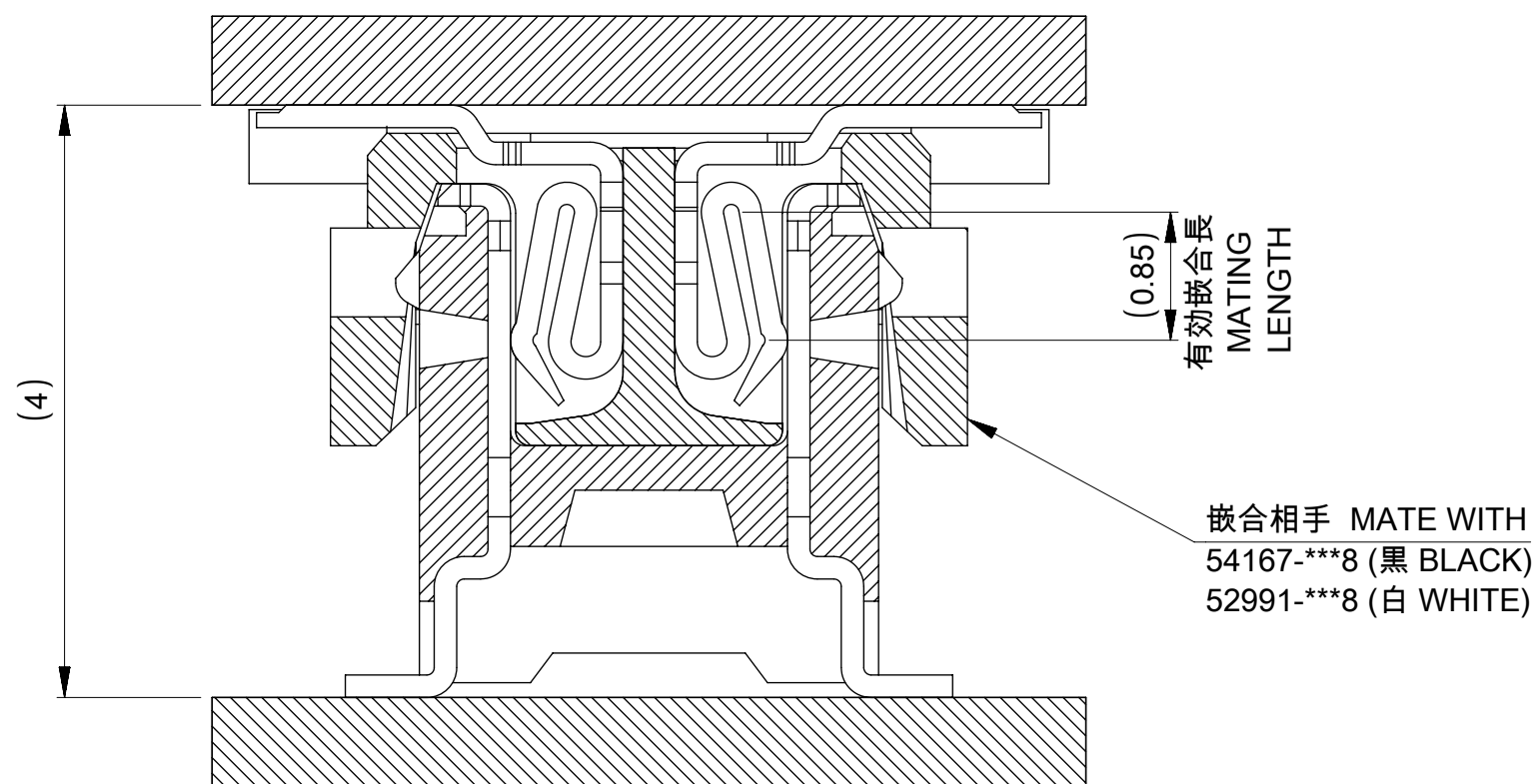
DOC PART: 001

REVISION: D

**molex**

0.5 MM PITCH B-TO-B CONN.  
HEIGHT = 4 PLUG

PRODUCT CUSTOMER DRAWING



(0.85)  
有効嵌合長  
MATING  
LENGTH

嵌合相手 MATE WITH  
54167-\*\*\*8 (黒 BLACK)  
52991-\*\*\*8 (白 WHITE)

嵌合断面図 (参考)  
MATED DRAWING (REF.)

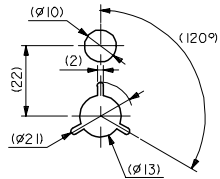
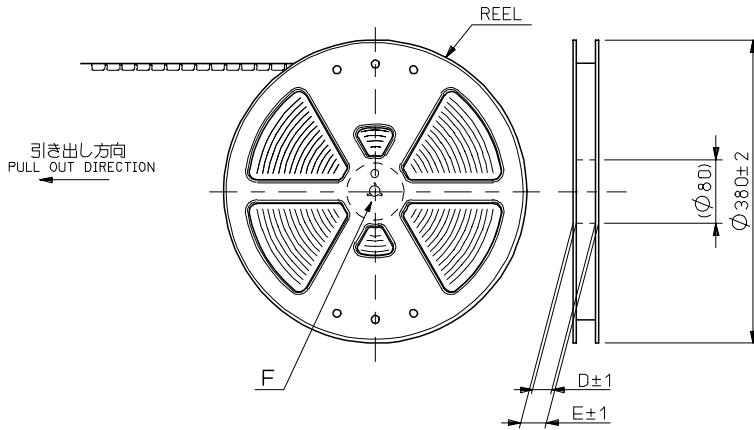
THIS DRAWING CONTAINS INFORMATION THAT IS PROPRIETARY TO MOLEX ELECTRONIC TECHNOLOGIES, LLC AND SHOULD NOT BE USED WITHOUT WRITTEN PERMISSION

DIMENSION UNITS	SCALE	CURRENT REV DESC: REVISED		<b>molex</b>		
mm	---					
GENERAL TOLERANCES (UNLESS SPECIFIED)		GENERAL TOLERANCES (UNLESS SPECIFIED)		0.5 MM PITCH B-TO-B CONN. HEIGHT = 4 PLUG		
ANGULAR TOL ± 30°		ANGULAR TOL ± 30°		PRODUCT CUSTOMER DRAWING		
4 PLACES ± 0.2		4 PLACES ± 0.2		EC NO: 642297		
3 PLACES ± 0.25		3 PLACES ± 0.25		DRWN: SSKIM05 2019/05/30		
2 PLACES ± 0.3		2 PLACES ± 0.3		CHK'D: HSHIMUYAMA 2020/11/30		
1 PLACE ±		1 PLACE ±		APPR: SHOSHIKAWA 2020/11/30		
0 PLACES ±		0 PLACES ±		INITIAL REVISION:		
DRAFT WHERE APPLICABLE MUST REMAIN WITHIN DIMENSIONS		DRAFT WHERE APPLICABLE MUST REMAIN WITHIN DIMENSIONS		DRWN: S. A I HARA 1996/11/28		
				APPR: M. SASAO 2001/12/26		
		THIRD ANGLE PROJECTION		DOCUMENT NUMBER		
		DRAWING		SD-53916-001		
		SERIES		DOC TYPE DOC PART REVISION		
		A3-SIZE		PSD 001 D		
		53916		MATERIAL NUMBER		
		SEE SHEET 1		CUSTOMER		
		GENERAL		SHEET NUMBER		
		2 OF 2				

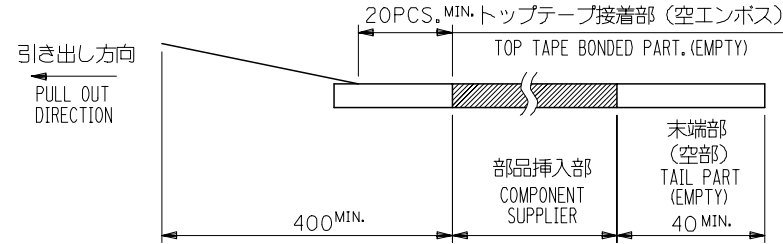
DOCUMENT STATUS	P1	RELEASE DATE	2020/11/30	03:37:36
-----------------	----	--------------	------------	----------

NOTES

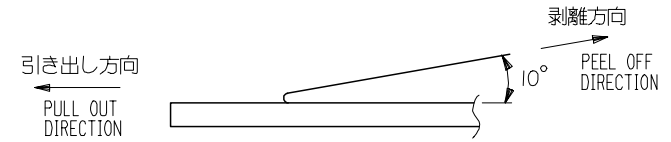
- 製品詳細寸法については図面 SD-53916-001 を参照下さい。  
RE DETAILED DIMENSION, SEE SD-53916-001
- 梱包数量：1500個/リール  
NUMBER OF CONNECTORS：1500PCS/REEL
- リードテープ長さ LEAD TAPE LENGTH



DETAIL F



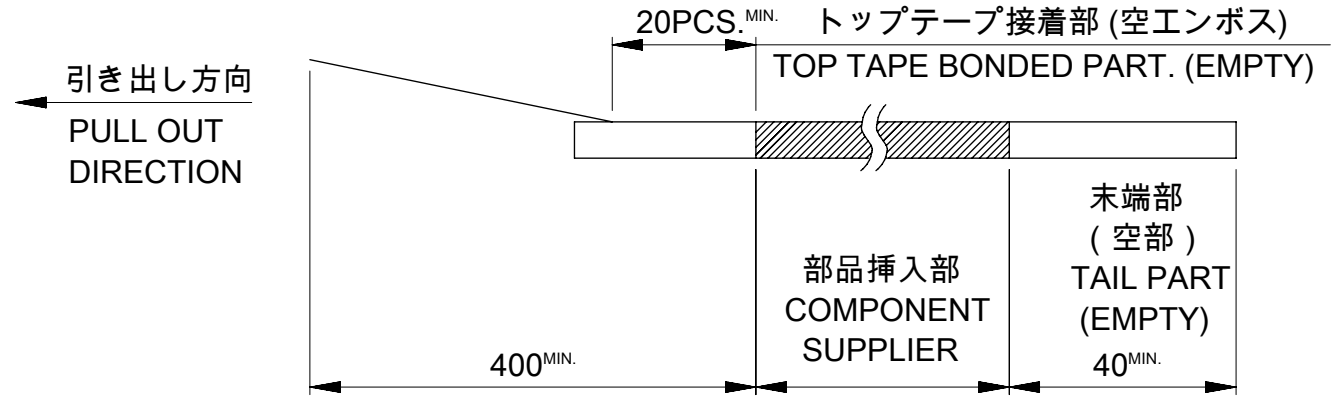
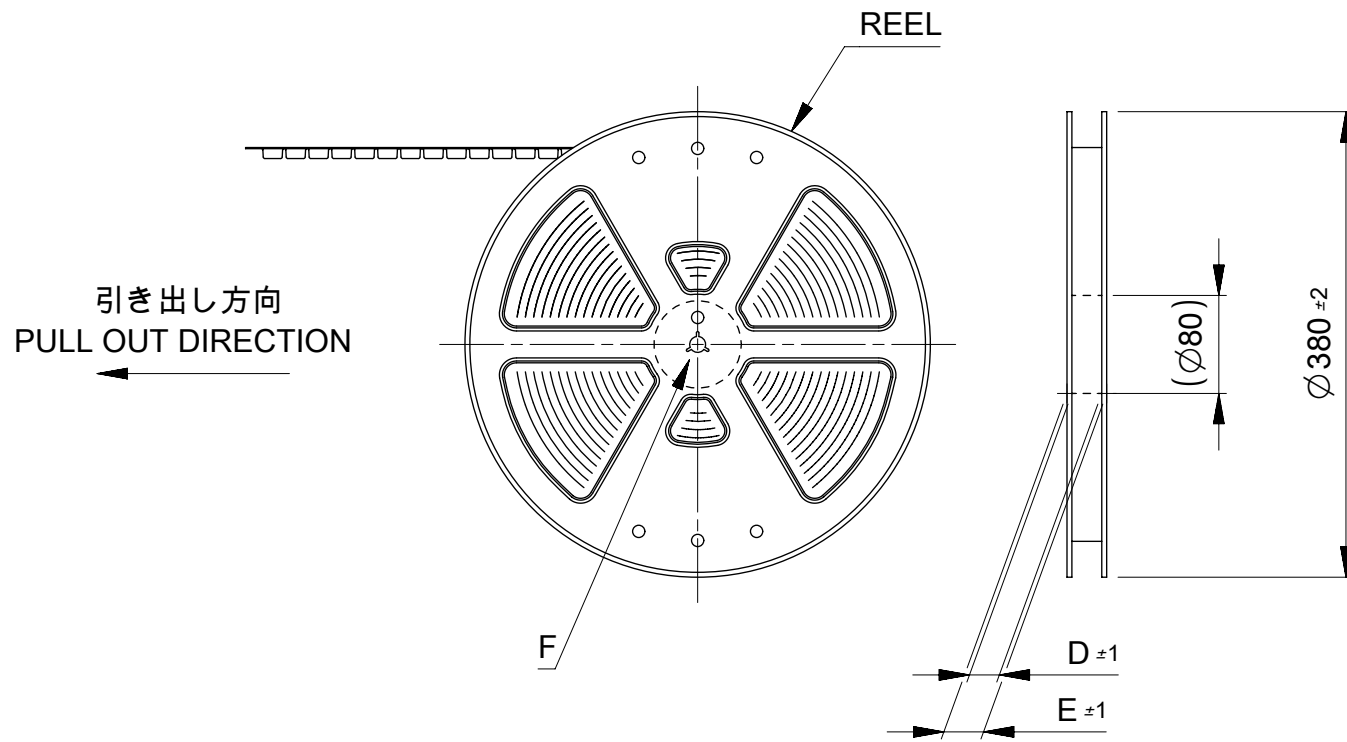
- トップテープの剥離強度：0.1N~1.3N (10gf~130gf) (剥離方向は下図参照) 尚、本規格値は出荷時に適用。(但し、輸送時に剥離が発生しないこと。)  
PEELING OFF FORCE OF TOP TAPE：0.1N~1.3N (10gf~130gf)  
(PEELING DIRECTION AS SHOWN IN FOLLOWING FIG.)  
THIS REQUIREMENT SHOULD BE APPLIED AT SHIPMENT.  
PEEL OFF SHOULD NOT BE ALLOWED, DURING TRANSPORTATION.



- 材料(MATERIAL)  
キャリアテープ(CARRIER TAPE)：ポリプロピレン(POLYPROPYLENE)  
トップテープ(TOPTAPE)：PET, PE, PEF  
リール(REEL)：ポリスチレン(P.S) <リサイクル材を含む>  
POLYSTYRENE(PS) <RECYCLE MATERIAL CONTAINED>

53916-\*\*\*8 MODEL NO.

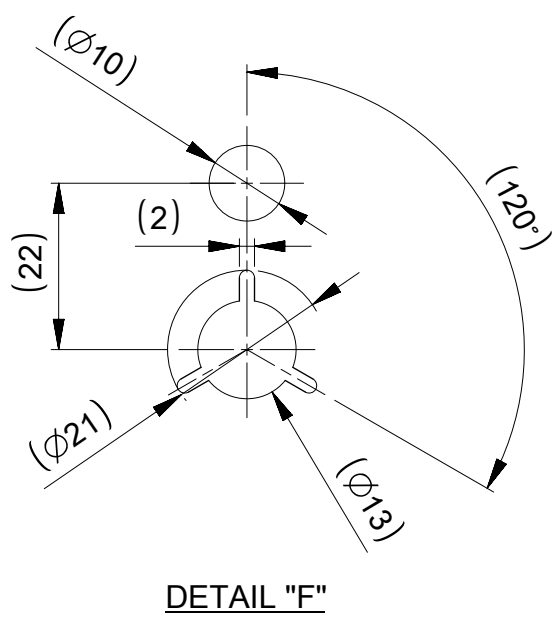
REVISED EC NO: J2006-0604 DRW:NNAIDA 2005/08/31 CHKD:KTOYODA 2005/09/01 APPR:NUKITA 2005/09/09	GENERAL TOLERANCES (UNLESS SPECIFIED)		DIMENSION STYLE MM ONLY	SCALE ---	DESIGN UNITS METRIC	THIRD ANGLE PROJECTION
	10 UNDER	±0.2	DRAWN BY S.AIHARA	DATE '96/11/27	TITLE 0.5 B/B CONN PLUG ASSY EMBSTP PKG -LEAD FREE-	
	10 OVER 30 UNDER	±0.25	CHECKED BY T.ITO	DATE '01/01/26	MOLEX INCORPORATED	
	30 OVER	±0.3	APPROVED BY M.FUKUSHIMA	DATE '01/01/26	DOCUMENT NO. SD-53916-002	SHEET NO. 1 OF 4
	ANGULAR	±3 °	MATERIAL NO. SEE CHART			
G	DRAFT WHERE APPLICABLE MUST REMAIN WITHIN DIMENSIONS		SIZE A3	THIS DRAWING CONTAINS INFORMATION THAT IS PROPRIETARY TO MOLEX INCORPORATED AND SHOULD NOT BE USED WITHOUT WRITTEN PERMISSION		



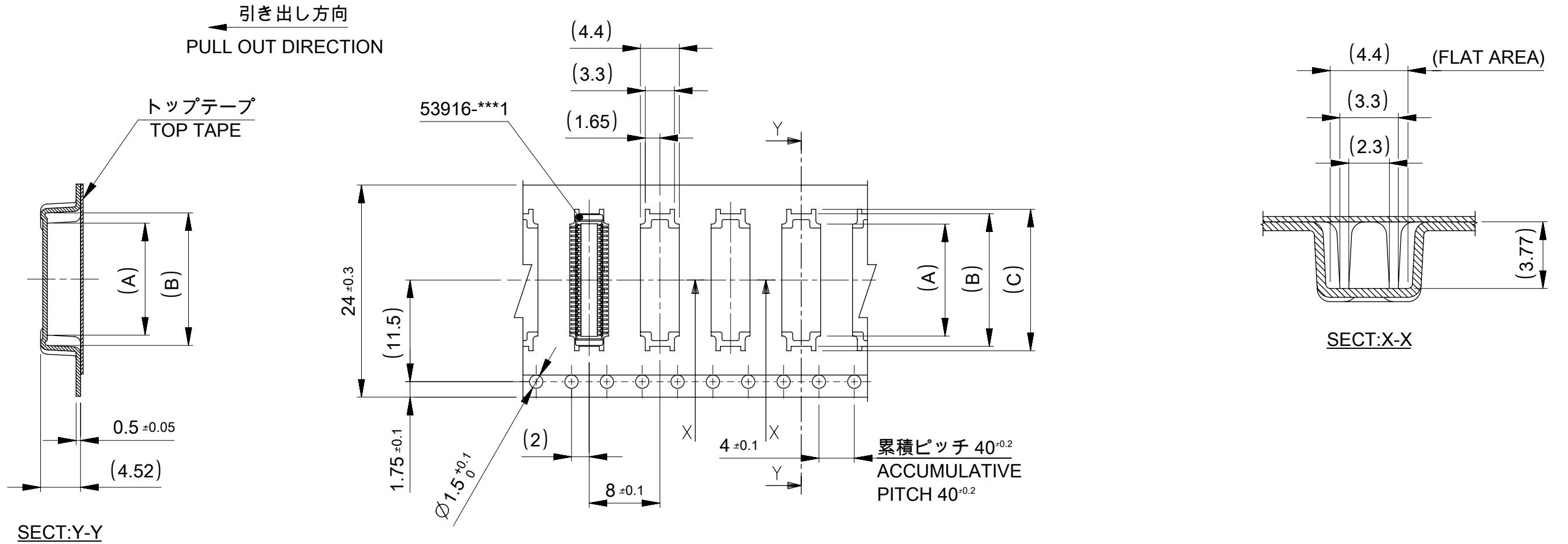
NOTES

- 製品詳細寸法については図面 SD-53916-001を参照下さい。  
DETAIL DIMENSION, SEE SD-53916-001
- 梱包数量 : 1500個 / リール  
NUMBER OF CONNECTORS : 1500PCS/REEL
- リードテープ長さ LEAD TAPE LENGTH

- カバーテープの剥離強度については、IEC60286-3に準拠  
COVER TAPE PEEL FORCE IS DEFINED BY IEC60286-3.
- 材料 ( MATERIAL )  
キャリアテープ ( CARRIER TAPE ) : ポリプロピレン ( POLYPROPYLENE )  
トップテープ ( TOPTAPE ) : PET , PE , PEF  
リール ( REEL ) : ポリスチレン ( PS ) <リサイクル材を含む>  
POLYSTYREN(PS) <RECYCLE MATERIAL CONTANED>



THIS DRAWING CONTAINS INFORMATION THAT IS PROPRIETARY TO MOLEX ELECTRONIC TECHNOLOGIES, LLC AND SHOULD NOT BE USED WITHOUT WRITTEN PERMISSION		CURRENT REV DESC: REVISED		<b>molex</b>	
GENERAL TOLERANCES (UNLESS SPECIFIED)		EC NO: 649457			
DIMENSION UNITS: mm		SCALE: ---		DRWN: SUDAYGUNAGI 2020/08/06	
ANGULAR TOL ± 30°		CHK'D: HSHIMOYAMA 2020/12/02		APPR: SHOSHIKAWA 2020/12/02	
GENERAL TOLERANCES (UNLESS SPECIFIED)		INITIAL REVISION:		DOCUMENT NUMBER	
4 PLACES ± 0.2		DRWN: S. A I HARA 1996/11/27		SD-53916-002	
3 PLACES ± 0.25		APPR: M. FUKUSHIMA 2001/01/26		DOC TYPE DOC PART REVISION	
2 PLACES ± 0.3		THIRD ANGLE PROJECTION		PSD 001 H	
1 PLACE ±		DRAWING		SERIES	
0 PLACES ±		A3-SIZE		53916	
DRAFT WHERE APPLICABLE MUST REMAIN WITHIN DIMENSIONS		MATERIAL NUMBER		CUSTOMER	
DRAFT WHERE APPLICABLE MUST REMAIN WITHIN DIMENSIONS		SEE SHEET 2-4		GENERAL	
DRAFT WHERE APPLICABLE MUST REMAIN WITHIN DIMENSIONS		SHEET NUMBER		1 OF 3	



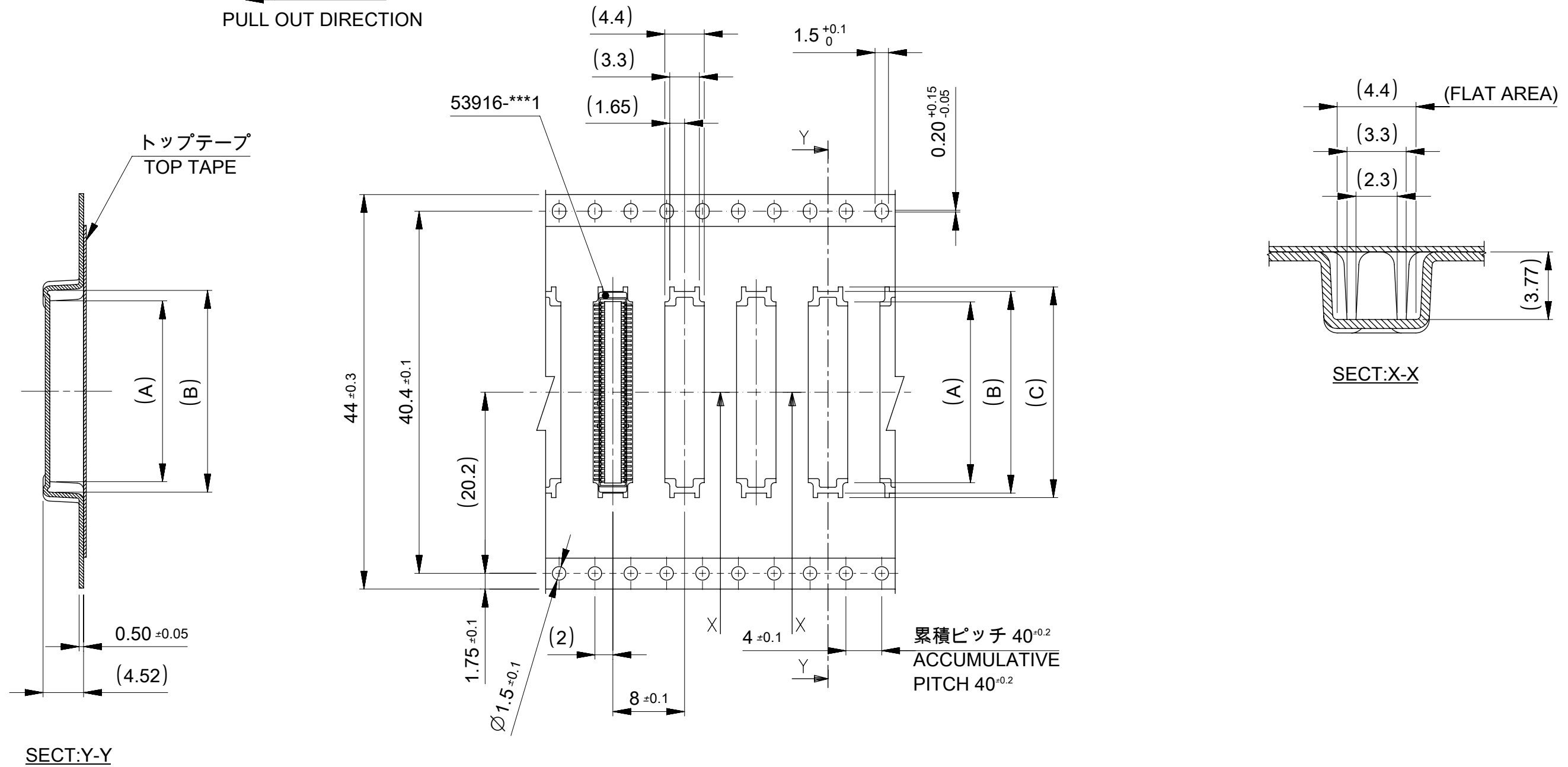
24mm 幅キャリアテープ  
24mm WIDTH CARRIER TAPE

24	29.4	25.4	13.5	12.5	10.17	53916-0408	40
			11	10	7.67	53916-0308	30
			8.5	7.5	5.17	53916-0208	20
キャリアテープ幅 CARRIER TAPE WIDTH	E	D	(C)	(B)	(A)	MATERIAL NO.	極数 CIRCUIT

THIS DRAWING CONTAINS INFORMATION THAT IS PROPRIETARY TO MOLEX ELECTRONIC TECHNOLOGIES, LLC AND SHOULD NOT BE USED WITHOUT WRITTEN PERMISSION

DIMENSION UNITS mm		SCALE ---		CURRENT REV DESC: REVISED			
GENERAL TOLERANCES (UNLESS SPECIFIED)		ANGULAR TOL ± 30°		<p><b>molex</b></p> <p>0.5 MM PITCH B-TO-B CONN. HEIGHT = 4 PLUG EMBOSS TAPE PACKAGE</p> <p>PRODUCT CUSTOMER DRAWING</p>			
10 UNDER ± 0.2		4 PLACES ± 0.2					
10 OVER 30 UNDER ± 0.25		3 PLACES ± 0.25					
30 OVER ± 0.3		2 PLACES ± 0.3					
ANGULAR ± 3°		1 PLACE ±		EC NO: 649457		2020/08/06	
DRAFT WHERE APPLICABLE MUST REMAIN WITHIN DIMENSIONS		DRAFT WHERE APPLICABLE MUST REMAIN WITHIN DIMENSIONS		DRWN: SUDAYGUNAGI		2020/12/02	
		0 PLACES ±		CHK'D: HSHIMOHAMA		2020/12/02	
				APPR: SHOSHIKAWA			
				INITIAL REVISION:		DOCUMENT NUMBER	
				DRWN: S. A I HARA		SD-53916-002	
				APPR: M. FUKUSHIMA		PSD 001 H	
				1996/11/27		DOC TYPE DOC PART REVISION	
				2001/01/26		001 H	
				THIRD ANGLE PROJECTION		MATERIAL NUMBER	
				DRAWING		CUSTOMER	
				A3-SIZE		GENERAL	
				SERIES		SHEET NUMBER	
				53916		2 OF 3	
				SEE TABLE			

引き出し方向  
PULL OUT DIRECTION



44mm 幅キャリアテープ  
44mm WIDTH CARRIER TAPE

44	49.4	45.4	23.5	22.5	20.17	53916-0808	80
キャリアテープ幅 CARRIER TAPE WIDTH	E	D	(C)	(B)	(A)	MATERIAL NO.	極数 CIRCUIT

THIS DRAWING CONTAINS INFORMATION THAT IS PROPRIETARY TO MOLEX ELECTRONIC TECHNOLOGIES, LLC AND SHOULD NOT BE USED WITHOUT WRITTEN PERMISSION		CURRENT REV DESC: REVISED		<b>molex</b>	
DIMENSION UNITS mm	SCALE ---	GENERAL TOLERANCES (UNLESS SPECIFIED)			
GENERAL TOLERANCES (UNLESS SPECIFIED)		ANGULAR TOL ± 30°		EC NO: 649457	
10 <sup>UNDER</sup>	±0.2	4 PLACES	± 0.2	DRWN: SUDAYGUNAGI	2020/08/06
10 <sup>OVER</sup> 30 <sup>UNDER</sup>	±0.25	3 PLACES	± 0.25	CHK'D: HSHIMOYAMA	2020/12/02
30 <sup>OVER</sup>	±0.3	2 PLACES	± 0.3	APPR: SHOSHIKAWA	2020/12/02
ANGULAR ±3°		1 PLACE	±	INITIAL REVISION:	
DRAFT WHERE APPLICABLE MUST REMAIN WITHIN DIMENSIONS		0 PLACES	±	DRWN: S. A I HARA	1996/11/27
		THIRD ANGLE PROJECTION		APPR: M. FUKUSHIMA	2001/01/26
		DRAWING		DOCUMENT NUMBER	
		A3-SIZE		SD-53916-002	
		SERIES		DOC TYPE	
		53916		PSD	
		MATERIAL NUMBER		DOC PART	
		SEE TABLE		001	
		CUSTOMER		REVISION	
		GENERAL		H	
		SHEET NUMBER			
		3 OF 3			