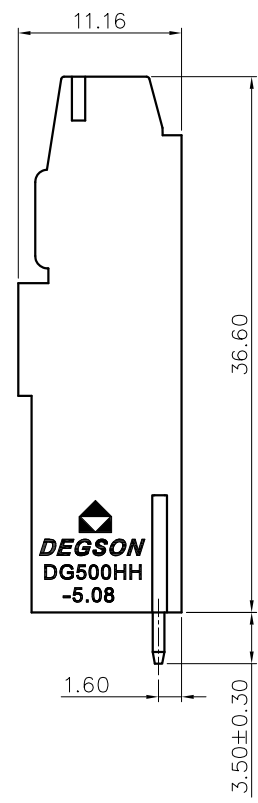
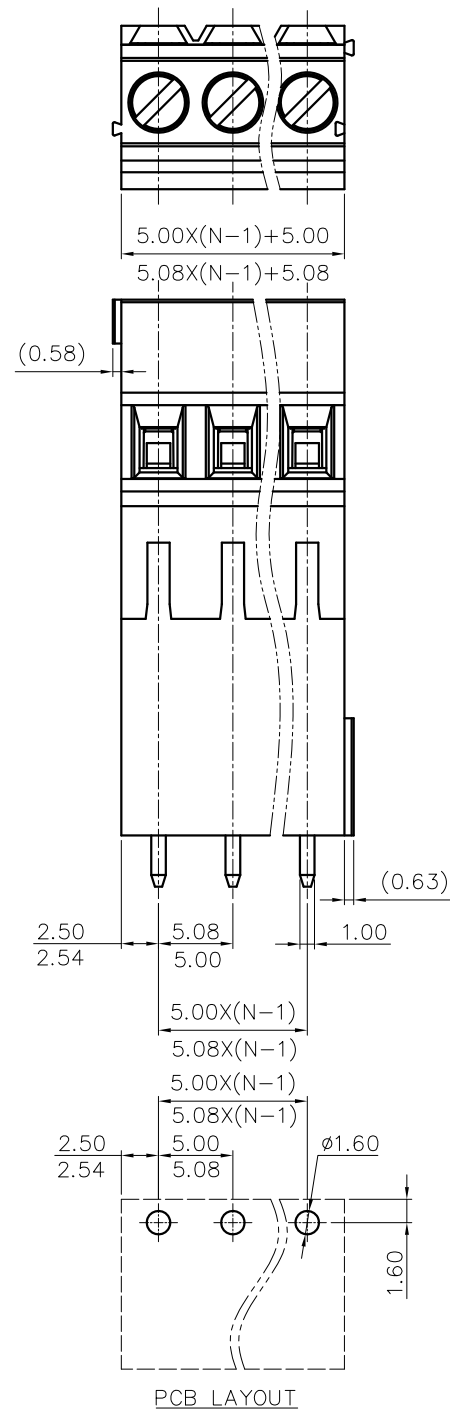
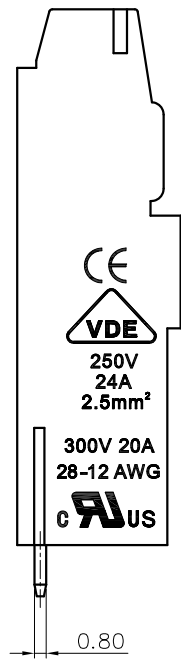


REVISION RECORD				
REV	ECN	DESCRIPTION	DRFT	DATE



- NOTES1:
- UL Standard
 - 1. Rated voltage/current : 300V / 20A
 - 2. Torque value : M2.5 , 3.54Lb.in
 - 3. Wire range : 28~12AWG
- IEC Standard
- 1. Rated Voltage/Current : 250V / 24A
 - 2. Torque value : M2.5 , 0.4N·m
 - 3. Wire range : 2.5mm²
- NOTES2:
- 1. Dimension shall be interpreted per ASME Y14.5-2009
 - 2. Pitch : 5.0/5.08mm, Poles : N=02~24P
 - 3. Stripping length : 6~7mm
 - 4. Withstanding Voltage : AC2000V/1Min.
 - 5. Operating temperature : -40°C~+105°C
 - 6. Undimensioned tolerances:

Pitch range in mm		Nominal dimension range in mm						
To	Over	To	Over	To	Over	0.1/10		
6	10	6	10	30	60	100	150	<
±0.15	±0.20	±0.30	±0.30	±0.50	±0.70	±1.00	±1.30	±2'

7. RoHS Compliance

DG500HH - 5.0/5.08 - XXP - 1Y - 00A (H)

(Series No.) (Pitch) (Poles) (Single Pitch) (RoHS) 00A--(Standard)

(Color): 1.(Grey) 2.(Blue) 3.(Black) 4.(Green) 5.(Orange) 6.(Red) 7.(Transparent) 8.(Yellow) 9.(White)

DETACHED LISTS	PART NO.:	NINGBO DEGSON ELECTRICAL CO., LTD			
	APPD:	NAME: DG500HH-5.0/5.08-XXP-1Y-00A(H)			
	CHKD:	TITLE: CUSTOMER DRAWING			
	DRFT:	DRAWING NO.:		REV	DO
THIRD ANGLE PROJECTION		DO NOT SCALE DRAWING		SHEET	1/1
		MM (INCH)	SCALE	1:1	

PCB LAYOUT