

Data sheet

Commercial Art.No.: 96.052.5053.0

Device connector RST20i5S S1 M01V GL

RST20i5 device connector M25, 5 pole, male, screw connection, application 250/400V with PE, 20A, coding color light grey



Commercial Art.No.	96.052.5053.0
EAN	4015573862234
Order Unit	1

Certificates / Approvals



LR

RINA



Technical data

General

Rated current	20 A
Rated voltage	250 V / 400 V
Pollution degree	3
Rated impulse voltage	4 kV
Lockable	self-locking (unlocking by tool)
Color of coding/ contact carrier	light grey
Marking of poles	1, 2, 3, N, PE

Connection Data

Connection cross section solid mm ² max.	4 mm ²
Connection cross section solid mm ² min.	0.75 mm ²
Connection cross section solid AWG min.	18 AWG
Connection cross section solid AWG max.	14 AWG
Connection cross section fine stranded mm ² max.	4 mm ²
Connection cross section fine stranded mm ² min.	0.75 mm ²
Terminations per pole	1
Wire strip length	8 mm
Connection cross section stranded AWG min.	18 AWG
Connection cross section stranded AWG max.	14 AWG

Model

Model	male
Connection type	screw connection
Connecting thread metric	M25

Angle of plug	straight
Degree of protection (IP)	IP66/68 (3m;2h) /IP69
Thickness of housings (electrical device) 2	0.5 mm
Thickness of housings (electrical device)	8 mm

Material

Housing material	Polyamide
halogen free	yes
Contact material	CuZn
Fire load	0.13 kWh
Insulation components continuous temperature	100 °C
Surface finish	Silver-plated

Dimensions

Length	49.4 mm
Width	35 mm
Height	35 mm

Classification

ECLASS 11	
ECLASS 8.1	27440602
ETIM 7.0	EC002566
ETIM 6.0	EC002566
ETIM 5.0	EC002566
ETIM 4.0	EC002566

Note

Note	RST® terminals with screw clamping allow the connection of conductors without special preparation (without ferrules) according to EN 60999-1.; Positioning realised with flattened thread
------	---

Product compliance

ROHS conformity status	Compliant/Exempted
ROHS exceptions	III-6(c)
REACH-SVHC conformity status	Duty-To-Declare
REACH-SVHC substances	Lead
REACH-SVHC CAS numbers	7439-92-1

Accessories

Commercial Art.No.:	Article-type description:	Description:
05.565.9953.0	Cover for male connector GL	RST20i5/4 cover piece, for covering unused male connectors, color light grey
99.531.0000.7	Cover for male connector GL	RST20i5/4 cover piece, for covering unused male connectors, with fastening belt, color light grey

Fits with

Commercial Art.No.:	Article-type description:	Description:

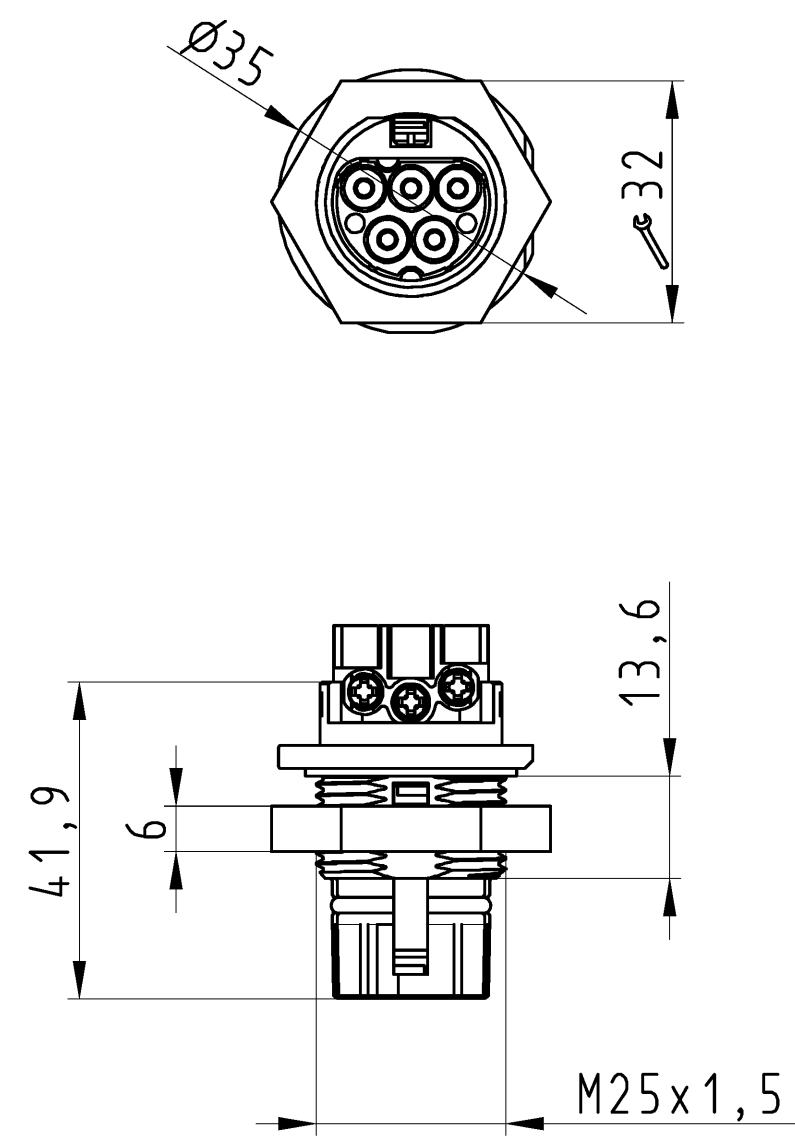
96.051.4053.0	Connector RST20I5S B1 ZR1 GL	RST20i5 connector, 5 pole, female, screw connection, application 250/400V with PE, 20A, for cable diameters 6-10mm, coding color light grey, color of housing light grey
96.051.4153.0	Connector RST20I5S B1 ZR2 GL	RST20i5 connector, 5 pole, female, screw connection, application 250/400V with PE, 20A, for cable diameters 10-14mm, coding color light grey, color of housing light grey
96.051.4553.0	Connector RST20I5S B1 ZR3 GL	RST20i5 connector, 5 pole, female, screw connection, application 250/400V with PE, 20A, for cable diameters 14-18mm, coding color light grey, color of housing light grey
96.053.4053.0	Connector RST20I5S B1 YR1 GL	RST20i5 connector (90° angled), 5 pole, female, screw connection, application 250/400V with PE, 20A, for cable diameters 6-10mm, coding color light grey, color of housing light grey
96.053.4153.0	Connector RST20I5S B1 YR2 GL	RST20i5 connector (90° angled), 5 pole, female, screw connection, application 250/400V with PE, 20A, for cable diameters 10-14mm, coding color light grey, color of housing light grey
96.051.4253.0	Connector RST20I5S B1 ZRX GL	RST20i5 splitter connector, 5 pole, female, screw connection, application 250/400V with PE, 20A, for cable diameters 6-10mm, coding color light grey, color of housing light grey
96.051.4353.0	Connector RST20I5S B1 ZRY GL	RST20i5 splitter connector, 5 pole, female, screw connection, application 250/400V with PE, 20A, for cable diameters 10-14mm, coding color light grey, color of housing light grey

These dimensions will be especially checked at delivery
Only inspection dimensions
With /E marked dimensions are only valid for internal use

Diese Maße werden bei Abnahme besonders geprüft
Ausschließlich Prüfmaße
Mit /E gekennzeichnete Maße sind nur für interne Zwecke gültig

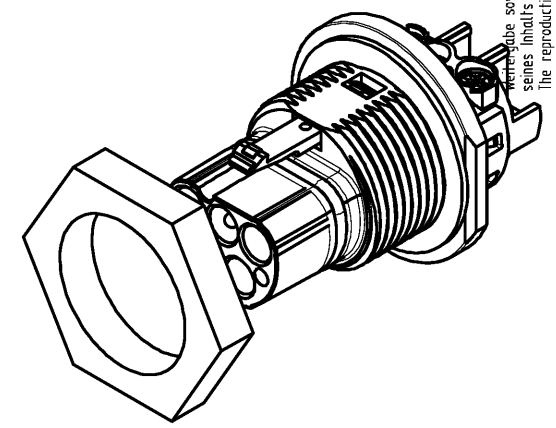
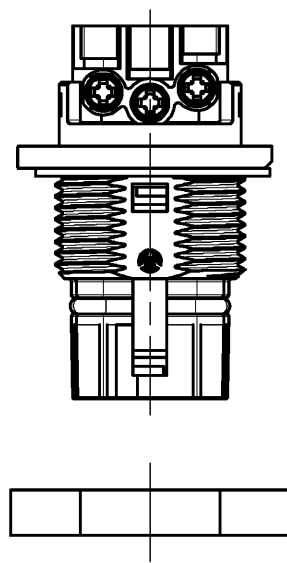
These dimensions will be especially checked at delivery
Only inspection dimensions
With /E marked dimensions are only valid for internal use

These dimensions will be especially checked at delivery
Only inspection dimensions
With /E marked dimensions are only valid for internal use



Öffnungsbild siehe 96.031.1053.1 14K
opening dimension see 96.031.1053.1 14K

Auslieferungszustand
delivery status



Verpackungseinheit: je 100 Stück
packaging unit: per 100

96.052.5053.1	RST2015S S1 M01V SW	schwarz /black
96.052.5053.0	RST2015S S1 M01V GL	lichtgrau /lightgrey
Bestellnummer /Order number	Typ /Type	Farbe /color
Weitere Daten siehe KATALOG oder eKatalog. Additional data see CATALOG or eCatalog.		www.wieland-electric.com eshop.wieland-electric.com

Tolerierung Size ISO 14405(®)/Tolerance system Size ISO 14405(®). (This ISO-standard describes the envelope principle. According to the envelope principle the deviations of form and parallelism are limited by the size tolerances).		ja/yes <input checked="" type="checkbox"/> Stoffverbots- und Deklarationsliste nach WN 5020.010 ist einzuhalten. Conformity with Wieland document WN 5020.010 e (list of prohibited / declarable hazardous substances) to be declared!	
Freitoleranz nach General tolerance		CAD - Zeichnung, keine manuellen Änderungen CAD - drawing, no manual modifications allowed	1.Verwendung: - First Use:
Blatt: 1 von 1 Sheet: of 1		Zeichnung Nr./Drawing No.	
Index		Date / Blatt Date / Sheet	
Änderung/Revision		Date / Blatt Date / Sheet	
Werkstoff/Material		2015 Tag/Date	Name
Maßstab/Scale		gezeichnet drawn	10.07. Nagengast F.
1:1		geprüft checked	-
Vol. mm³ Of l./Surf. mm²		Normgepr. Stand. check	-
Ersatz für/Replacement for: -		Maße in mm/Dimensions are in mm	
www.wieland-electric.com		Type	Benennung/Title
www.wieland-electric.com		STECKERTEIL male connector	

Verwendung sowie Vervielfältigung dieses Dokuments, Verwertung und Mitteilung seines Inhalts sind verboten, soweit nicht ausdrücklich gestattet. Die Reproduktion, Distribution und Nutzung dieses Dokuments sowie die Kommunikation der Inhalte an Dritte ohne schriftliche Genehmigung ist ausdrücklich untersagt.