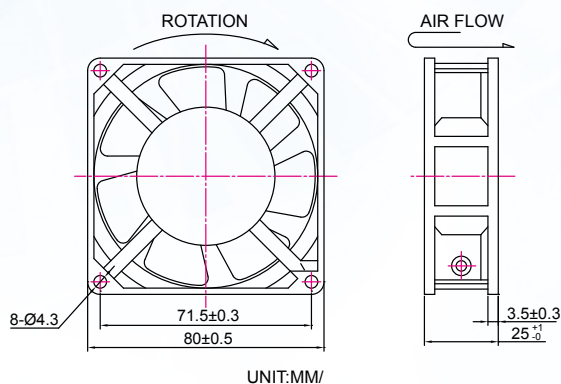


## 8025 【80x80x25 mm】



## AC Fan Series

### Dimensions Drawing



### Specifications

Model	Bearing Type	Rated Voltage	Frequency	Rated Current	Power Consumption	Speed Reference	Air Flow		Static Pressure		Noise	Weight
		VAC	Hz	AMP	Watts	RPM	m3/min	CFM	mmH2O	Inch-H2O		
EC8025A1HBX	Ball	115	60	0.15	13	2300	0.51	18	2.3	0.091	24	260
EC8025A1HSX	Sleeve											
EC8025A2HBX	Ball	220/240	50	0.08	14	2200	0.48	17	2.0	0.079	23	260
EC8025A2HSX	Sleeve											

- ▶ X mean : T-Terminal / L - Lead wire
- ▶ Frequency(Hz) : 50 / 60
- ▶ Insulation Resistance : AC 1500V-100MΩ
- ▶ Resist Strength : 1500V/min