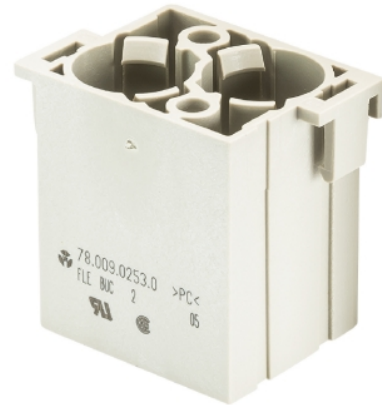


Data sheet

Commercial Art.No.: 78.009.0253.0

Modular insert FLE BUC 2 05

Modular connector system 2 pole female insert, 50V/10A, crimp connection



Commercial Art.No.	78.009.0253.0
EAN	4049088253065
Order Unit	1

Certificates / Approvals



Technical data

General

Model	Female insert
Inflammability class of insulation material acc. with UL94	V0
Pollution degree	3
Modular version	yes
Operating temperature range min.	-40 °C
Operating temperature range max.	70 °C

Connection Data

Connection type	Crimp
Number of poles	1
With wire protection	No

Technical Data UL/CSA

Min. conductor cross section flexible wire	0.14 mm ²
Max. conductor cross section flexible wire	2.5 mm ²

Model

With housing	No
--------------	----

Contacts

Contact material	See contacts
------------------	--------------

Surface	See contacts
---------	--------------

Technical Data DIN EN 61984

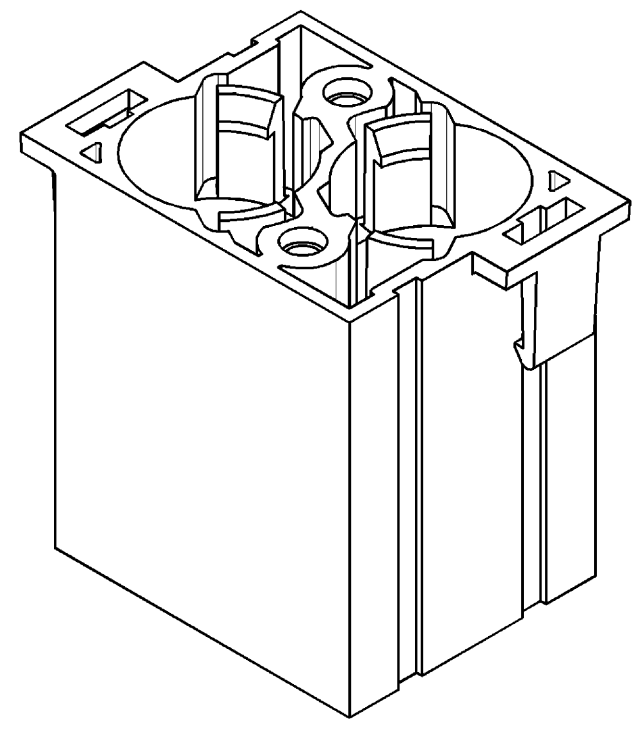
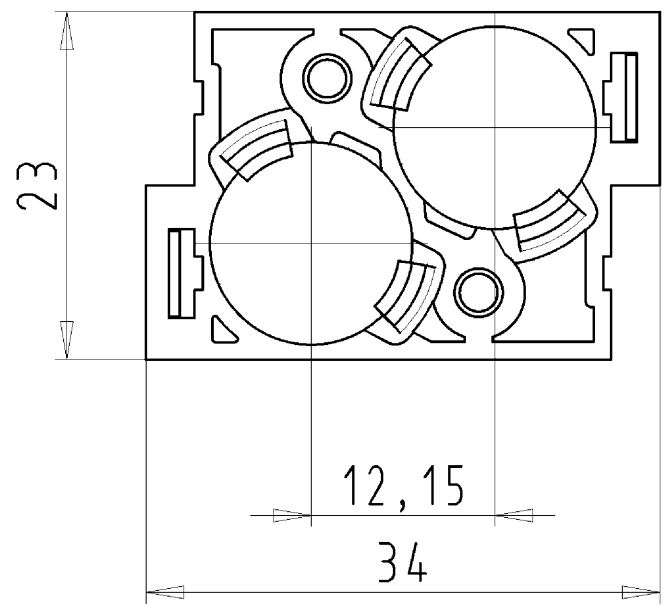
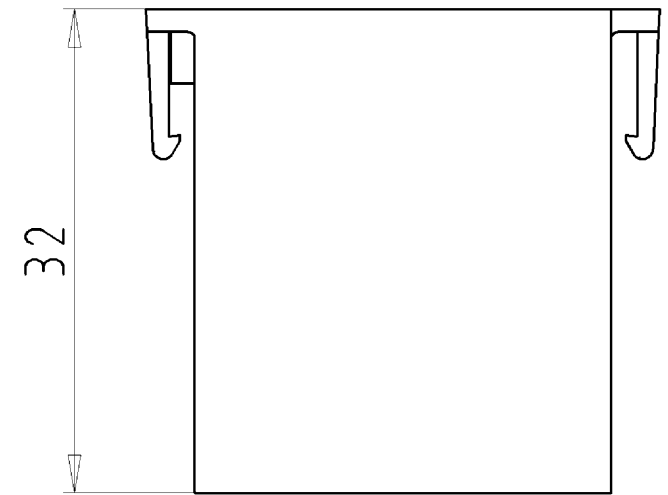
Nominal voltage	50 V
Nominal current	10 A
Rated impulse voltage	0.8 kV

Classification

ECLASS 11	
ECLASS 8.1	27440205
ETIM 7.0	EC000438
ETIM 6.0	EC000438
ETIM 5.0	EC000438
ETIM 4.0	EC000438

These dimensions will be especially checked at delivery
 Only inspection dimensions
 With /F marked dimensions are only valid for internal use

Diese Maße werden bei Abnahme besonders geprüft
 Ausschließlich Prüfmaße
 Mit /F gekennzeichnete Maße sind nur für interne Zwecke gültig



Zubehör/accessories:
 Z5.566.5956.0
 02.125.41-4529.7
 02.125.41-4529.8

78.009.0253.0	FLE BUC	2	05		X
Bestellnummer /Order number	Typ /Type	Varianten /Variants		der- gestellt /drawed	
Weitere Daten siehe KATALOG oder eKatalog. Additional data see CATALOG or eCatalog.				www.wieland-electric.com eshop.wieland-electric.com	

Tolerierung Size ISO 14405 (T) / Tolerance system Size ISO 14405 (T). (This ISO-standard describes the envelope principle. According to the envelope principle the deviations of form and parallelism are limited by the size tolerances).				ja/yes <input checked="" type="checkbox"/> Stoffverbots- und Deklarationsliste nach UU-TQM-05/03 ist einzuhalten. Conformity with Wieland document UU-TQM-05/03 (list of prohibited / declarable hazardous substances) to be declared!			
Freitoleranz nach General tolerance		CAD - Zeichnung, keine manuellen Änderungen CAD - drawing, no manual modifications allowed		1. Verwendung: - First Use:		Blatt: 1 von 1 Sheet: of 1	
		Werkstoff/Material		2014 Tag/Date Name		Zeichnung Nr./Drawing No.	
				gezeichnet drawn 13.03. Dvetsch		78.009.0253.0 13K	
		Maßstab/Scale		geprüft checked - -		Index	
		2:1		Normgepr. Stand. check - -		Maße in mm/Dimensions are in mm	
		Vol. mm ³ Ofl./Surf. mm ²		Ersatz für/Replacement for: -			
		www.wieland-electric.com		Type		Benennung/Tittle	
Index Datum / Blatt Date / Sheet						MODULAR INSERTS MODULE INSATZ	
Änderung/Revision						Buchsentteil/female connector	

Weitergabe sowie Vervielfältigung dieses Dokuments, Verwertung und Mitteilung seines Inhalts sind verboten, soweit nicht ausdrücklich gestattet.
 The reproduction, distribution and utilization of this document as well as the communication of its contents to others without express authorization is prohibited.

780090253013K_2_CADW3027 Dvetsch 2014-03-13 10:56:49 1.000