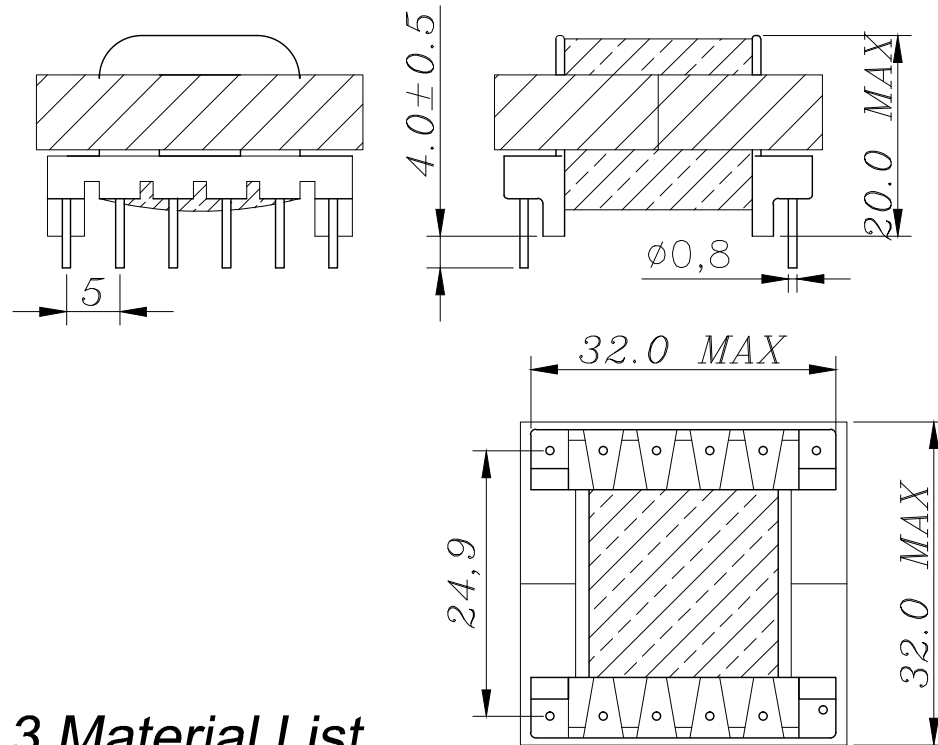
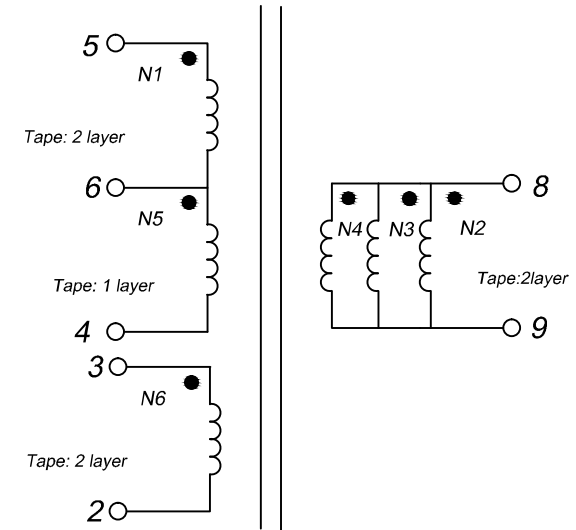


CUSTOMER TERMINAL	ROHS	Lead (Pb) -free
	YES	YES

### 1. Mechanical Dimensions (Unit:mm)



### 2. Schematic Diagram



### 3. Material List

Core: FW40-EE30  
 Bobbin: EE30 6+6PIN  
 Wire: 2UEW  
 Tapes: JY25-A1  
 Vranish: T4260GK

### 4. Electrical Specification

Inductance: L(5-4)=750uH±5% 100KHZ 1.0V  
 Hi-pot: N1,N5 to N6 AC 50HZ 1000V2mA3SEC  
 P to S AC 50HZ 3000V2mA3SEC  
 S to CORE AC 50HZ 1500V2mA3SEC

REV.	DATE	 Convention Placement	DRW.	Drawing Title: <b>TRANSFORMER</b> Customer P/N:	Part No:
0	04/15		CHK.		FWPT EE30H 751J
<b>RoHS</b>		www.ferriwo.com	APP.		Specification Sheet 1 of 1