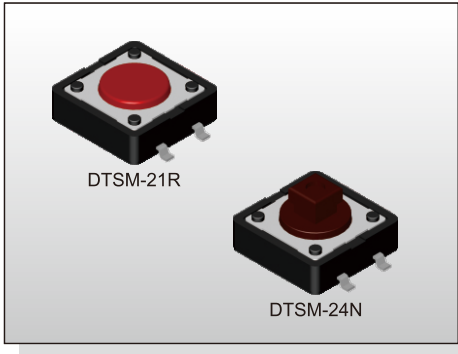


TACT SWITCH DTSM-2 SERIES

12x12
Surface Mounting Type



FEATURES

- ※High reliable metal contacts
- ※Reflow solderable
- ※Cap options

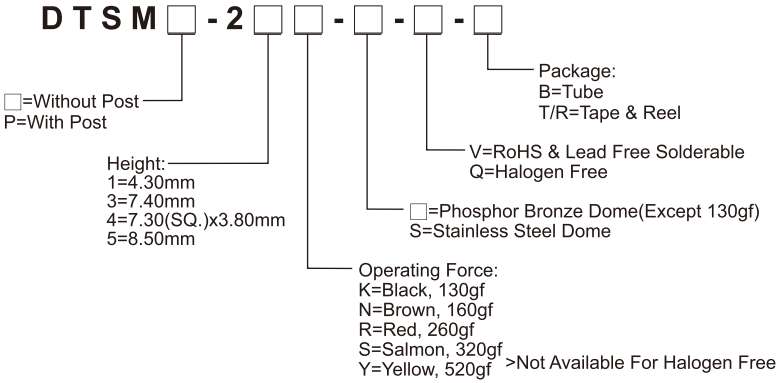
APPLICATION

- ※Audio, OA equipment
- ※Instrumentation
- ※Industrial

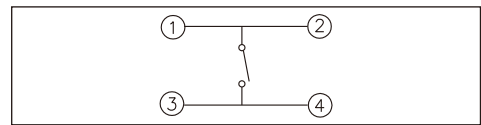
SPECIFICATION

Contact Rating	50mA, 12V DC
Contact Resistance	100mΩ max.
Insulation Resistance	100MΩ min. 500V DC
Dielectric Strength	250V AC/1 minute
Operating Force	130±50gf, Black(K) 160±50gf, Brown(N) 260±50gf, Red(R) 320±80gf, Salmon(S) 520±130gf, Yellow(Y)
Travel	0.35mm
Operating Life	Phosphor Bronze Dome 100,000 cycles for 520/320/260gf 200,000 cycles for 160gf Stainless Steel Dome 300,000 cycles for 520/320gf 500,000 cycles for 260gf 1,000,000 cycles for 160gf 10,000,000 cycles for 130gf
Operating Temp.	-25°C ~ +70°C
Storage Temp.	-30°C ~ +80°C

HOW TO ORDER



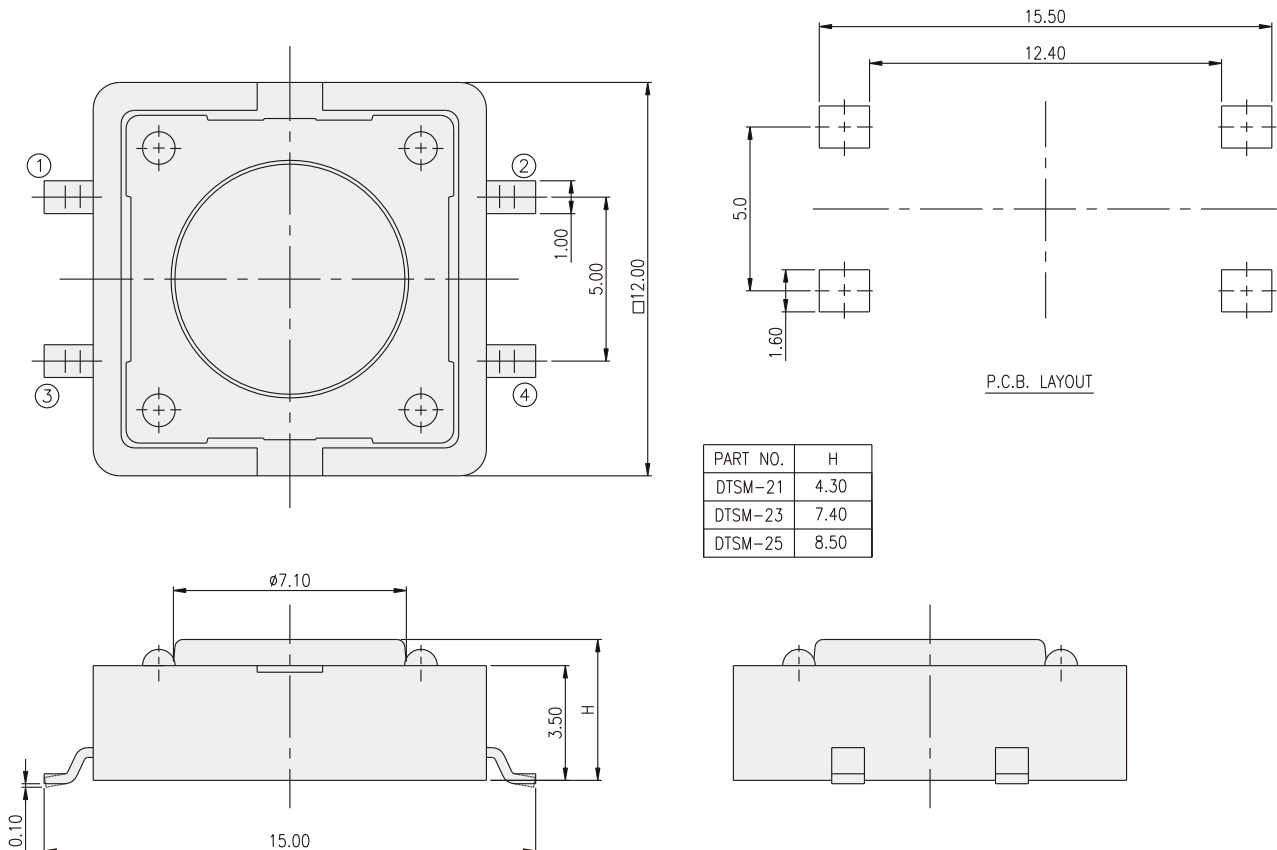
CIRCUIT



PACKAGE

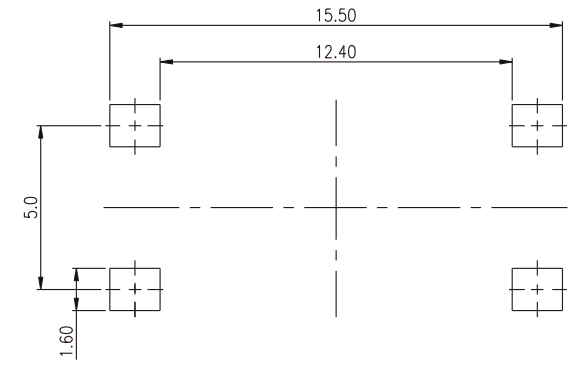
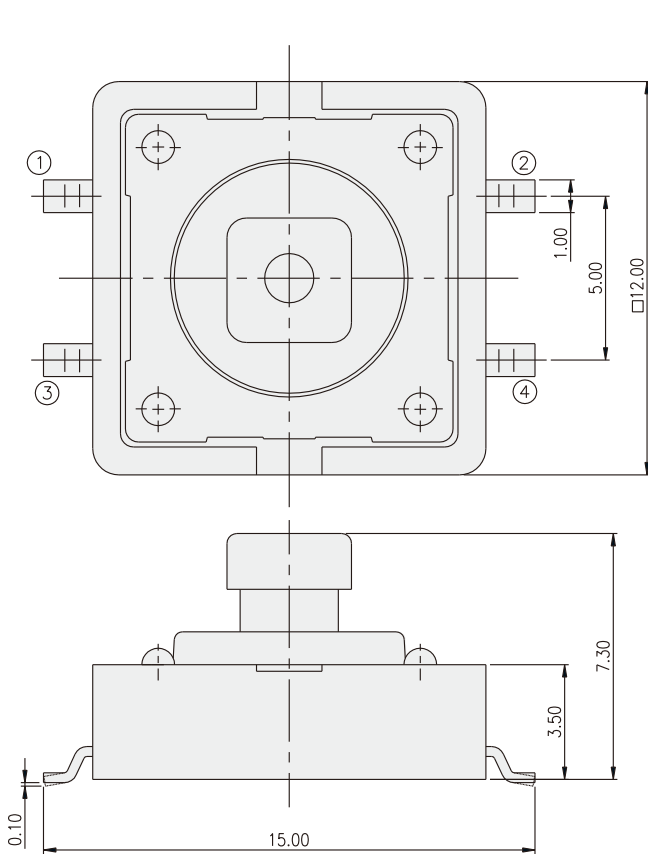
<Tube> DTSM-2: 40 pcs DTSM-21: 700 pcs DTSM(P)-23, 24: 500 pcs DTSM(P)-25: 400 pcs	<Bag> DTSMP-21: 500 pcs
---	---

DTSM-2

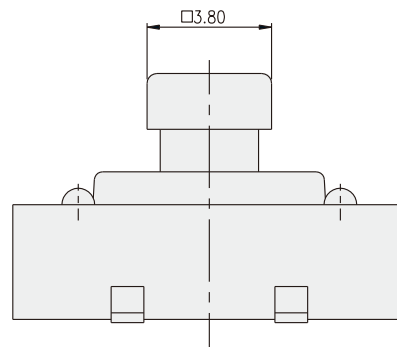


TACT SWITCH

DTSM-24

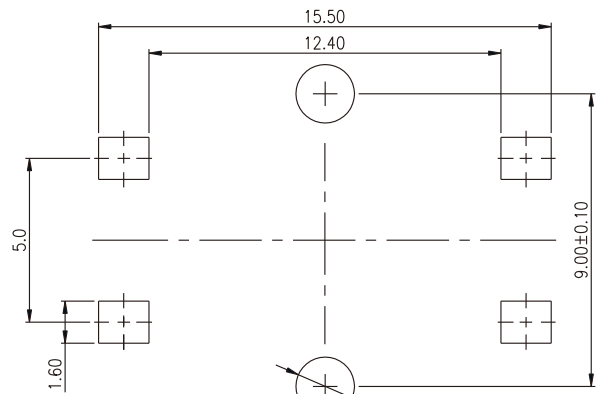
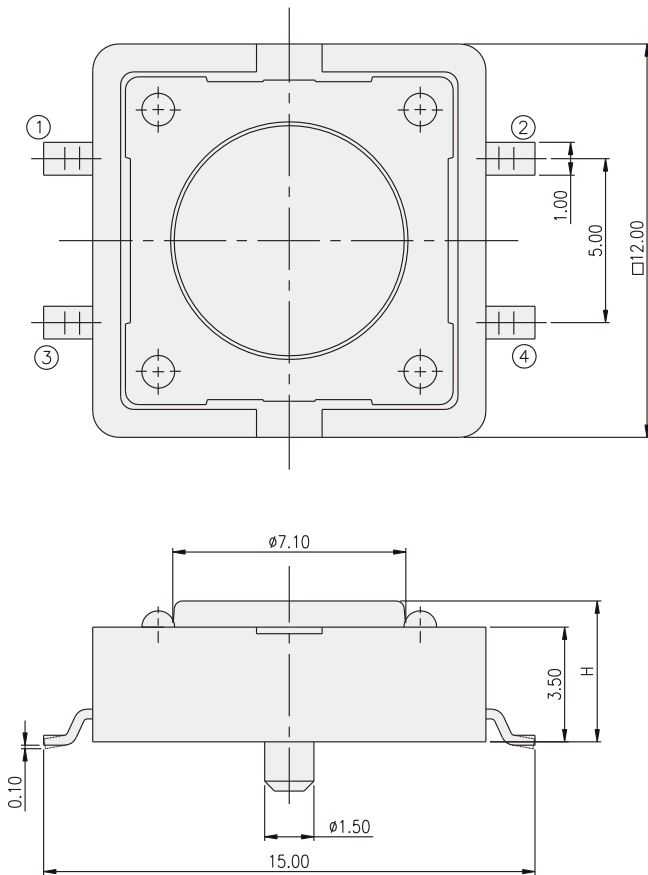


P.C.B. LAYOUT



TACT SWITCH

DTSM-2



P.C.B. LAYOUT

PART NO.	H
DTSM-21	4.30
DTSM-23	7.40
DTSM-25	8.50

