

Data sheet

Commercial Art.No.: 46.452.2060.1

Cable assembly RST16i5KSBS 15H 20SW

RST16i5 extension cable, female - male, 5 pole, assembled with screw connection, application 250/400V with PE, 16A, cable type H05Z1Z1-F, length 2.0m, cross section 1.5mm², coding color black



| | |
|--------------------|---------------|
| Commercial Art.No. | 46.452.2060.1 |
| EAN | 4049088294587 |
| Order Unit | 1 |

Certificates / Approvals



Technical data

General

| | |
|--|----------------------------------|
| Rated current | 16 A |
| Rated voltage | 250 V / 400 V |
| Rated impulse voltage | 4 kV |
| Pollution degree | 3 |
| Lockable | self-locking (unlocking by hand) |
| Color of coding/ contact carrier | black |
| Marking of poles | 1, 2, 3, N, PE |
| Color of housing inclusive strain relief | black |

Model

| | |
|---------------------------------|-----------------------|
| type of construction | Cable screw gland |
| Connection type | screw connection |
| Nominal cross section conductor | 1.5 mm ² |
| Degree of protection (IP) | IP66/68 (3m;2h) /IP69 |
| Cable type | H05Z1Z1-F |
| Cable color | black |
| Cable diameter min. | 9.8 mm |
| Cable diameter max. | 10.4 mm |
| Version of cable | female - male |
| Type of cord set | connecting cable |
| Version cable end 1 | female |
| Version cable end 2 | male |
| Shielded | No |

Material

| | |
|----------------|---------------|
| Surface finish | Silver-plated |
| halogen free | yes |
| Fire load | 1.364 kWh |
| Fire class | Eca |

Dimensions

| | |
|--------------|-----|
| Total length | 2 m |
|--------------|-----|

Classification

| | |
|------------|----------|
| ECLASS 11 | |
| ECLASS 8.1 | 27440604 |
| ETIM 7.0 | EC002587 |
| ETIM 6.0 | EC002587 |
| ETIM 5.0 | EC002587 |
| ETIM 4.0 | EC002587 |

Note

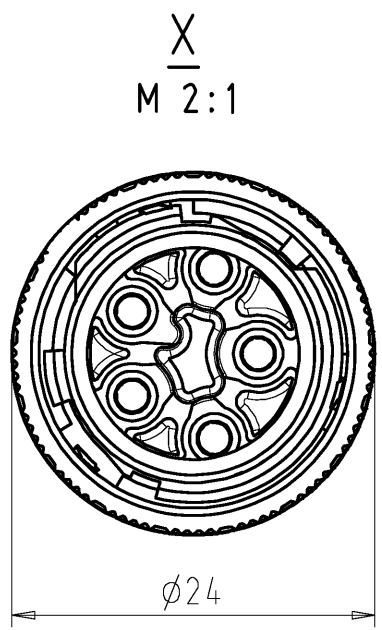
| | |
|------|--|
| Note | The total length may vary up to + / - 3 %. |
|------|--|

Product compliance

| | |
|------------------------------|--------------------|
| ROHS conformity status | Compliant/Exempted |
| ROHS exceptions | III-6(c) |
| REACH-SVHC conformity status | Duty-To-Declare |
| REACH-SVHC substances | Lead |
| REACH-SVHC CAS numbers | 7439-92-1 |

These dimensions will be especially checked at delivery
Only inspection dimensions
With /E marked dimensions are only valid for internal use

Diese Maße werden bei Abnahme besonders geprüft
Ausschließlich Prüfmaße
Mit /E gekennzeichnete Maße sind nur für interne Zwecke gültig

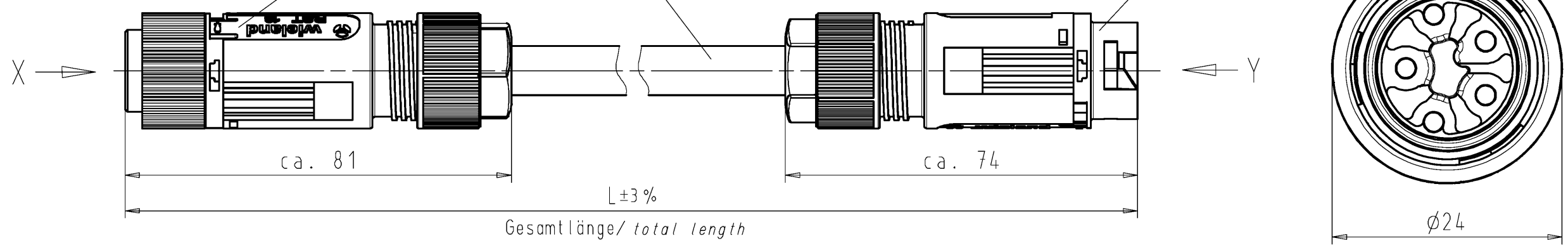


Buchse mit Zugentlastung
female connector with strain relief
Farbe: siehe Tabelle
colour: see table

H05Z1Z1-F5G1,5
schwarz/black
halogenfrei/halogenfree

Steckerteil mit Zugentlastung
male connector with strain relief
Farbe: siehe Tabelle
colour: see table

Magnification Y/M 2:1



Weitergabe sowie Vervielfältigung dieses Dokuments, Verwertung und Mitteilung seines Inhalts sind verboten, soweit nicht ausdrücklich gestattet. Die Reproduktion, Distribution und Nutzung dieses Dokuments sowie die Kommunikation der Inhalte ist ohne schriftliche Genehmigung von Wieland-Electric verboten.

Kodierung/coding C1
250V/16A

| | |
|----------------------|----|
| Farbe/colour | .F |
| schwarz/black | .1 |
| lichtgrau/light grey | .0 |

| Teile-Nr. part-no. | L | Beispiel (Farbe: schwarz, lichtgrau) example (colour: black, light grey) | Typ type |
|-----------------------|--------------------|---|----------------------|
| 46.452.XX60.F | XX in dm-Schritten | 46.452.1060.1 = 10dm/L= 1000mm | RST1615KSBS 15H 10SW |
| 46.452.XX60.F | XX in dm-steps | 46.452.1060.0 | RST1615KSBS 15H 10GL |

Weitere Daten siehe KATALOG oder eKatalog.
Additional data see CATALOG or eCatalog.
www.wieland-electric.com
eshop.wieland-electric.com

Tolerierung Size ISO 14405/Tolerance system Size ISO 14405.
(This ISO-standard describes the envelope principle. According to the envelope principle the deviations of form and parallelism are limited by the size tolerances).
ja/yes Stoffverbots- und Deklarationsliste nach WN 5020.010 ist einzuhalten.
Conformity with Wieland document WN 5020.010 e (list of prohibited / declarable hazardous substances) to be declared!

Freitoleranz nach General tolerance CAD - Zeichnung, keine manuellen Änderungen CAD - drawing, no manual modifications allowed 1.Verwendung: - First Use: - Blatt: 1 von 1 Sheet: of 1

| | | | | | |
|--|-------------------------------|------------------------|---------------------------------|---------------------------|-------|
| Werkstoff/Material | 2014 Tag/Date | Name | T | Zeichnung Nr./Drawing No. | Index |
| gezeichnet/drawn | 15.12. | Treschan | | | |
| geprüft/checked | - | - | | | |
| Maßstab/Scale | 1:1 | Normgepr. Stand. check | Maße in mm/Dimensions are in mm | | |
| Vol. mm ³ Of l./Surf. mm ² | Ersatz für/Replacement for: - | | | | |

| | | | | |
|-------------------|----------------------------|--|-----------------------------|---|
| Index | Datum / Blatt Date / Sheet | | Type | Benennung/Title |
| Änderung/Revision | | www.wieland-electric.com | RST1615 KSBS 15H | KONFEKT_LEITUNG Buchse-Stecker, Schraubanschl. ohne DS, halogenfrei pre assembled cable, screw connection, halogenfree |