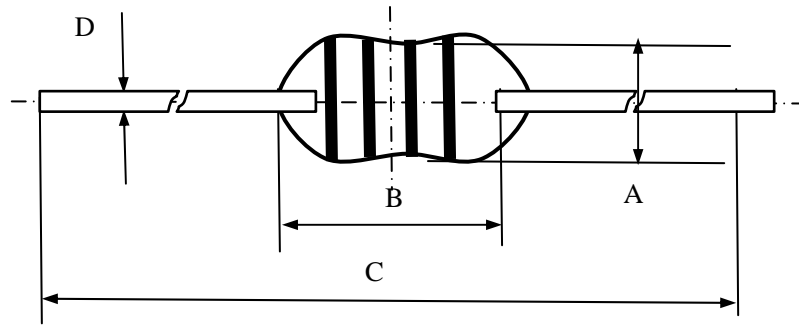
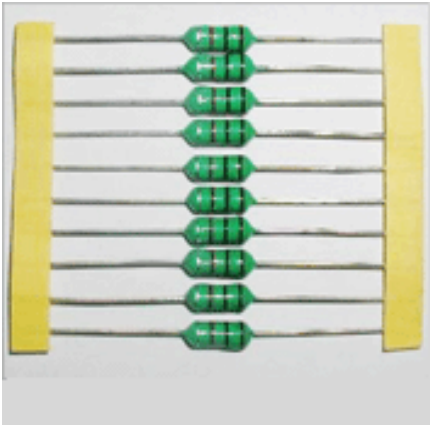
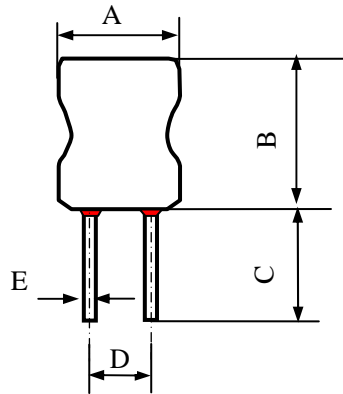


AXIAL INDUCTOR



DIMENSION				
TYPE	A	B	C	E
LGA0307	3.0mm	7.0mm	63±2.0mm	Φ0.6±0.05mm
LGA0410	4.0mm	10.0mm	63±2.0mm	Φ0.6±0.05mm
LGA0510	5.0mm	10.0mm	63±2.0mm	Φ0.6±0.05mm

RADIAL INDUCTOR



DIMENSION					
TYPE	A	B	C	D	E
LGB-X0406	5.0mm	7.0mm	15mm	2.0mm	0.50mm
LGB-X0608	7.5mm	10.0mm	15mm	2.5mm	0.60mm
LGB-X0810	9.0mm	12.0mm	15mm	5.0mm	0.60mm
LGB-X0912	10.0mm	13.0mm	15mm	6.0mm	0.80mm
LGB-X1010	11.0mm	12.0mm	15mm	6.0mm	0.80mm
LGB-X1012	11.0mm	14.0mm	15mm	6.0mm	0.80mm
LGB-X1016	11.0mm	18.0mm	15mm	6/7.5mm	1.0mm
LGB-X1212	13.0mm	15.0mm	15mm	7.5mm	1.0mm

LGA0307 Electrical properties

TYPE	L (uH)	Q (MIN)	Fr (MHz)	SRF (MHz) MIN	R _{dc} (Ω) MAX	I _{DC} (mA) MAX
LGA0307-R10K	0.1	40	25.2	470	0.08	700
LGA0307-R12K	0.12	40	25.2	450	0.08	700
LGA0307-R15K	0.15	40	25.2	430	0.09	700
LGA0307-R18K	0.18	40	25.2	410	0.1	700
LGA0307-R22K	0.22	40	25.2	380	0.12	700
LGA0307-R27K	0.27	40	25.2	360	0.15	680
LGA0307-R33K	0.33	40	25.2	350	0.16	680
LGA0307-R39K	0.39	40	25.2	320	0.18	680
LGA0307-R47K	0.47	40	25.2	300	0.26	650
LGA0307-R56K	0.56	40	25.2	280	0.38	500
LGA0307-R68K	0.68	40	25.2	250	0.42	500
LGA0307-R82K	0.82	40	25.2	200	0.55	450
LGA0307-1R0K	1	65	25.2	180	0.12	700
LGA0307-1R2K	1.2	50	7.96	165	0.18	700
LGA0307-1R5K	1.5	50	7.96	150	0.2	700
LGA0307-1R8K	1.8	70	7.96	125	0.23	655
LGA0307-2R2K	2.2	50	7.96	85	0.25	630
LGA0307-2R7K	2.7	60	7.96	80	0.28	595
LGA0307-3R3K	3.3	60	7.96	75	0.3	575
LGA0307-3R9K	3.9	60	7.96	65	0.32	555
LGA0307-4R7K	4.7	50	7.96	45	0.35	530
LGA0307-5R6K	5.6	50	7.96	36	0.4	500
LGA0307-6R8K	6.8	50	7.96	30	0.45	470
LGA0307-8R2K	8.2	50	7.96	28	0.55	425
LGA0307-100K	10	50	7.96	22	0.72	370
LGA0307-120K	12	50	2.52	20	0.8	350
LGA0307-150K	15	50	2.52	16	0.88	335
LGA0307-180K	18	50	2.52	15	1	315
LGA0307-220K	22	60	2.52	13	1.2	285
LGA0307-270K	27	60	2.52	11	1.35	270
LGA0307-330K	33	50	2.52	10	1.5	255
LGA0307-390K	39	50	2.52	9.5	1.7	240
LGA0307-470K	47	50	2.52	8.5	2.3	205
LGA0307-560K	56	55	2.52	7.5	2.6	195
LGA0307-680K	68	55	2.52	6.5	3.2	185
LGA0307-820K	82	55	2.52	6	3.5	175
LGA0307-101K	100	60	2.52	5.5	3.8	165
LGA0307-121K	120	75	0.796	5.4	3.8	160
LGA0307-151K	150	75	0.796	4.75	4.4	150
LGA0307-181K	180	75	0.796	4.35	5	140
LGA0307-221K	220	75	0.796	4	5.7	130
LGA0307-271K	270	70	0.796	3.7	6.5	120
LGA0307-331K	330	70	0.796	3.4	9.5	100
LGA0307-391K	390	70	0.796	2.8	10.5	95
LGA0307-471K	470	70	0.796	2.4	12.5	90
LGA0307-561K	560	70	0.796	2.2	14.5	85
LGA0307-681K	680	70	0.796	2	18	75
LGA0307-821K	820	60	0.796	1.6	23.7	65
LGA0307-102K	1000	60	0.796	1.15	30	60

J: +5%; K: +10%; M: +20%

LGA0410 Electrical properties

TYPE	L (uH)	Q (MIN)	Fr (MHz)	SRF (MHz) MIN	Rdc (Ω) MAX	Idc (mA) MAX
LGA0410-R10K	0.1	50	25.2	470	0.04	900
LGA0410-R12K	0.12	50	25.2	450	0.06	900
LGA0410-R15K	0.15	50	25.2	430	0.07	890
LGA0410-R18K	0.18	50	25.2	410	0.07	890
LGA0410-R22K	0.22	50	25.2	380	0.08	880
LGA0410-R27K	0.27	50	25.2	340	0.09	800
LGA0410-R33K	0.33	50	25.2	300	0.1	750
LGA0410-R39K	0.39	50	25.2	280	0.12	680
LGA0410-R47K	0.47	50	25.2	250	0.16	650
LGA0410-R56K	0.56	50	25.2	230	0.18	600
LGA0410-R68K	0.68	50	25.2	210	0.22	550
LGA0410-R82K	0.82	50	25.2	172	0.24	980
LGA0410-1R0K	1	50	25.2	157	0.09	920
LGA0410-1R2K	1.2	50	7.96	144	0.1	880
LGA0410-1R5K	1.5	55	7.96	131	0.23	830
LGA0410-1R8K	1.8	60	7.96	121	0.25	790
LGA0410-2R2K	2.2	80	7.96	110	0.28	750
LGA0410-2R7K	2.7	85	7.96	100	0.3	720
LGA0410-3R3K	3.3	90	7.96	94	0.34	670
LGA0410-3R9K	3.9	90	7.96	86	0.37	640
LGA0410-4R7K	4.7	90	7.96	80	0.39	620
LGA0410-5R6K	5.6	80	7.96	74	0.43	590
LGA0410-6R8K	6.8	80	7.96	58	0.48	550
LGA0410-8R2K	8.2	85	7.96	53	0.52	530
LGA0410-100K	10	85	7.96	45	0.58	500
LGA0410-120K	12	75	2.52	30	0.63	480
LGA0410-150K	15	75	2.52	20	0.72	460
LGA0410-180K	18	70	2.52	14	0.77	430
LGA0410-220K	22	65	2.52	7.9	0.84	410
LGA0410-270K	27	65	2.52	7.6	0.94	390
LGA0410-330K	33	55	2.52	6.3	1.03	370
LGA0410-390K	39	55	2.52	6.3	1.12	350
LGA0410-470K	47	45	2.52	6.3	1.22	340
LGA0410-560K	56	45	2.52	6.2	1.34	320
LGA0410-680K	68	40	2.52	5.7	1.47	305
LGA0410-820K	82	35	2.52	5.3	1.62	290
LGA0410-101K	100	30	2.52	4.8	1.8	275
LGA0410-121K	120	70	0.796	3.8	3.7	185
LGA0410-151K	150	80	0.796	3.5	4.2	175
LGA0410-181K	180	80	0.796	3.3	4.6	165
LGA0410-221K	220	70	0.796	3	5.1	155
LGA0410-271K	270	70	0.796	2.8	5.8	145
LGA0410-331K	330	65	0.796	2.6	6.4	137
LGA0410-391K	390	65	0.796	2.4	7	133
LGA0410-471K	470	60	0.796	2.25	7.7	126
LGA0410-561K	560	60	0.796	2.1	8.5	120
LGA0410-681K	680	55	0.796	1.95	9.4	113
LGA0410-821K	820	55	0.796	1.85	12	100
LGA0410-102K	1000	50	0.252	1.4	17	100

J: +5%; K: +10% ; M: +20%

LGA0510 Electrical properties

TYPE	L (uH)	Q (MIN)	Fr (MHz)	SRF (MHz) MIN	R _{dc} (Ω) MAX	I _{DC} (mA) MAX
LGA0510-122K	1.2	80	0.1	0.252	9	75
LGA0510-152K	1.5	80	0.1	0.252	10	69
LGA0510-182K	1.8	80	0.1	0.252	11	60
LGA0510-222K	2.2	80	0.1	0.252	14	58
LGA0510-272K	2.7	80	0.1	0.252	18	52
LGA0510-332K	3.3	80	0.1	0.252	22	48
LGA0510-392K	3.9	80	0.1	0.252	26	45
LGA0510-472K	4.7	80	0.1	0.252	32	40
LGA0510-562K	5.6	70	0.1	0.252	34	37
LGA0510-682K	6.8	70	0.1	0.252	45	34
LGA0510-822K	8.2	50	0.1	0.252	60	31
LGA0510-103K	10	50	0.1	0.0796	70	28
LGA0510-123K	12	50	0.1	0.0796	82	24
LGA0510-153K	15	50	0.1	0.0796	89	22
LGA0510-183K	18	40	0.1	0.0796	141	14
LGA0510-223K	22	40	0.1	0.0796	170	12
LGA0510-253K	25	40	0.1	0.0796	185	11
LGA0510-273K	27	40	0.1	0.0796	210	9.5
LGA0510-303K	30	40	0.1	0.0796	240	8.5
LGA0510-333K	33	40	0.1	0.0796	250	8

J: +5%; K: +10% ; M: +20%

CW45 LGB-X0406 Electrical properties

TYPE	L (uH)	Q (MIN)	Fr (MHz)	SRF (MHz) MIN	Rdc (Ω) MAX	IDC (mA) MAX
LGB0406-1R0K	1	130	7.96	120	0.035	2000
LGB0406-1R2K	1.2	100	7.96	120	0.058	1950
LGB0406-1R5K	1.5	100	7.96	120	0.075	1900
LGB0406-1R8K	1.8	100	7.96	120	0.11	1800
LGB0406-2R2K	2.2	100	7.96	100	0.12	1750
LGB0406-2R7K	2.7	100	7.96	80	0.125	1680
LGB0406-3R3K	3.3	100	7.96	75	0.13	1500
LGB0406-3R9K	3.9	100	7.96	70	0.135	1450
LGB0406-4R7K	4.7	100	7.96	50	0.14	1320
LGB0406-5R6K	5.6	100	7.96	45	0.145	1230
LGB0406-6R8K	6.8	100	7.96	30	0.15	1150
LGB0406-8R2K	8.2	100	7.96	22	0.16	1100
LGB0406-100K	10	80	2.52	20	0.23	1000
LGB0406-120K	12	80	2.52	17	0.24	970
LGB0406-150K	15	80	2.52	16	0.25	920
LGB0406-180K	18	80	2.52	12	0.33	860
LGB0406-220K	22	80	2.52	10	0.45	800
LGB0406-270K	27	80	2.52	9.5	0.5	710
LGB0406-330K	33	80	2.52	8.7	0.7	660
LGB0406-390K	39	70	2.52	8.2	0.74	600
LGB0406-470K	47	70	2.52	7.8	0.76	550
LGB0406-560K	56	50	2.52	7.6	0.8	500
LGB0406-680K	68	50	2.52	6.8	0.9	470
LGB0406-820K	82	50	2.52	6	0.95	430
LGB0406-101K	100	45	0.796	6	1	400
LGB0406-121K	120	45	0.796	5.5	1.1	370
LGB0406-151K	150	65	0.796	4.2	1.3	350
LGB0406-181K	180	65	0.796	3.6	1.5	320
LGB0406-221K	220	65	0.796	2.8	1.8	300
LGB0406-271K	270	50	0.796	2.4	1.9	275
LGB0406-331K	330	50	0.796	2.2	2.2	250
LGB0406-391K	390	50	0.796	2	2.7	220
LGB0406-471K	470	50	0.796	1.7	3.6	200
LGB0406-561K	560	50	0.796	1.5	4.2	190
LGB0406-681K	680	50	0.796	1.3	4.6	170
LGB0406-821K	820	50	0.796	1.1	5.7	155
LGB0406-102K	1000	90	0.252	1	6.7	150
LGB0406-122K	1200	90	0.252	0.9	8.2	140
LGB0406-152K	1500	80	0.252	0.8	13	120
LGB0406-182K	1800	80	0.252	0.8	15	110
LGB0406-222K	2200	80	0.252	0.8	17	100
LGB0406-272K	2700	80	0.252	0.8	19	90
LGB0406-332K	3300	70	0.252	0.7	26	83
LGB0406-392K	3900	70	0.252	0.65	30	76
LGB0406-472K	4700	65	0.252	0.6	45	70
LGB0406-562K	5600	65	0.252	0.55	48	62
LGB0406-682K	6800	65	0.252	0.55	56	56
LGB0406-822K	8200	65	0.252	0.55	62	52
LGB0406-103K	10000	45	0.0796	0.55	72	47
LGB0406-123K	12000	45	0.0796	0.5	80	40
LGB0406-153K	15000	45	0.0796	0.5	120	35
LGB0406-183K	18000	45	0.0796	0.5	135	30
LGB0406-223K	22000	45	0.0796	0.5	160	24
LGB0406-253K	25000	45	0.0796	0.5	180	20

J: +5%; K: +10%; M: +20%

CW68 LGB-X0608 Electrical properties

TYPE	L (uH)	Q (MIN)	Fr (MHz)	SRF (MHz) MIN	Rdc (Ω) MAX	Idc (mA) MAX
LGB0608-100K	10	25	2.52	16	0.09	1300
LGB0608-120K	12	25	2.52	15	0.1	1100
LGB0608-150K	15	25	2.52	13	0.11	1050
LGB0608-180K	18	20	2.52	12	0.12	1000
LGB0608-220K	22	25	2.52	11	0.12	960
LGB0608-270K	27	25	2.52	10	0.17	920
LGB0608-330K	33	25	2.52	8.8	0.19	880
LGB0608-390K	39	20	2.52	8.4	0.22	860
LGB0608-470K	47	20	2.52	8.2	0.23	830
LGB0608-560K	56	20	2.52	7.9	0.29	810
LGB0608-680K	68	20	2.52	7	0.37	750
LGB0608-820K	82	20	2.52	6.5	0.39	740
LGB0608-101K	100	30	0.796	5.7	0.44	710
LGB0608-121K	120	30	0.796	5.2	0.64	680
LGB0608-151K	150	35	0.796	4.7	0.73	600
LGB0608-181K	180	35	0.796	4.2	0.82	540
LGB0608-221K	220	35	0.796	3.7	0.92	450
LGB0608-271K	270	30	0.796	3.5	1.2	420
LGB0608-331K	330	40	0.796	3.2	1.6	400
LGB0608-391K	390	25	0.796	2.9	1.9	370
LGB0608-471K	470	35	0.796	2.4	2.3	340
LGB0608-561K	560	35	0.796	2.2	2.6	280
LGB0608-681K	680	45	0.796	2	2.8	250
LGB0608-821K	820	40	0.796	1.6	3	230
LGB0608-102K	1000	70	0.796	1.5	3.3	200
LGB0608-122K	1200	70	0.252	0.8	3.5	180
LGB0608-152K	1500	70	0.252	0.7	4.5	160
LGB0608-182K	1800	70	0.252	0.6	5	140
LGB0608-222K	2200	70	0.252	0.5	6.2	120
LGB0608-272K	2700	70	0.252	0.4	7.2	100
LGB0608-332K	3300	70	0.252	0.3	10.5	80
LGB0608-392K	3900	70	0.252	0.2	11.7	70
LGB0608-472K	4700	70	0.252	0.18	13.6	60
LGB0608-562K	5600	70	0.252	0.16	16.6	50
LGB0608-682K	6800	70	0.252	0.16	19.6	50
LGB0608-822K	8200	70	0.252	0.16	25.2	40
LGB0608-103K	10000	70	0.0796	0.14	29.5	40
LGB0608-123K	12000	70	0.0796	0.14	33.8	40
LGB0608-153K	15000	70	0.0796	0.14	45.4	30
LGB0608-183K	18000	70	0.0796	0.14	50.4	30
LGB0608-223K	22000	70	0.0796	0.12	60	30
LGB0608-303K	30000	70	0.0796	0.12	91.5	20
LGB0608-333K	33000	70	0.0796	0.12	98.5	20
LGB0608-393K	39000	70	0.0796	0.12	140	15
LGB0608-473K	47000	70	0.0796	0.12	160	15
LGB0608-503K	50000	70	0.0796	0.1	170	15
LGB0608-563K	56000	70	0.0796	0.1	181	15
LGB0608-683K	68000	50	0.0796	0.1	282	15
LGB0608-823K	82000	50	0.0796	0.1	312	10
LGB0608-104K	100000	30	0.0252	0.1	380	10
LGB0608-124K	120000	30	0.0252	0.1	430	10
LGB0608-154K	150000	30	0.0252	0.1	520	10

J: +5%; K: +10% ; M: +20%

CW9B LGB-X0912 Electrical properties

TYPE	L (μH)	Fr (HZ)	R _{dc} (Ω) MAX	I _{DC} (A) MAX
LGB0912-3R3M	3.3	1.0K/1V	13m	12
LGB0912-3R9M	3.9	1.0K/1V	17m	11
LGB0912-4R7M	4.7	1.0K/1V	18m	10
LGB0912-5R6M	5.6	1.0K/1V	19m	9.2
LGB0912-6R8M	6.8	1.0K/1V	22m	8.2
LGB0912-8R2M	8.2	1.0K/1V	25m	7.8
LGB0912-100K	10	1.0K/1V	26m	6.8
LGB0912-120K	12	1.0K/1V	31m	6.2
LGB0912-150K	15	1.0K/1V	35m	5.7
LGB0912-180K	18	1.0K/1V	44m	5.2
LGB0912-220K	22	1.0K/1V	55m	4.6
LGB0912-270K	27	1.0K/1V	63m	4.2
LGB0912-330K	33	1.0K/1V	71m	3.4
LGB0912-390K	39	1.0K/1V	79m	3.5
LGB0912-470K	47	1.0K/1V	90m	3.2
LGB0912-560K	56	1.0K/1V	0.11	2.9
LGB0912-680K	68	1.0K/1V	0.13	2.7
LGB0912-820K	82	1.0K/1V	0.14	2.4
LGB0912-101K	100	1.0K/1V	0.15	2.2
LGB0912-121K	120	1.0K/1V	0.21	2
LGB0912-151K	150	1.0K/1V	0.26	1.8
LGB0912-181K	180	1.0K/1V	0.3	1.6
LGB0912-221K	220	1.0K/1V	0.35	1.4
LGB0912-271K	270	1.0K/1V	0.42	1.3
LGB0912-331K	330	1.0K/1V	0.54	1.2
LGB0912-391K	390	1.0K/1V	0.65	1.1
LGB0912-471K	470	1.0K/1V	0.8	0.98
LGB0912-561K	560	1.0K/1V	0.9	0.88
LGB0912-681K	680	1.0K/1V	1.1	0.8
LGB0912-821K	820	1.0K/1V	1.2	0.78
LGB0912-102K	1000	1.0K/1V	1.5	0.7
LGB0912-122K	1200	1.0K/1V	1.9	0.64
LGB0912-152K	1500	1.0K/1V	2.2	0.58
LGB0912-182K	1800	1.0K/1V	2.8	0.53
LGB0912-222K	2200	1.0K/1V	3.5	0.48
LGB0912-272K	2700	1.0K/1V	4.2	0.42
LGB0912-332K	3300	1.0K/1V	5.4	0.38
LGB0912-392K	3900	1.0K/1V	6	0.35
LGB0912-472K	4700	1.0K/1V	7.6	0.32
LGB0912-562K	5600	1.0K/1V	8.7	0.3
LGB0912-682K	6800	1.0K/1V	10.5	0.27
LGB0912-822K	8200	1.0K/1V	12	0.24
LGB0912-103K	10000	1.0K/1V	17.2	0.22
LGB0912-123K	12000	1.0K/1V	19.2	0.2
LGB0912-153K	15000	1.0K/1V	23.5	0.18
LGB0912-183K	18000	1.0K/1V	32	0.16
LGB0912-223K	22000	1.0K/1V	37	0.15
LGB0912-273K	27000	1.0K/1V	46	0.14
LGB0912-333K	33000	1.0K/1V	53	0.13
LGB0912-393K	39000	1.0K/1V	70	0.11
LGB0912-473K	47000	1.0K/1V	79	0.1

J: +5%; K: +10% ; M: +20%

CWAA LGB-X1010 Electrical properties

TYPE	L (uH)	Fr (HZ)	R _{dc} (Ω) MAX	I _{dc} (A) MAX
LGB1010-3R3M	3.3	1.0K/1V	15m	12
LGB1010-3R9M	3.9	1.0K/1V	16m	11
LGB1010-4R7M	4.7	1.0K/1V	18m	10
LGB1010-5R6M	5.6	1.0K/1V	20m	9.6
LGB1010-6R8M	6.8	1.0K/1V	22m	8.8
LGB1010-8R2M	8.2	1.0K/1V	23m	8
LGB1010-100K	10	1.0K/1V	25m	75
LGB1010-120K	12	1.0K/1V	30m	6.9
LGB1010-150K	15	1.0K/1V	39m	6.1
LGB1010-180K	18	1.0K/1V	43m	5.6
LGB1010-220K	22	1.0K/1V	48m	5.2
LGB1010-270K	27	1.0K/1V	55m	4.6
LGB1010-330K	33	1.0K/1V	60m	4.2
LGB1010-390K	39	1.0K/1V	68m	3.8
LGB1010-470K	47	1.0K/1V	86m	3.4
LGB1010-560K	56	1.0K/1V	95m	3.2
LGB1010-680K	68	1.0K/1V	0.12	2.8
LGB1010-820K	82	1.0K/1V	0.13	2.6
LGB1010-101K	100	1.0K/1V	0.18	2.4
LGB1010-121K	120	1.0K/1V	0.19	2.1
LGB1010-151K	150	1.0K/1V	0.23	1.9
LGB1010-181K	180	1.0K/1V	0.28	1.7
LGB1010-221K	220	1.0K/1V	0.32	1.6
LGB1010-271K	270	1.0K/1V	0.4	1.4
LGB1010-331K	330	1.0K/1V	0.46	1.3
LGB1010-391K	390	1.0K/1V	0.56	1.2
LGB1010-471K	470	1.0K/1V	0.64	1
LGB1010-561K	560	1.0K/1V	0.8	0.96
LGB1010-681K	680	1.0K/1V	0.95	0.88
LGB1010-821K	820	1.0K/1V	1.2	0.8
LGB1010-102K	1000	1.0K/1V	1.3	0.76
LGB1010-122K	1200	1.0K/1V	1.5	0.7
LGB1010-152K	1500	1.0K/1V	2	0.62
LGB1010-182K	1800	1.0K/1V	2.5	0.56
LGB1010-222K	2200	1.0K/1V	2.9	0.51
LGB1010-272K	2700	1.0K/1V	3.7	0.46
LGB1010-332K	3300	1.0K/1V	4.3	0.42
LGB1010-392K	3900	1.0K/1V	5.2	0.38
LGB1010-472K	4700	1.0K/1V	6.2	0.34
LGB1010-562K	5600	1.0K/1V	7	0.32
LGB1010-682K	6800	1.0K/1V	8.7	0.29
LGB1010-822K	8200	1.0K/1V	11	0.26
LGB1010-103K	10000	1.0K/1V	13	0.24
LGB1010-123K	12000	1.0K/1V	18	0.22
LGB1010-153K	15000	1.0K/1V	20	0.19
LGB1010-183K	18000	1.0K/1V	24	0.18
LGB1010-223K	22000	1.0K/1V	28	0.16
LGB1010-273K	27000	1.0K/1V	39	0.14

J:+5%; K:+10% ; M:+20%

CWAC LGB-X1012 Electrical properties

TYPE	L (uH)	Fr (HZ)	Rdc (Ω) MAX	IDC (A) MAX
LGB1012-3R9M	3.9	1.0K/1V	11m	10.8
LGB1012-4R7M	4.7	1.0K/1V	12m	9.7
LGB1012-5R6M	5.6	1.0K/1V	13m	9.2
LGB1012-6R8M	6.8	1.0K/1V	15m	8.4
LGB1012-8R2M	8.2	1.0K/1V	16m	7.5
LGB1012-100K	10	1.0K/1V	18m	6.8
LGB1012-120K	12	1.0K/1V	19m	6.2
LGB1012-150K	15	1.0K/1V	25m	5.6
LGB1012-180K	18	1.0K/1V	28m	5.2
LGB1012-220K	22	1.0K/1V	30m	4.8
LGB1012-270K	27	1.0K/1V	36m	4.3
LGB1012-330K	33	1.0K/1V	45m	3.9
LGB1012-390K	39	1.0K/1V	51m	3.5
LGB1012-470K	47	1.0K/1V	56m	3.2
LGB1012-560K	56	1.0K/1V	71m	3
LGB1012-680K	68	1.0K/1V	81m	2.7
LGB1012-820K	82	1.0K/1V	103m	2.4
LGB1012-101K	100	1.0K/1V	0.13	2.2
LGB1012-121K	120	1.0K/1V	0.14	2
LGB1012-151K	150	1.0K/1V	0.17	1.8
LGB1012-181K	180	1.0K/1V	0.22	1.6
LGB1012-221K	220	1.0K/1V	0.24	1.5
LGB1012-271K	270	1.0K/1V	0.32	1.3
LGB1012-331K	330	1.0K/1V	0.37	1.2
LGB1012-391K	390	1.0K/1V	0.44	1.1
LGB1012-471K	470	1.0K/1V	0.56	1
LGB1012-561K	560	1.0K/1V	0.63	0.88
LGB1012-681K	680	1.0K/1V	0.76	0.8
LGB1012-821K	820	1.0K/1V	0.9	0.78
LGB1012-102K	1000	1.0K/1V	1.1	0.7
LGB1012-122K	1200	1.0K/1V	1.3	0.65
LGB1012-152K	1500	1.0K/1V	1.6	0.57
LGB1012-182K	1800	1.0K/1V	1.9	0.52
LGB1012-222K	2200	1.0K/1V	2.4	0.48
LGB1012-272K	2700	1.0K/1V	3	0.42
LGB1012-332K	3300	1.0K/1V	3.7	0.37
LGB1012-392K	3900	1.0K/1V	4.6	0.35
LGB1012-472K	4700	1.0K/1V	5.5	0.32
LGB1012-562K	5600	1.0K/1V	6.2	0.29
LGB1012-682K	6800	1.0K/1V	7.3	0.26
LGB1012-822K	8200	1.0K/1V	9.2	0.24
LGB1012-103K	10000	1.0K/1V	11.5	0.22
LGB1012-123K	12000	1.0K/1V	13	0.2
LGB1012-153K	15000	1.0K/1V	16	0.18
LGB1012-183K	18000	1.0K/1V	18.6	0.16
LGB1012-223K	22000	1.0K/1V	24.4	0.14
LGB1012-273K	27000	1.0K/1V	28.8	0.12

J: +5%; K: +10% ; M: +20%

CWAG LGB-X1016 Electrical properties				
TYPE	L (uH)	Fr (HZ)	R _{dc} (Ω) MAX	I _{DC} (A) MAX
LGB1016-100K	10	1.0K/1V	18m	6.8
LGB1016-120K	12	1.0K/1V	19m	6.2
LGB1016-150K	15	1.0K/1V	22m	5.4
LGB1016-180K	18	1.0K/1V	24m	5
LGB1016-220K	22	1.0K/1V	26m	4.7
LGB1016-270K	27	1.0K/1V	30m	4.2
LGB1016-330K	33	1.0K/1V	37m	3.8
LGB1016-390K	39	1.0K/1V	42m	3.5
LGB1016-470K	47	1.0K/1V	46m	3.2
LGB1016-560K	56	1.0K/1V	51m	3
LGB1016-680K	68	1.0K/1V	65m	2.6
LGB1016-820K	82	1.0K/1V	74m	2.4
LGB1016-101K	100	1.0K/1V	84m	2.2
LGB1016-121K	120	1.0K/1V	0.11	2
LGB1016-151K	150	1.0K/1V	0.12	1.8
LGB1016-181K	180	1.0K/1V	0.13	1.6
LGB1016-221K	220	1.0K/1V	0.17	1.4
LGB1016-271K	270	1.0K/1V	0.23	1.3
LGB1016-331K	330	1.0K/1V	0.31	1.2
LGB1016-391K	390	1.0K/1V	0.34	1.1
LGB1016-471K	470	1.0K/1V	0.39	1
LGB1016-561K	560	1.0K/1V	0.43	0.9
LGB1016-681K	680	1.0K/1V	0.59	0.82
LGB1016-821K	820	1.0K/1V	0.65	0.77
LGB1016-102K	1000	1.0K/1V	0.85	0.69
LGB1016-122K	1200	1.0K/1V	0.96	0.64
LGB1016-152K	1500	1.0K/1V	1.1	0.57
LGB1016-182K	1800	1.0K/1V	1.4	0.52
LGB1016-222K	2200	1.0K/1V	1.7	0.46
LGB1016-272K	2700	1.0K/1V	2	0.42
LGB1016-332K	3300	1.0K/1V	2.5	0.38
LGB1016-392K	3900	1.0K/1V	2.8	0.34
LGB1016-472K	4700	1.0K/1V	3.6	0.32
LGB1016-562K	5600	1.0K/1V	4.5	0.29
LGB1016-682K	6800	1.0K/1V	5.1	0.26
LGB1016-822K	8200	1.0K/1V	6.7	0.24
LGB1016-103K	10000	1.0K/1V	7.7	0.22
LGB1016-123K	12000	1.0K/1V	9.2	0.2
LGB1016-153K	15000	1.0K/1V	11.3	0.17
LGB1016-183K	18000	1.0K/1V	14.2	0.16
LGB1016-223K	22000	1.0K/1V	18	0.14
LGB1016-273K	27000	1.0K/1V	20.5	0.13

J:+5%; K:+10% ; M:+20%

CWCD LGB-X1212 Electrical properties

TYPE	L (uH)	Fr (Hz)	R _{dc} (Ω) MAX	I _{DC} (A) MAX
LGB1212-2R7M	2.7	1.0K/1V	10m	16
LGB1212-3R3M	3.3	1.0K/1V	11m	16
LGB1212-4R7M	4.7	1.0K/1V	12.5m	14.7
LGB1212-5R6M	5.6	1.0K/1V	13.5m	13.5
LGB1212-6R8M	6.8	1.0K/1V	15m	12
LGB1212-8R2M	8.2	1.0K/1V	17.5m	10.5
LGB1212-100K	10	1.0K/1V	19m	9.7
LGB1212-120K	12	1.0K/1V	21.5m	8.4
LGB1212-150K	15	1.0K/1V	23m	8.2
LGB1212-180K	18	1.0K/1V	26m	7.4
LGB1212-220K	22	1.0K/1V	29m	6.7
LGB1212-270K	27	1.0K/1V	34m	6
LGB1212-330K	33	1.0K/1V	37m	5.5
LGB1212-390K	39	1.0K/1V	42m	5.1
LGB1212-470K	47	1.0K/1V	47m	4.5
LGB1212-560K	56	1.0K/1V	56m	4.2
LGB1212-680K	68	1.0K/1V	74m	3.7
LGB1212-820K	82	1.0K/1V	85m	3.3
LGB1212-101K	100	1.0K/1V	0.11	3
LGB1212-121K	120	1.0K/1V	0.12	2.8
LGB1212-151K	150	1.0K/1V	0.15	2.5
LGB1212-181K	180	1.0K/1V	0.17	2.3
LGB1212-221K	220	1.0K/1V	0.22	2.1
LGB1212-271K	270	1.0K/1V	0.25	1.9
LGB1212-331K	330	1.0K/1V	0.34	1.7
LGB1212-391K	390	1.0K/1V	0.38	1.6
LGB1212-471K	470	1.0K/1V	0.44	1.4
LGB1212-561K	560	1.0K/1V	0.48	1.3
LGB1212-681K	680	1.0K/1V	0.6	1.2
LGB1212-821K	820	1.0K/1V	0.69	1.1
LGB1212-102K	1000	1.0K/1V	1	0.96
LGB1212-122K	1200	1.0K/1V	1.1	0.88
LGB1212-152K	1500	1.0K/1V	1.3	0.8
LGB1212-182K	1800	1.0K/1V	1.5	0.73
LGB1212-222K	2200	1.0K/1V	2.1	0.66
LGB1212-272K	2700	1.0K/1V	2.4	0.6
LGB1212-332K	3300	1.0K/1V	2.8	0.54
LGB1212-392K	3900	1.0K/1V	3.4	0.5
LGB1212-472K	4700	1.0K/1V	4	0.45
LGB1212-562K	5600	1.0K/1V	5	0.41
LGB1212-682K	6800	1.0K/1V	5.7	0.38
LGB1212-822K	8200	1.0K/1V	7	0.34
LGB1212-103K	10000	1.0K/1V	7.9	0.31
LGB1212-123K	12000	1.0K/1V	11	0.27
LGB1212-153K	15000	1.0K/1V	14	0.24
LGB1212-183K	18000	1.0K/1V	17	0.22
LGB1212-223K	22000	1.0K/1V	22	0.2
LGB1212-273K	27000	1.0K/1V	28	0.18

J: +5%; K: +10%; M: +20%