

## Data sheet

Commercial Art.No.: 92.943.1053.1

Connector GST18I4F B2 ZR2 SW

Connector GST18I4, 4 pole, female, spring clamp connection, for cable diameter 6,5 - 9,0 mm, 250/400 V, 20 A, colour of coding: black, colour of housing: black



Commercial Art.No.	92.943.1053.1
EAN	4015573612143
Order Unit	1

Certificates / Approvals



## Technical data

### General

Rated current	20 A
Rated voltage	250 V / 400 V
Rated impulse voltage	4 kV
strain relief	yes
Pollution degree	2
Mechanical coding	Code 1
Lockable	self-locking (unlocking by tool)
Color of coding/ contact carrier	black
Marking of poles	2, N, PE, 1
Color of housing inclusive strain relief	black

### Connection Data

Cable diameter max.	9 mm
Cable diameter min.	6.5 mm
Connection cross section solid mm <sup>2</sup> max.	2.5 mm <sup>2</sup>
Connection cross section solid mm <sup>2</sup> min.	0.75 mm <sup>2</sup>
Connection cross section fine stranded mm <sup>2</sup> max.	1.5 mm <sup>2</sup>
Connection cross section fine stranded mm <sup>2</sup> min.	0.75 mm <sup>2</sup>
Terminations per pole	2
sheath strip length	53 mm
Wire strip length	9 mm

### Model

Model	female
Connection type	spring clamp connection
Degree of protection (IP)	IP20

Remark to type of connection	Fine stranded and stranded conductors require cable end sleeve
------------------------------	--

#### Material

Housing material	Polyamide
halogen free	yes
Contact material	CuZn
Fire load	0.158 kWh
Insulation components continuous temperature	100 °C
Surface finish	Tin-plated

#### Dimensions

Length	75 mm
Width	42.25 mm
Height	17 mm

#### Classification

ECLASS 11	
ECLASS 8.1	27440605
ETIM 7.0	EC002560
ETIM 6.0	EC002560
ETIM 5.0	EC002560
ETIM 4.0	EC002560

#### Product compliance

ROHS conformity status	Compliant/Exempted
ROHS exceptions	III-6(c)
REACH-SVHC conformity status	Duty-To-Declare
REACH-SVHC substances	Lead
REACH-SVHC CAS numbers	7439-92-1

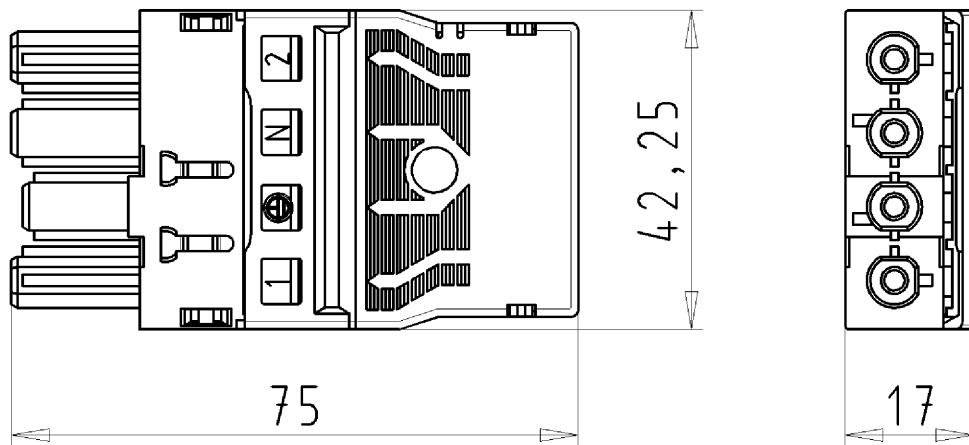
#### Accessories

Commercial Art.No.:	Article-type description:	Description:
05.587.3156.0	Lock (G)ST18 WS	Locking device for cable to cable connection GST18i3-5, white
05.564.5353.0	cover cap GST18i3/4/5 SW	Cover piece 12 pole black for female parts GST18i3-6
05.564.5353.2	cover cap GST18i3/4/5 WS	Cover piece 12 pole white for female parts GST18i3-6
05.566.9153.0	cover cap GST18i4 BUCHSEN	Cover for female connectors GST18i4, black
05.587.3156.1	Lock (G)ST18 SW	Locking device for cable to cable connection GST18i3-5, black

#### Fits with

Commercial Art.No.:	Article-type description:	Description:
92.044.0058.1	Device connector GST18i4L S1H SW	GST18i4 PCB mount with additional mounting option, 4 pole, male (horizontal), coding mains 250 V/ 400 V, 20 A, coding color black
92.207.1000.1	Cable assembly GST18i4KSBS 15 10SW	GST18i4 connection cable female - male, length 1.0 m, 4 pole, coding mains 250 V/ 400 V, 16 A, coding color black, strain relief color black, cable color black, cross section 1.5 mm <sup>2</sup> , cable type H05VV-F, fire class: Eca

92.207.1003.1	Cable assembly GST18i4KSB- 15 10SW	GST18i4 extension cable female - free end, length 1.0 m, 4 pole, coding mains 250 V/ 400 V, 16 A, coding color black, strain relief color black, cable color black, cross section 1.5 mm <sup>2</sup> , cable type H05VV-F, fire class: Eca
92.207.1004.1	Cable assembly GST18i4KS-S 15 10SW	GST18i4 extension cable male - free end, length 1.0 m, 4 pole, coding mains 250 V/ 400 V, 16 A, coding color black, strain relief color black, cable color black, cross section 1.5 mm <sup>2</sup> , cable type H05VV-F, fire class: Eca
92.944.1053.1	Connector GST18i4F S2 ZR2 SW	Connector GST18i4, 4 pole, male, spring clamp connection, for cable diameter 6,5 - 9,0 mm, 250/400 V, 20 A, colour of coding: black, colour of housing: black



Buchsenteil mit Zugentlastung  
92.943.1053.0 10W  
 11.04.2008 Weisensel F.  
 M 1:1