

## Data sheet

Commercial Art.No.: 92.932.3053.1

Connector GST18i3S S1 ZR1 SW

GST18i3 connector, 3 pole, male with screw connection, coding mains 250 V, 20 A, coding color black, strain relief color black



Commercial Art.No.	92.932.3053.1
EAN	4015573721876
Order Unit	1

Certificates / Approvals



## Technical data

### General

Rated current	20 A
Rated voltage	250 V
Rated impulse voltage	4 kV
strain relief	yes
Pollution degree	2
Mechanical coding	Code 1
Lockable	self-locking (unlocking by tool)
Color of coding/ contact carrier	black
Marking of poles	L, N, PE
Color of housing inclusive strain relief	black

### Connection Data

Cable diameter max.	10.5 mm
Cable diameter min.	6.5 mm
Connection cross section solid mm <sup>2</sup> max.	2.5 mm <sup>2</sup>
Connection cross section solid mm <sup>2</sup> min.	0.75 mm <sup>2</sup>
Connection cross section fine stranded mm <sup>2</sup> max.	2.5 mm <sup>2</sup>
Connection cross section fine stranded mm <sup>2</sup> min.	0.75 mm <sup>2</sup>
Terminations per pole	1
sheath strip length	38.5 mm
Wire strip length	7 mm

### Model

Model	male
Connection type	screw connection

Degree of protection (IP)	IP20
---------------------------	------

#### Material

Housing material	Polyamide
halogen free	yes
Contact material	CuZn
Fire load	0.093 kWh
Insulation components continuous temperature	100 °C
Surface finish	Tin-plated

#### Dimensions

Length	69.4 mm
Width	28.2 mm
Height	12.6 mm

#### Classification

ECLASS 11	
ECLASS 8.1	27440605
ETIM 7.0	EC002560
ETIM 6.0	EC002560
ETIM 5.0	EC002560
ETIM 4.0	EC002560

#### Product compliance

ROHS conformity status	Compliant/Exempted
ROHS exceptions	III-6(c)
REACH-SVHC conformity status	Duty-To-Declare
REACH-SVHC substances	Lead
REACH-SVHC CAS numbers	7439-92-1

#### Accessories

Commercial Art.No.:	Article-type description:	Description:
05.587.3156.0	Lock (G)ST18 WS	Locking device for cable to cable connection GST18i3-5, white
06.561.7853.0	mounting frame GST18i3 SW	Mounting frame to snap in GST18i3 connectors into a housing or furniture. Wall thickness: 1,5-2,5 mm. Holds GST18i3 connectors with screw or spring connection and pre- assembled cables.
05.561.3653.0	cover cap GST18i3VS B WS	Cover piece for female GST18i3, white
05.561.3653.1	cover cap GST18i3VS B SW	Cover piece for female GST18i3, black
05.564.5353.0	cover cap GST18i3/4/5 SW	Cover piece 12 pole black for female parts GST18i3-6
05.564.5353.2	cover cap GST18i3/4/5 WS	Cover piece 12 pole white for female parts GST18i3-6
05.594.4250.0	cover cap ST18/3B + GST18i3 ST WS	
05.594.4253.0	cover cap ST18/3B + GST18i3 ST WS	
05.587.3156.1	Lock (G)ST18 SW	Locking device for cable to cable connection GST18i3-5, black

93.053.6009.0	Small distribution board WIV GST18i3 20kVA	<p>geis® WIV: pre-wired for plug-in to an RST50 or 32 A CEKON three-phase power supply for a maximum connection power of 20kVA. The outputs are carried out via the GST18 plug-in system. Each circuit is individually secured, the 16 A outputs are FI- protected. Several connections can be switched on or off via a common main switch. The distribution system consists of switchable and non- switchable outputs. If necessary, the non-switchable outputs can be used for example. Emergency lighting or cooling systems are operated. They are also suitable for extending existing installations and are easy to commission. Adapter line 32 A CEKON on RST50 is included.</p>
93.053.6010.0	Small distribution board WIV GST18 20 kVA Typ 2	<p>geis® WIV: pre-wired for plug-in to an RST50 or 32 A CEKON three-phase power supply for a maximum connection power of 20kVA. The outputs are carried out via the GST18 plug-in system. Each circuit is individually secured, the 16 A outputs are FI- protected. Several connections can be switched on or off via a common main switch. The distribution system consists of switchable and non- switchable outputs. If necessary, the non-switchable outputs can be used for example. Emergency lighting or cooling systems are operated. They are also suitable for extending existing installations and are easy to commission. Adapter line 32 A CEKON on RST50 is included in the scope of delivery.</p>
93.053.7006.0	Small distribution board WIV GST18i.. 40kVA	<p>geis® WIV: pre-wired for plug-in 32 A CEKON three-phase power supply for a maximum connection power of 40kVA. The outputs are carried out via the GST18 plug-in system. Each circuit is individually secured, the 16 A outputs are FI-protected. Several connections can be switched on or off via a common main switch. The distribution system consists of switchable and non-switchable outputs. If necessary, the non-switchable outputs can be used for example. Emergency lighting or cooling systems are operated. They are also suitable for extending existing installations and are easy to commission. A further geis® Wieland system distributor 20kVA can be supplied via the secured, plug-in transmission via RST 50. Adapter line 32 A CEKON on RST50 is included in the scope of delivery.</p>
93.053.7007.0	Small distribution board WIV GST18 40 kVA Typ 2	<p>geis® WIV: pre-wired for the plug-in 63 A CEKON three-phase power supply for a maximum connection power of 40kVA. The outputs are carried out via the GST18 plug-in system. Each circuit is individually secured, the 16 A outputs are FI-protected. Several connections can be switched on or off via a common main switch. The distribution system consists of switchable and non-switchable outputs. If necessary, the non-switchable outputs can be used for example. Emergency lighting or cooling systems are operated. They are also suitable for extending existing installations and are easy to commission. A further geis® Wieland system distributor 20kVA can be supplied via the secured, plug-in transmission via RST 50. Adapter line 32 A CEKON on RST50 is included in the scope of delivery.</p>

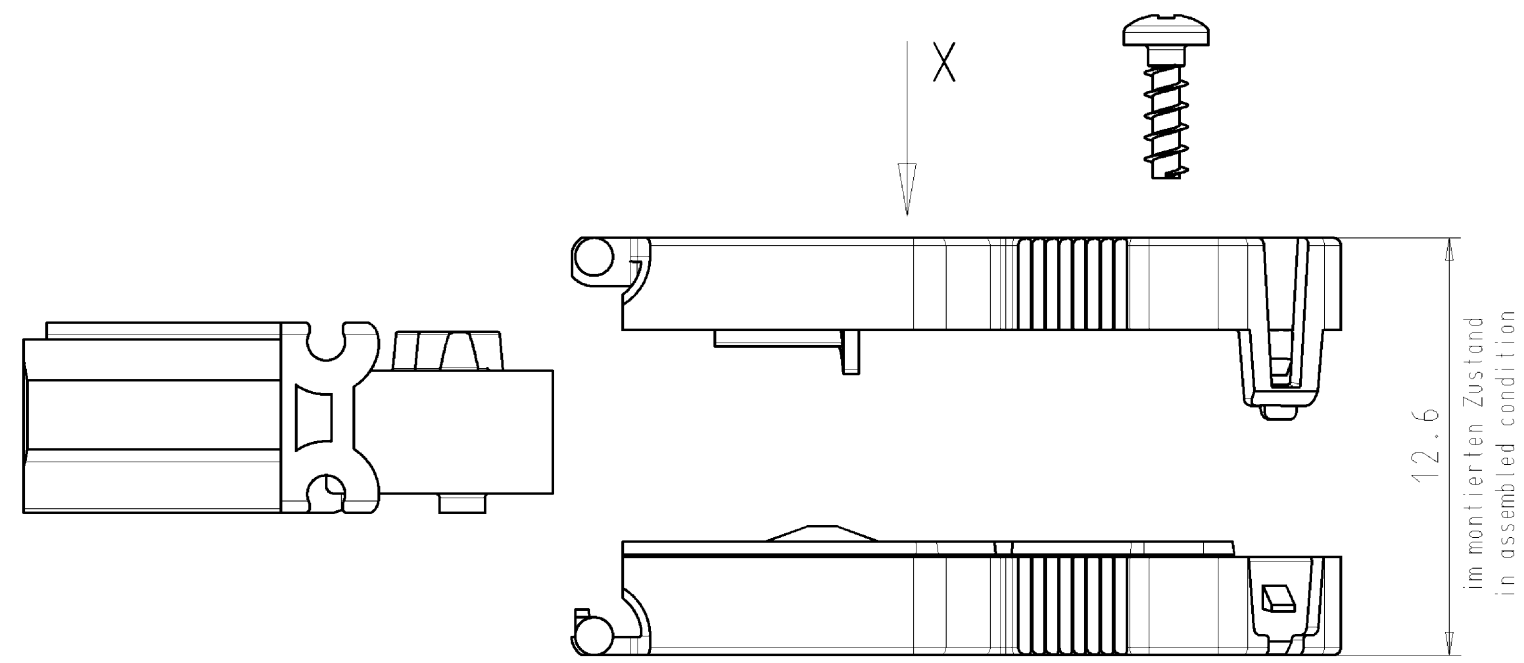
## Fits with

Commercial Art.No.:	Article-type description:	Description:
92.931.3053.1	Connector GST18i3S B1 ZR1 SW	GST18i3 connector, 3 pole, female with screw connection, coding mains 250 V, 20 A, coding color black, strain relief color black
92.031.3258.1	Device connector GST18i3S B1 SW	GST18i3 built-in component, 3 pole, female with screw connection, coding mains 250 V, 20 A, coding color black
92.031.0058.1	Device connector GST18i3L B1V SW	GST18i3 PCB mount with additional mounting option, 3 pole, female (vertical), coding mains 250 V, 20 A, coding color black

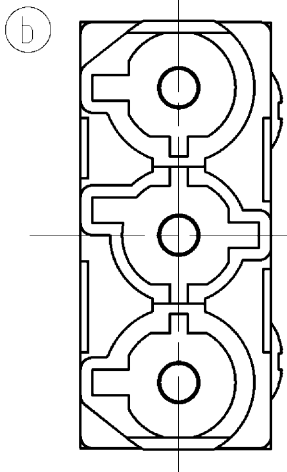
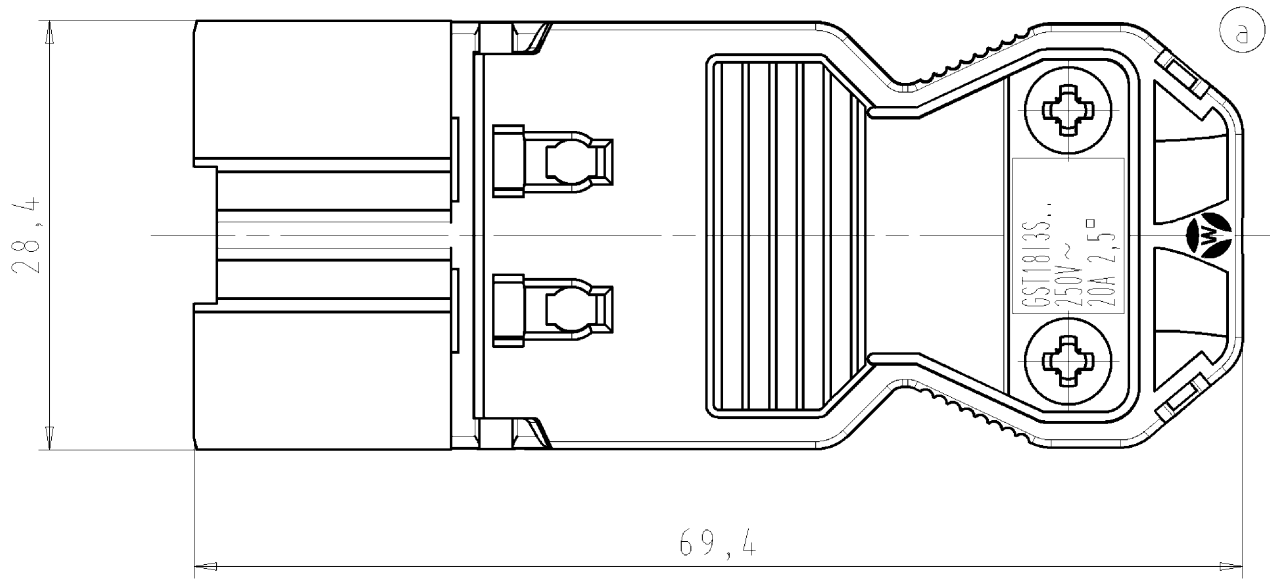
92.232.1007.1	Cable assembly GST18i3K1BD 15 10SW	GST18i3 mains-extension cable female - Schuko®, length 1.0 m, 3 pole, coding mains 250 V, 16 A, coding color black, strain relief color black, cable color black, cross section 1.5 mm <sup>2</sup> , cable type H05VV-F, fire class: Eca
92.232.1000.1	Cable assembly GST18i3K1BS 15 10SW	GST18i3 connection cable female - male, length 1.0 m, 3 pole, coding mains 250 V, 16 A, coding color black, strain relief color black, cable color black, cross section 1.5 mm <sup>2</sup> , cable type H05VV-F, fire class: Eca
92.232.1003.1	Cable assembly GST18i3K1B- 15 10SW	GST18i3 extension cable female - free end, length 1.0 m, 3 pole, coding mains 250 V, 16 A, coding color black, strain relief color black, cable color black, cross section 1.5 mm <sup>2</sup> , cable type H05VV-F, fire class: Eca
92.232.1004.1	Cable assembly GST18i3K1-S 15 10SW	GST18i3 extension cable male - free end, length 1.0 m, 3 pole, coding mains 250 V, 16 A, coding color black, strain relief color black, cable color black, cross section 1.5 mm <sup>2</sup> , cable type H05VV-F, fire class: Eca

These dimensions will be especially checked at delivery  
 Only inspection dimensions  
 With /E marked dimensions are only valid for internal use

Diese Maße werden bei Abnahme besonders geprüft  
 Ausschließlich Prüfmaße  
 Mit /E gekennzeichnete Maße sind nur für interne Zwecke gültig



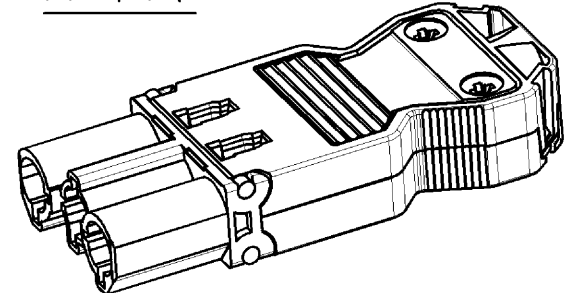
Ansicht in Pfeilrichtung X im montiertem Zustand  
view in arrow direction X, drawn in assembled condition



Weitere Daten siehe Katalog  
 further data see catalog

Teile-Nr. part-no	Farbe colour	Typ type
92.932.3053.0	weiß white	GST1813S S1 ZR1 WS
92.932.3053.1	schwarz black	GST1813S S1 ZR1 SW

M 1:1



Tolerierung Size ISO 14405 (E) / Tolerance system Size ISO 14405 (E). (This ISO-standard describes the envelope principle. According to the envelope principle the deviations of form and parallelism are limited by the size tolerances).				ja/yes <input checked="" type="checkbox"/> Stoffverbots- und Deklarationsliste nach UU-TOM-05/03 ist einzuhalten. Conformity with Wieland document UU-TOM-05/03 (list of prohibited / declarable hazardous substances) to be declared!			
Freitoleranz nach - General tolerance		CAD - Zeichnung, keine manuellen Änderungen CAD - drawing, no manual modifications allowed		1. Verwendung: - First Use:		Blatt: 1 von 1 Sheet: of	
		Werkstoff/Material		2005 Tag/Date Name		Zeichnung Nr./Drawing No. Index	
				gezeichnet/drawn 22.09. Schmitt J.		T 92.932.3053.0 01K b	
		Maßstab/Scale		geprüft/checked - -		Maße in mm/Dimensions are in mm	
		x		Normgepr. / Stand. check - -			
		Vol. mm³		Ofl./Surf. mm²		Ersatz für/Replacement for: -	
b 21.01.2013/		wieland		Type		Benennung/Titel MALE CONNECTOR WITH STRAIN RELIEF	
a 22.10.2012/				s. Tabelle see table		STECKERTEIL MIT ZUGENTLASTUNG	
Index Datum / Blatt Date / Sheet		Elektrische Verbindungen				Install.-Steckverb. m. Schraubanschl./connector with screw connection	
Änderung/Revision						a 250V AC 20A 2,5qmm	

Weitergabe sowie Vervielfältigung dieses Dokuments, Verwertung und Mitteilung seines Inhalts sind verboten, soweit nicht ausdrücklich gestattet. Die Reproduktion, Distribution und Nutzung dieses Dokuments sowie die Kommunikation der Inhalte mit anderen ohne ausdrückliche Genehmigung ist untersagt.

929323053001K\_2\_CADW3029\_Schmitt\_2013-01-21T08:36:40 1.000