

Data sheet

Commercial Art.No.: 91.952.3353.0

Connector GST15i5S S1 ZW1 W BL02

GST15i5 connector, 5 pole, male, with screw connection (angled), for cable diameters 6-11.5 mm, coding SELV, 13 A, coding color light blue, strain relief color white



Commercial Art.No.	91.952.3353.0
EAN	4015573911543
Order Unit	1

Certificates / Approvals



Technical data

General

Rated current	13 A
Rated voltage	50 V
Rated impulse voltage	4 kV
strain relief	yes
Pollution degree	2
Mechanical coding	yes
Lockable	self-locking (unlocking by tool)
Color of coding/ contact carrier	light blue
Marking of poles	1, 2, 3, 4, 5
Color of housing inclusive strain relief	white

Connection Data

Cable diameter max.	11.5 mm
Cable diameter min.	6 mm
Connection cross section solid mm ² max.	2.5 mm ²
Connection cross section solid mm ² min.	0.5 mm ²
Connection cross section fine stranded mm ² max.	2.5 mm ²
Connection cross section fine stranded mm ² min.	0.5 mm ²
Terminations per pole	1
sheath strip length	32 mm
Wire strip length	8 mm

Model

Model	male
Connection type	screw connection
Degree of protection (IP)	IP20

Housing material	Polyamide
halogen free	yes
Contact material	CuZn
Fire load	0.108 kWh
Insulation components continuous temperature	100 °C
Surface finish	Silver-plated

Dimensions

Length	63 mm
Width	32.6 mm
Height	15 mm

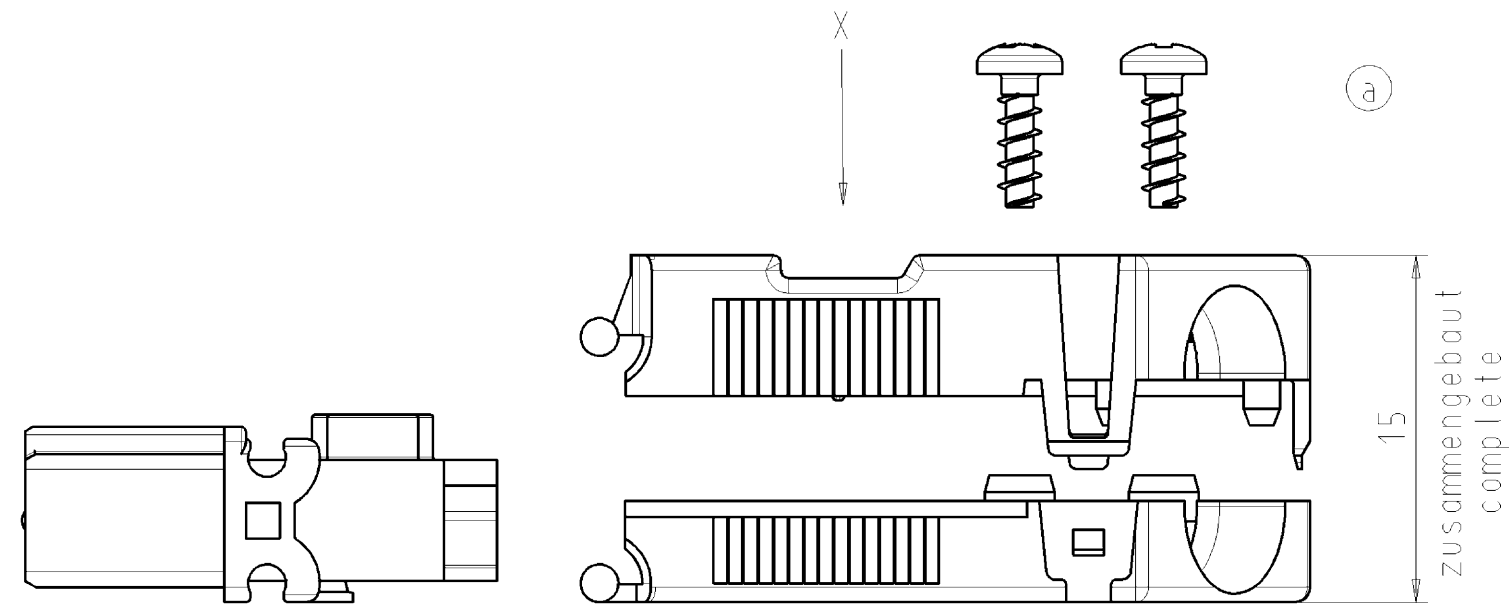
Classification

ECLASS 11	
ECLASS 8.1	27440605
ETIM 7.0	EC002560
ETIM 6.0	EC002560
ETIM 5.0	EC002560
ETIM 4.0	EC002560

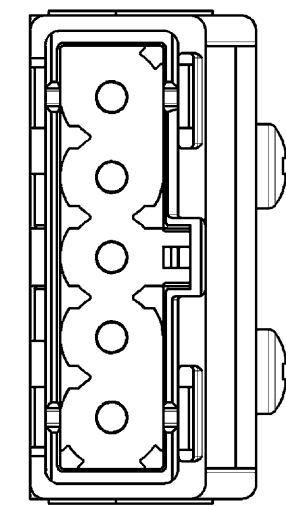
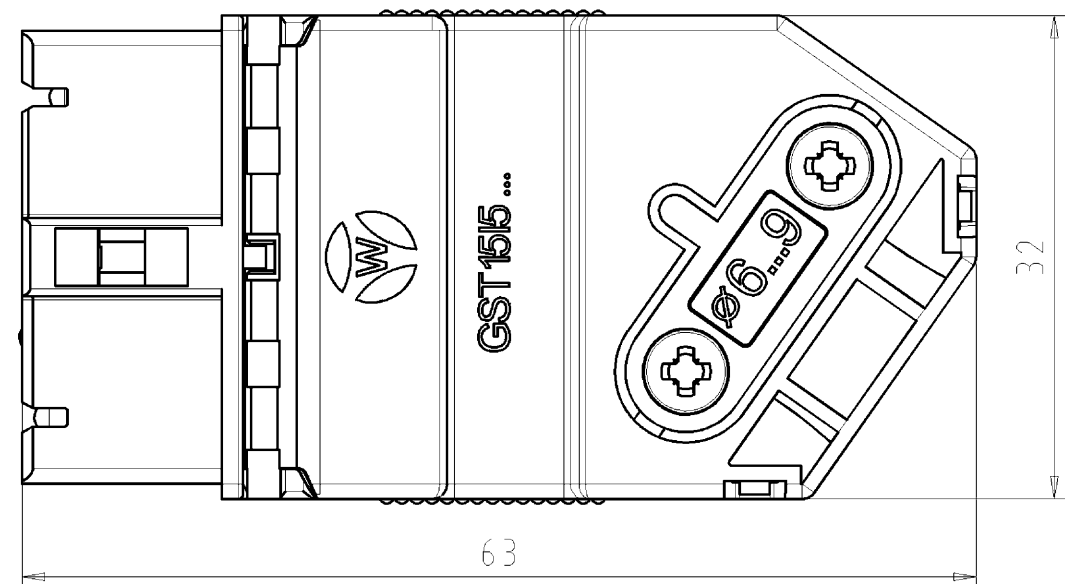
Product compliance

ROHS conformity status	Compliant/Exempted
ROHS exceptions	III-6(c)
REACH-SVHC conformity status	Duty-To-Declare
REACH-SVHC substances	Lead
REACH-SVHC CAS numbers	7439-92-1

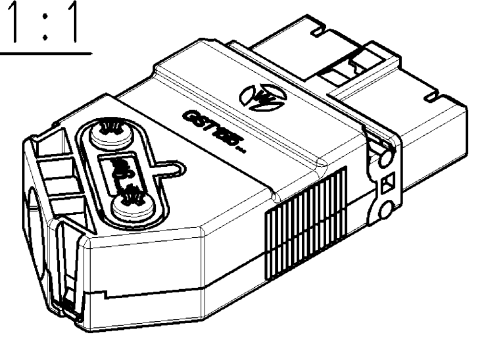
These dimensions will be especially checked at delivery
 Only inspection dimensions
 With /E marked dimensions are only valid for internal use



Ansicht / view X



M 1:1



Teile-Nr.:	Farbe:
part number:	colour:
91.952.3353.0	weiß, ähnl./white similar RAL 9003
91.952.3353.1	schwarz, ähnl./black similar RAL 9005

Tolerierung nach DIN 7167/Tolerance system acc. to DIN 7167. (This DIN-standard describes the envelope principle. According to the envelope principle the deviations of form and parallelism are limited by the size tolerances).		ja/yes <input checked="" type="checkbox"/> Stoffverbots- und Deklarationsliste nach UU-TQM-05/03 ist einzuhalten. Conformity with Wieland document UU-TQM-05/03 (list of prohibited / declarable hazardous substances) to be declared!	
Freitoleranz nach General tolerance		CAD - Zeichnung, keine manuellen Änderungen CAD - drawing, no manual modifications allowed	1. Verwendung: - First Use:
Blatt: 1 von 1 Sheet: 1 of 1		Zeichnung Nr./Drawing No.	
/		Werkstoff/Material siehe Tabelle	2007 Tag/Date Name
/		Maßstab/Scale 2:1	gezeichnet drawn 21.05. Schmitt J.
/		Vol. mm ³ Öl./Surf. mm ²	geprüft checked - -
/		Normgepr. Stand. check - -	
/		Ersatz für/Replacement for: -	
/		Maße in mm/Dimensions are in mm	
/		Type Benennung/Title	
a 03.12.2010/ Index Datum / Blatt Date / Sheet		wieland Elektrische Verbindungen	
Änderung/Revision		STECKERT_M_ZUGENTL GST1515 (Niedervolt / low voltage) male connector with strain relief	

Weitergabe sowie Vervielfältigung dieses Dokuments, Verwertung und Mitteilung seines Inhalts sind verboten, soweit nicht ausdrücklich gestattet.
 The reproduction, distribution and utilization of this document as well as the communication of its contents to others without express authorization is prohibited.

919523353001K_4 CADW2037 Duelsch 2010-12-06T14:28:34 1.000 QU-PEM-08/91