

Data sheet

Commercial Art.No.: 71.430.1037.1

Bottom BAS GUM GL 10 M20 B1

Bottom-base revos basic metal-series without coating, with single locking lever and threaded hole M20 on the right and left side, low version, 10-polig



Commercial Art.No.	71.430.1037.1
EAN	4049088350634
Order Unit	1

Technical data

General

Housing material	aluminum
Color	Grey
Surface	Bare
Degree of protection (IP)	IP66
UV resistant	yes
Inflammability class of insulation material acc. with UL94	Other
Operating temperature range min.	-40 °C
Operating temperature range max.	120 °C

Model

Construction	10
Locking mechanism	Single locking lever
Cable entry	Two-sided
Type of cable	Thread
With cable screw gland	No
Thread size M	20
Thread size PG	
Hinged lid	No
EMC-version	No
Length	94 mm
Width	68 mm
Height	55 mm

Classification

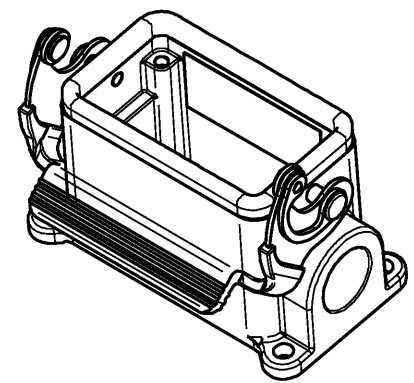
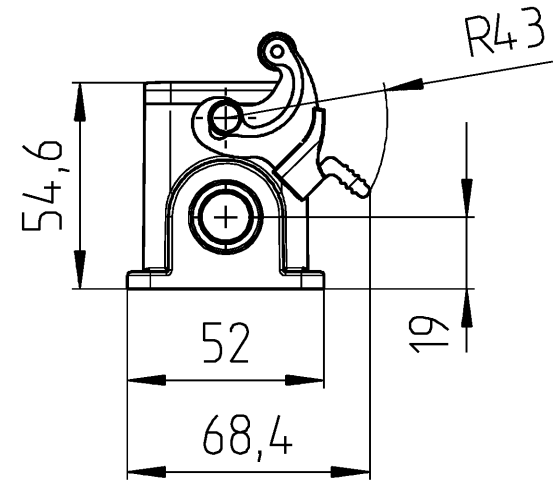
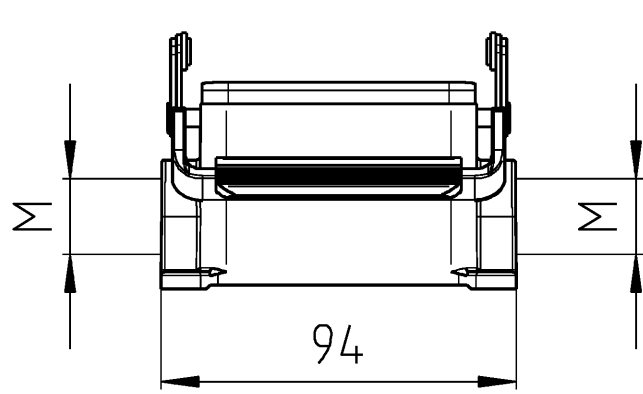
ECLASS 11	
-----------	--

ECLASS 8.1	27440202
ETIM 7.0	EC000437
ETIM 6.0	EC000437
ETIM 4.0	EC000437
ETIM 3.0	EC000437

Fits with

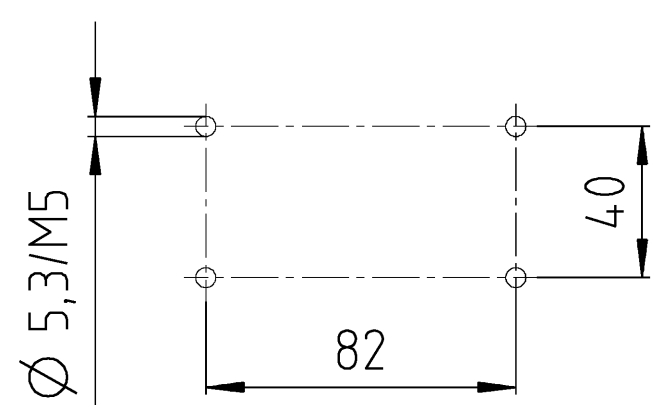
Commercial Art.No.:	Article-type description:	Description:
70.300.1040.0	Female insert BAS BUS 10 2,5 50	Female insert revos basic, 10-poles, rated current: 16A, rated voltage:500V, with tin-plated contacts
70.301.1040.0	Female insert BAS BUS 10 2,5 50 AU	Female insert revos basic, 10-poles, rated current: 16A, rated voltage:500V, with gold-plated contacts
70.302.1040.0	Female insert BAS BUS OD 10 2,5 50	Female insert revos basic, 10-poles, rated current: 16A, rated voltage:500V, with tin-plated contacts
70.310.1040.0	Male insert BAS STS 10 2,5 50	Male insert revos basic, 10-poles, rated current: 16A, rated voltage: 500V, with tin-plated contacts
70.311.1040.0	Male insert BAS STS 10 2,5 50 AU	Male insert revos basic, 10-poles, rated current: 16A, rated voltage: 500V, with gold-plated contacts
70.312.1040.0	Male insert BAS STS OD 10 2,5 50	Male insert revos basic, 10-poles, rated current: 16A, rated voltage: 500V, with tin-plated contacts
70.500.1053.0	Female insert BAS BUF 10 2,5 50	Female insert revos basic, 10-poles, rated current: 16A, rated voltage:500V, with silver-plated contacts
70.510.1053.0	Male insert BAS STF 10 2,5 50	Male insert revos basic, 10-poles, rated current: 16A, rated voltage: 500V, with tin-plated contacts
70.700.1058.0	Female insert BAS BUC 10 50	Female insert revos basic, 10-poles, rated current: 16A, rated voltage:500V, with tin-plated contacts
70.710.1058.0	Male insert BAS STC 10 50	Male insert revos basic, 10-poles, rated current: 16A, rated voltage: 500V, with tin-plated contacts
70.800.1856.0	Female insert BAS BUCK 18 50 PC	Female insert revos basic, 18-poles, polycarbonate insert, rated current: 16A, rated voltage: 500V, with gold-plated or silver-plated contacts
70.810.1856.0	Male insert BAS STCK 18 50 PC	Male insert revos basic, 18-poles, polycarbonate insert, rated current: 16A, rated voltage: 500V, with gold-plated or silver-plated contacts
70.400.0340.0	Female insert BAS BUS 3 2,5 64	Female insert revos basic, 3-poles, rated current: 16A, rated voltage: 690V, with tin-plated contacts
70.410.0340.0	Male insert BAS STS 3 2,5 64	Male insert revos basic, 3-poles, rated current: 16A, rated voltage: 690V, with tin-plated contacts
72.300.1053.0	Female insert BAS BUS 10 2,5 69	Female insert revos basic, 10-poles, rated current: 16A, rated voltage:690V, with tin-plated contacts
72.310.1053.0	Male insert BAS STS 10 2,5 69	Male insert revos basic, 10-poles, rated current: 16A, rated voltage: 690V, with tin-plated contacts
72.700.1058.0	Female insert BAS BUC 10 69	Female insert revos basic, 10-poles, rated current: 16A, rated voltage:690V, with tin-plated contacts
72.710.1058.0	Male insert BAS STC 10 69	Male insert revos basic, 10-poles, rated current: 16A, rated voltage: 690V, with tin-plated contacts
70.506.0353.0	Female insert BAS BUF 3 2,5 83 AG	Female insert revos basic, 3-poles, rated current: 16A, rated voltage: 830V, with silver-plated contacts
70.516.0353.0	Male insert BAS STF 3 2,5 83 AG	Male insert revos basic, 3-poles, rated current: 16A, rated voltage: 830V, with silver-plated contacts
73.800.4253.0	Female insert DD BUC 42 1,5 25	revos DD 42 pole + ground, female insert 250V/10A, crimp connection
73.810.4253.0	Male insert DD STC 42 1,5 25	revos DD 42 pole + ground, male insert 250V/10A, crimp connection
70.405.1053.0	Female insert BAS BUP 10 2,5 50 AG	Female insert revos basic, 10-poles, rated current: 16A, rated voltage:500V, with silver-plated contacts

70.415.1053.0	Male insert BAS STP 10 2,5 50 AG	Male insert revos basic, 10-poles, rated current: 16A, rated voltage: 500V, with silver-plated contacts
---------------	----------------------------------	---



A These dimensions will be especially checked at delivery
 B Only inspection dimensions
 C With /E marked dimensions are only valid for internal use
 D Diese Maße werden bei Abnahme besonders geprüft
 E Ausschließlich Prüfmaße
 F Mit /E gekennzeichnete Maße sind nur für interne Zwecke gültig

71.430.1037.1	BAS GUM GL 10 M25 M20 B1	Gewindebohrung /Thread hole
Bestellnummer /Order number	Typ /Type	Varianten /Variants
Weitere Daten siehe KATALOG oder eKatalog. Additional data see CATALOG or eCatalog.		www.wieland-electric.com eshop.wieland-electric.com



Bohrbild /Cut out

Tolerierung Size ISO 14405 (E) / Tolerance system Size ISO 14405 (E). (This ISO-standard describes the envelope principle. According to the envelope principle the deviations of form and parallelism are limited by the size tolerances).		ja/yes <input checked="" type="checkbox"/> Stoffverbots- und Deklarationsliste nach WN 5020.010 ist einzuhalten. Conformity with Wieland document WN 5020.010 e (list of prohibited / declarable hazardous substances) to be declared!	
Freitoleranz nach General tolerance		CAD - Zeichnung, keine manuellen Änderungen CAD - drawing, no manual modifications allowed	1. Verwendung: First Use:
Werkstoff / Material Aluminium		Tag/Date 03.05.2016	Name Lunz S.
Maßstab / Scale 1:2		Zeichnung Nr. / Drawing No. T 71.430.1037.1 13K	
Vol.. --- mm ³ Dfl./Surf. --- mm ²		Ersatz für / Replacement for:	
www.wieland-electric.com		Type revos BASIC M	Benennung/Title GEHAUSEUNTERTEIL Baugröße 10 - Kabelabgang 2xM20/M25 Housing size 10 - cable outlet 2xM20/M25
Index	Datum / Blatt Date / Sheet	Blatt: 1 von Sheet: 1 of	
Änderung / Revision		Maße in mm / Dimensions are in mm	

Weitergabe sowie Vervielfältigung dieses Dokuments, Verwertung und Mitteilung seines Inhalts sind verboten, soweit nicht ausdrücklich gestattet. Die Reproduktion, Distribution und Nutzung dieses Dokuments sowie die Kommunikation der Inhalte mit Dritten ohne ausdrückliche Genehmigung ist untersagt.