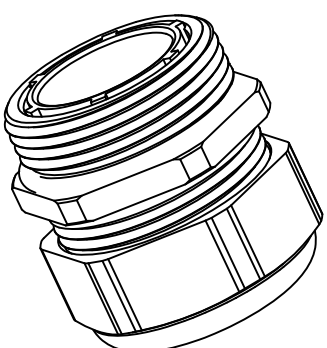
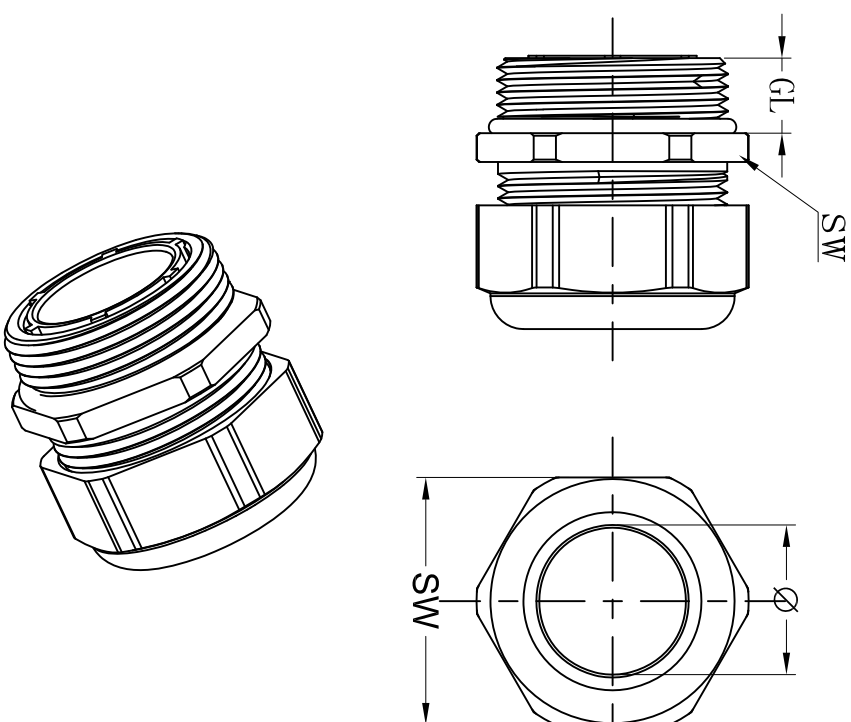


REVISION RECORD				
REV	ECN	DESCRIPTION	DRFT	DATE

Metric	PG	Clamping range (∅)	SW	GL	Type
	Pg7	3-6.5	15	8.5	DDL-PG7P
	Pg9	4-8	19	8.0	DDL-PG9P
	Pg11	5-10	22	8.0	DDL-PG11P
	Pg13.5	6-12	24	10.0	DDL-PG13.5P
	Pg16	8-14	27	10.0	DDL-PG16P
	Pg21	13-18	33	11	DDL-PG21P
	Pg29	18-25	42	11	DDL-PG29P
	Pg36	22-32	52	13	DDL-PG36P
	Pg42	31-38	60	15	DDL-PG42P
	Pg48	37-44	65	14	DDL-PG48P
M12x1.5		3-6.5	15	8	DDL-M12P
M16x1.5		4-8	19	8	DDL-M20P
M20x1.5		6-12	24	9	DDL-M20P
M25x1.5		13-18	33	11	DDL-M25P
M32x1.5		18-25	42	11	DDL-M32P
M40x1.5		22-32	51	13	DDL-M40P
M50x1.5		31-38	60	13	DDL-M50P
M63x1.5		37-44	65	14	DDL-M63P



Plastics Cable gland
 Material:Nylon
 Colour:black or grey
 Seal Material:NBR
 Degree of protection:IP68
 Press seal material:PA
 Temperature range:-40~100°C

DETACHED LISTS			
PART NO.:	/	NAME:	DEGSON® NINGBO DEGSON ELECTRICAL CO.,LTD 宁波高松电子有限公司
APPD:		TITLE:	Plastics Cable gland
CHKD:		DRAWING NO.:	
DRFT:	2016.09.22	REV	DO-1
THIRD ANGLE PROJECTION		SHEET	1/1
		DO NOT SCALE DRAWING	SCALE