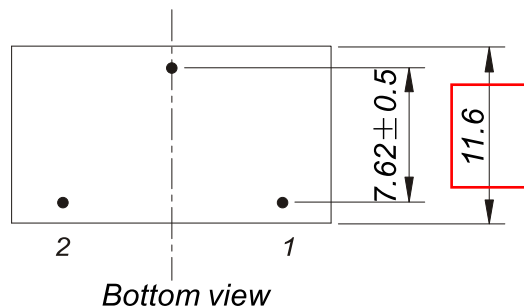
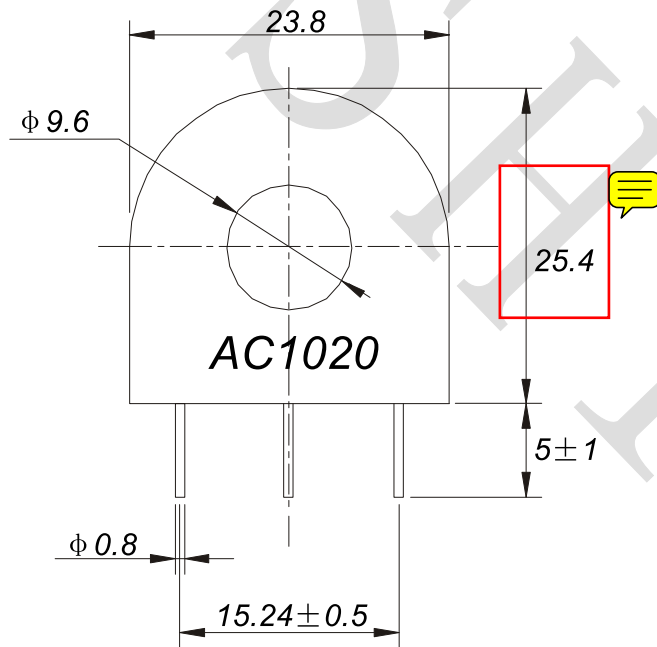




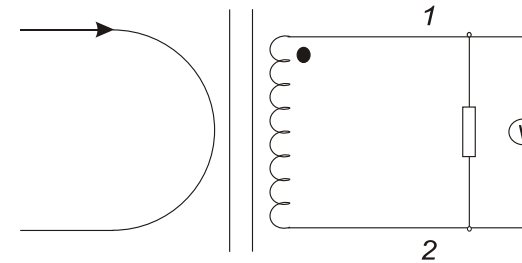
1. PHYSICAL CHARACTERISTICS (mm)



NOTES:

Temp 20°C 48%RH
RoHS Compliant

2. ELECTRONICAL SCHEMATIC



3. ELECTRONICAL SPECIFICATIONS

Turns ratio: 1000:1
 Rated current: 20A
 Output current: 20mA
 Hi-Pot: Pri to Sec AC4KV 1mA 1Min
 RDC: $41.8\Omega \pm 15\%$ @ $T=20^\circ\text{C}$
 Operating temperature: -55°C to 120°C

4. MATERIAL LIST

NO	Materials	Specifications	Supplier
1	Shell	PC	SHANGHAIDALONG
2	Wire	2UEW	PENGTAI
3	Core	Ultramicro crystal	ZHONGTIANKELIN
4	Epoxy	9241#(A:B)	TAINJINQIAO

NAME: Current transformer

CUSTOMER P/N: AC1020 DATE: 2019-03-04

SHINHOM P/N: ACST010C-20A-20mA REV: A0 PAGE

DRAWN BY CHECKED BY APPROVE BY



SHINHOM
SHAANXISHINHOM ENTERPRISE CO LTD

TEL:+86-029-87851838
 FAX:+86-029-87851840
 ZIP:710054
 Http://www.shinhom.com
 E-mail:shinhom@globalsources.com
 sales@shinhom.com.cn
 NO. 8, Yanta Northern Road, Xi'an Shaanxi Pro. China