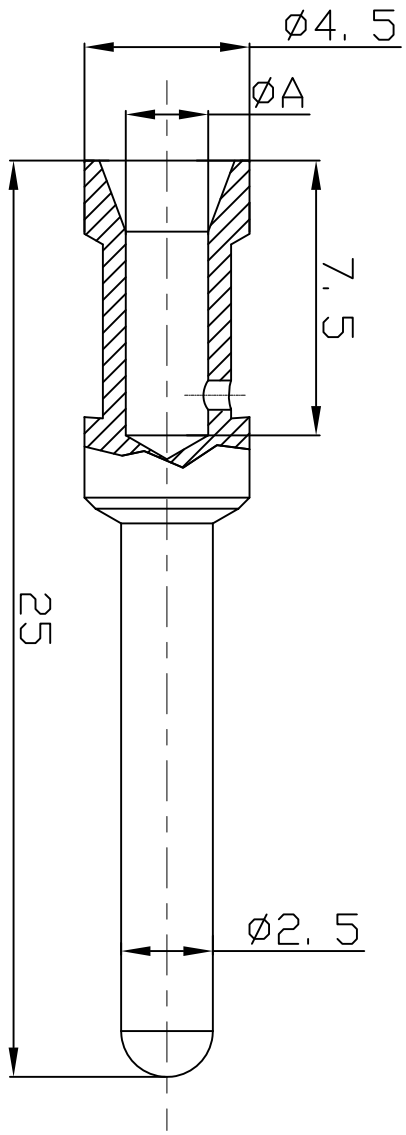


REVISION RECORD				
REV	ECN	DESCRIPTION	DRFT	DATE

Contacts, silver-plated	(∅A)	Wire gauge		Recommended stripping length
		(mm ²)	(AWG)	
Type of products				
16A-SM-0.37	0.9	0.14-0.37	26-22	7.5mm
16A-SM-0.5	1.1	0.50	20	7.5mm
16A-SM-0.75	1.3	0.75	18	7.5mm
16A-SM-1.0	1.45	1.00	18	7.5mm
16A-SM-1.5	1.75	1.50	16	7.5mm
16A-SM-2.5	2.25	2.50	14	7.5mm
◆ 16A-SM-4.0	2.85	4.00	12	7.5mm



Crimp contacts

01. Material :Copper alloy
02. Surface :Hard-silver plated
03. Contact resistance : $\leq 1m\Omega$
04. Terminal :Crimp connection
05. Wire gauge : 0.37-4.0mm² (AWG 22-12)
06. Rohs Compliance

DETACHED LISTS			
PART NO.:	/	NAME:	DEGSON ® NINGBO DEGSON ELECTRICAL CO., LTD 宁波高松电子有限公司
APPD:		TITLE:	16A-Male Contacts(Silver-plated)
CHKD:		DRAWING NO.:	/
DRFT:	Mr. Yang 2016.06.06	DO NOT SCALE DRAWING	SCALE
THIRD ANGLE PROJECTION		1/1	5:1