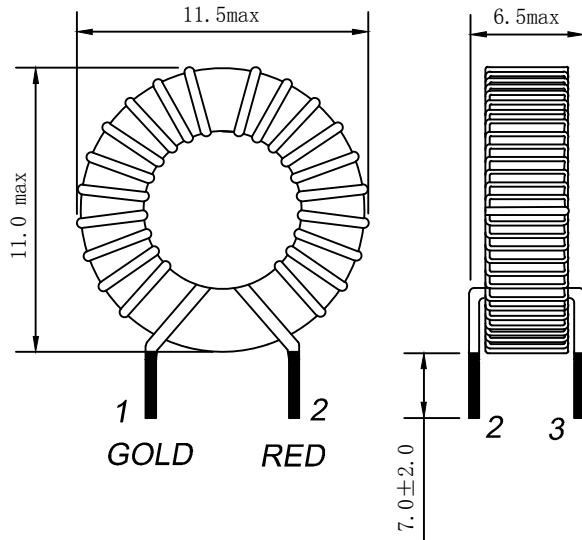
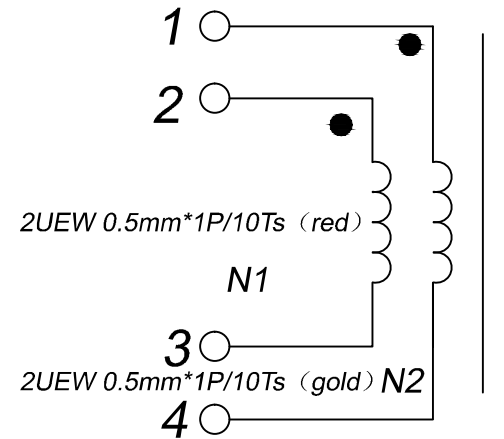


CUSTOMER TERMINAL	ROHS	Lead (Pb) -free
	YES	YES

1. Mechanical Dimensions



2. Schematic Diagram



3. Material List

Core:FW5K-T9*5*3
 Wire:2UEW 0.50mm 130°C

4. Electrical Specification

Inductance:L(1-4)=L(2-3)=230uH±30% 1KHZ,1V

REV.	DATE	<p>Convention Placement</p>	DRW.		Drawing Title:	Part No:
0	09/25		CHK.		<p>CHOKE</p>	FWCMT090503201M
<p>RoHS</p>		<p>www.ferriwo.com</p>	APP.		Customer P/N:	Specification Sheet 1 of 1
					T9*5*3	