

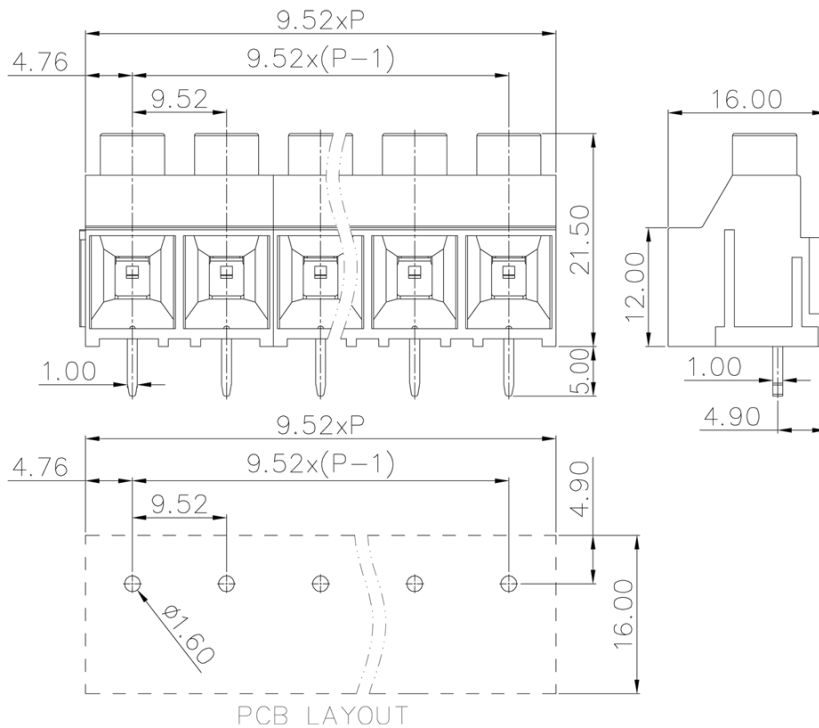
Category: 固定式端子/Plug-in terminal-plug

Product name: MC-TH9.52HXXC-0001

Product Description: 9.52mm , 1000V , 32A CE



Product Picture



基本信息 /Basic Information

产品型号 SUPU ID	MC-TH9.52HXXC-0001
产品间距 Pitch	9.52mm
产品层数 Number of levels	1
产品位数 Number of connections	2P-12P
接线方式 Connection method	螺钉接线 Screw connection
防护等级 Protection Level	IP20

工作温度 Work temperature	-40~+105°C
--------------------------	------------

IEC数据 /IEC Data

额定电流 Rated Current	32A		
额定电压 Rated Voltage	1000V		
过压类别 Overvoltage category	III	III	II
污染等级 Pollution degree	3	2	2
额定冲击电压 Rated impulse voltage	8KV	8KV	6KV
额定电压 Rated Voltage	800V	1000V	1000V
硬导线截面积 Conductor cross section solid	0.2-6.0mm ²		
柔性导线截面积 Conductor cross section flexible	0.2-6.0mm ²		
柔性导线截面积，带绝缘管套 Conductor cross section flexible,with furrule	0.2-4.0mm ²		
锁线螺钉规格 Locking screw Specification	M3		
额定扭矩 Rated Torque	0.5N.M		
固定螺钉规格 Fixed Screw Specification	-		
额定扭矩 Rated Torque	-		
剥线长度 Stripping length	8-9mm		

UL数据 /UL Data

使用组别 Use group	B	C	D
额定电流 Rated Current	30A	30A	5A
额定电压 Rated Voltage	300V	300V	600V

额定接线容量 Rated cross section	24-10AWG
-------------------------------	----------

材料信息 /Material Data

绝缘材料 Insulation material	PA66
绝缘材料组别 Insulation material group	I
阻燃等级,符合UL94 Flame retardant grade, UL94 compliance	V0
导电体材料 Contact material	Copper alloy
导电体表面镀层 Surface characteristics	Sn,Plated

产品认证 /Product Certification

认证图标 Certificate	
---------------------	--

UL证书号 UL file No.

VDE证书号 VDE No.

TUV证书号 TUV No.

Ningbo Supu Electronics Co.,Ltd

Zip code: 315303

Fax: +86 574-63288170

E-mail : askme@supu.cn

Address: No. 625, Kandun Town Street, Cixi
City, Zhejiang Province

Switchboard: +86 574-63288158

E-mail : askme@supu.cn

Service Hotline: 400-626-6336



Code