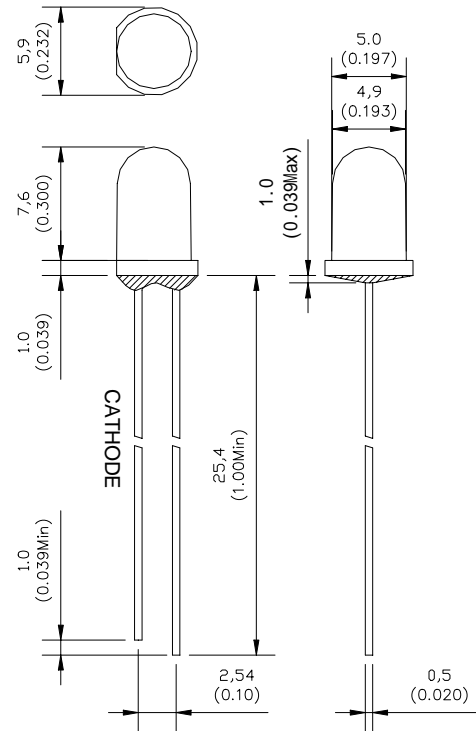


GNL-5013UxD-TL (5mm ROUND TYPE) Ultra Brightness LED

ABSOLUTE MAXIMUM RATING:(Ta=25)

Parameter			Unit
DC Forward Current	20		mA
Reverse Voltage	5		V
Reverse Current (Vr=5V)	10		μA
Peak Forward Current ,tw ,=1 msec Duty ,=1/20	150		mA
Operation Temperature	-40	+80	
Storage Temperature	-40	+100	
Solder Dip (5 seconds,1.6mm from body) Temperature	300	± 5	



Feature:

- 1.Small flange without stand-off
- 2.Long life-solid state reliability
- 3.Long lead length(25.4mm)
- 4.Versatile mounting on P.C. board or panel

Description:

- 1.The shape of this series is round
- 2.General application is for indication,illumination,etc.
- 3.These LED lamps are available with a choice of defferent colors,light intensities,epoxy colors,etc.

Part Number	EMITTED COLOR		Lens Color	Peak Wavelength (nm)	Vf (v) Typ.	IV (If=20mA) mcd		View Angle 2 1/2
						Min.	Typ.	
GNL-5013UED-TL	AlGaInP	Super Red	Red Diffused	618-628	2.0	800	1000	40 °
GNL-5013UYD-TL	AlGaInP	Super Yellow	Yellow Diffused	584-594	2.0	800	1000	40 °
GNL-5013UBD-TL	InGaN	Super Green	Blue Diffused	465-475	3.2	500	700	30 °
GNL-5013PGD-TL	InGaN	Super Green	Green Diffused	518-528	3.2	4500	5000	30 °
GNL-5013UWW-TL	InGaN	Super Green	White Diffused	5500K-7500K	3.2	2000	2500	30 °