

Constant Current Driver

Model: CC10WYYY CC13WYYY



Model	Output Current	Input Current	Input Power	Output Power Range	PF	Efficiency	Output Voltage	No load Voltage
CC10W200	200mA	0.07A	13W	7.2-10W	0.9	84%	36-50V	65V
CC10W250	250mA	0.07A	14W	7.5-10.5W	0.9	84%	30-42V	55V
CC10W300	300mA	0.07A	13W	6.9-9.9W	0.9	84%	23-33V	55V
CC10W350	350mA	0.07A	14W	7.35-10.5W	0.9	84%	21-30V	45V
CC13W300	300mA	0.09A	16W	9-12.6W	0.9	84%	30-42V	55V
CC13W350	350mA	0.09A	17W	9.45-13.3W	0.9	84%	27-38V	50V
CC13W400	400mA	0.09A	17W	9.2-13.2W	0.9	84%	23-33V	45V
CC13W450	450mA	0.09A	17W	9.45-13.5W	0.9	84%	21-30V	45V
CC13W500	500mA	0.09A	16W	8-12.5W	0.9	84%	16-25V	40V
CC13W550	550mA	0.09A	17W	9.4-13.2W	0.9	84%	17-24V	40V
CC13W600	600mA	0.09A	17W	8.4-13.2W	0.9	84%	14-22V	35V
CC13W650	650mA	0.09A	16W	7.8-13W	0.9	84%	12-20V	35V
CC13W700	700mA	0.09A	18W	8.4-14W	0.9	84%	12-20V	35V

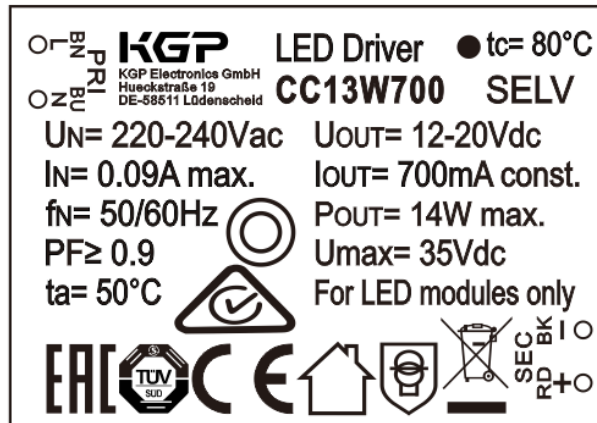
* Test result @230V, 50Hz, Full Load.

1. Parameters

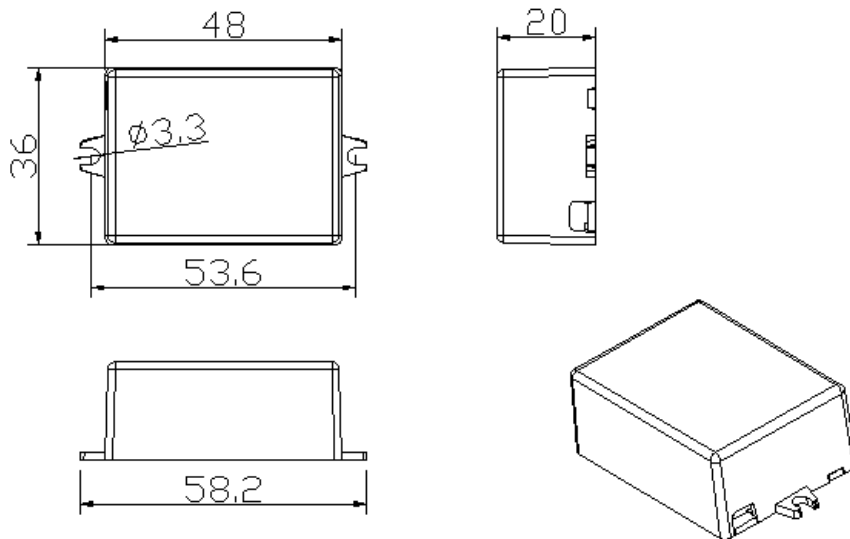
category	Item	Technical Norm
Features	Output Type	Constant Current
	IP Grade	IP44
	Insulation Class	Class II
Input	Rated Input Voltage	220-240VAC
	Range of Input Voltage	198-264VAC
	Frequency	50/60Hz
	Input Current	≤0.09A (198VAC, full load)
	Input Power	≤ 17.5W (230VAC, full load)
	Power Factor	≥0.9 (230VAC, full load)
	THD	≤15% (230VAC, full load)
	No-load Power Consumption	≤0.5W @230VAC
Inrush Current	≤13A/350us (230VAC, Full-load)	

	Connected quantity of 16A Breaker	17pcs/type B ; 27pcs/type C @ 230Vac
Output	Current Accuracy	± 5% (400MA, 450MA, 500MA, 550MA, 600MA, 650MA,700MA) ± 6% (250MA, 300MA,350MA) ± 7.5% (200MA)
	Max. Output Power	14W
	Started Delay Time	≤0.5S (230VAC, full load)
	Current Ripple	± 5% (Imax-Imin) / (Imax+Imin)
Protection	Short Circuit Protection	Auto Recovery
	Overload Protection	Auto Recovery
	No-load Protection	Auto Recovery
	Insulation voltage	I/P to O/P , 3KVac/1min
	Insulation resistance	>100M ohm @ 500VDC
	Leakage current	I/P to O/P < 250 μ A
Environment	Ta/Operation Temperature	-20....+50°C
	Ts/Storage Temperature	-25....+80°C
	Tc/Enclosure Temperature	80 °C
	Humidity	10%....90%RH
	Atmosphere	86-108KPa
Construction	Connection Method	Direct Lead
	Installation	Build-in
	PRI Wire preparation	0.5-1.5□
	SEC Wire preparation	0.5-1.5□
	Dimension	48X36X20mm (L*W*H)
Standards	Certification	TUV、CE、 SAA
	Safety Standards	EN61347-1:2015,EN61347-2-13:2014/A1:2017, EN62493:2015, AS/NZS IEC61347.2.13:2013, AS/NZS 61347.1:2016
	EMC Standards	EN55015:2013/A1:2015,EN61000-3-2:2014,EN61000-3-3:2013,EN61547:2009
	Performance	EN62384
	Surge	L-N/1KV
Others	RoHS	complied to 2011/65/EU
	Life Time	50,000h @50°C (Ta) / @80°C (Tc)
	Warranty	5years , F.R. < 10000ppm
Remark 1. All Parameters, if not specified, are measured at 230VAC/50Hz and 25°C ambient temperature. 2. LED Driver is a component of the luminaires , Luminaires and wire layout will affect the EMC, please check the EMC with end products again.		

2. Label (For example)



3. Dimension (Unit: mm)



4. Packing information

Carton L*W*H(mm)	Pcs/Carton	Net weight/ Pcs(kg)	Net weight/ Carton(kg)	Gross weight / Carton(kg)
450*240*200	150	0.065	9.75	10.5

5. Wiring Diagram

