

## Data sheet

Commercial Art.No.: 96.232.1003.1

Cable assembly RST20i3K1B- 15P 10SW

RST20i3 connection cable female - free end, 3 pole, assembled with shrinkage tube, application 250V with PE, 16A, cable type H05VV-F, length 1.0m, cross section 1.5mm<sup>2</sup>, coding color black



Commercial Art.No.	96.232.1003.1
EAN	4015573761230
Order Unit	1

Certificates / Approvals



## Technical data

### General

Rated current	16 A
Rated voltage	250 V
Rated impulse voltage	4 kV
Pollution degree	3
Lockable	self-locking (unlocking by tool)
Color of coding/ contact carrier	black
Marking of poles	L, N, PE
Color of housing inclusive strain relief	black

### Model

type of construction	Shrinkage tube
Connection type	Crimp
Nominal cross section conductor	1.5 mm <sup>2</sup>
Degree of protection (IP)	IP66/68 (3m;2h)
Wire strip length	9 mm
sheath strip length	35 mm
Preparation of conductor ends	ultrasonically compressed wire ends
Cable type	H05VV-F
Cable color	black
Cable diameter min.	8.15 mm
Cable diameter max.	8.45 mm
Version of cable	female - free end
Type of cord set	connection cable

Version cable end 1	female
Version cable end 2	free end
Shielded	No

**Material**

Surface finish	Silver-plated
halogen free	No
Continuous temperature of cable	70 °C
Insulation components continuous temperature	100 °C
Fire load	0.462 kWh
Fire class	Eca

**Dimensions**

Total length	1 m
--------------	-----

**Classification**

ECLASS 11	
ECLASS 8.1	27440604
ETIM 7.0	EC002587
ETIM 6.0	EC002587
ETIM 5.0	EC002587
ETIM 4.0	EC002587

**Note**

Note	The total length may vary up to + / - 3 %.
------	--

**Product compliance**

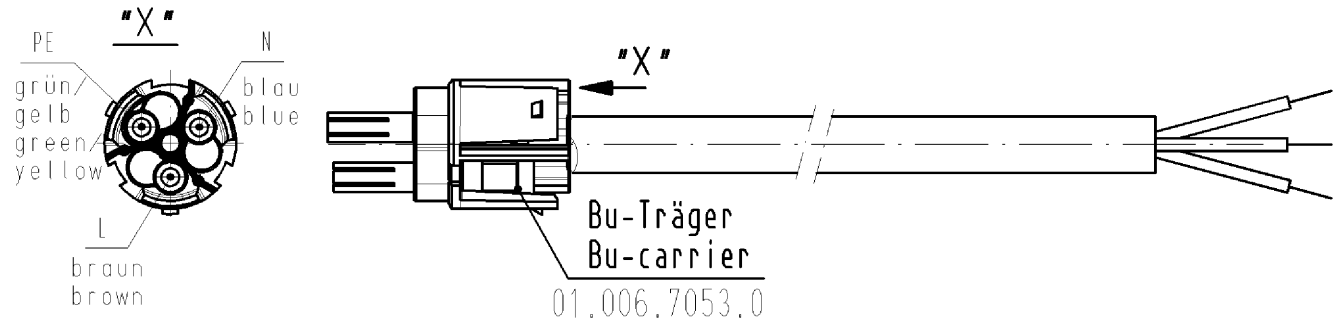
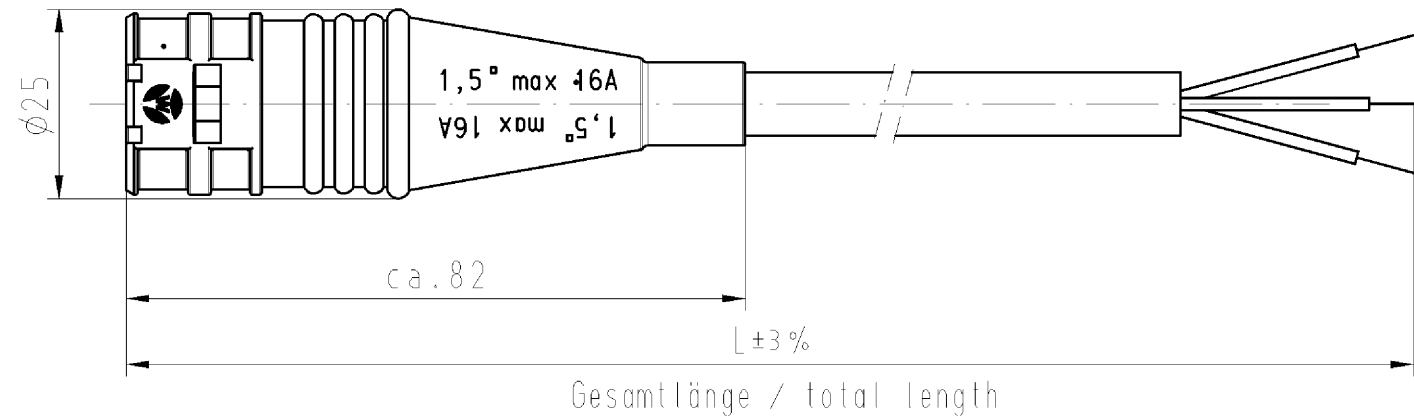
ROHS conformity status	Compliant/Exempted
ROHS exceptions	III-6(c)
REACH-SVHC conformity status	Duty-To-Declare
REACH-SVHC substances	Lead
REACH-SVHC CAS numbers	7439-92-1

These dimensions will be especially checked at delivery  
 Only inspection dimensions  
 With /E marked dimensions are only valid for internal use

Diese Maße werden bei Abnahme besonders geprüft  
 Ausschließlich Prüfmaße  
 Mit /E gekennzeichnete Maße sind nur für interne Zwecke gültig

These dimensions will be especially checked at delivery  
 Only inspection dimensions  
 With /E marked dimensions are only valid for internal use

These dimensions will be especially checked at delivery  
 Only inspection dimensions  
 With /E marked dimensions are only valid for internal use



.F	Farbe colour	Codierung "U" Buchse female
.0	lichtgrau light grey	N PE
.1	schwarz black	L

Typ/type: RST2013K1B- 15P .. GL = lichtgrau/light grey  
 SW = schwarz/black

Farbe/color		.F	
schwarz/black		.1	
lichtgrau/light grey		.0	
Teile-Nr. part-no.	L	Beispiel (Farbe: schwarz, lichtgrau) exampel (colour: black, grey)	Typ type
96.232.XX03.1	XX in dm-Schritten	96.232.1003.1 = 10dm/L= 1000mm	RST2013K1B- 15P 10SW
96.232.XX03.0		96.232.1003.0	RST2013K1B- 15P 10GL
U6.232.XX03.1	XX in m-Schritten	U6.232.1203.1 = 12 m/L=12000mm	RST2013K1B- 15P X12SW
U6.232.XX03.0		U6.232.1203.0	RST2013K1B- 15P X12GL
Tolerierung nach DIN 7167/Tolerance system acc. to DIN 7167. [This DIN-standard describes the envelope principle. According to the envelope principle the deviations of form and parallelism are limited by the size tolerances].		ja/yes <input checked="" type="checkbox"/> Stoffverbots- und Deklarationsliste nach UU-TQM-05/03 ist einzuhalten. Conformity with Wieland document UU-TQM-05/03 (list of prohibited / declarable hazardous substances) to be declared!	
Freitoleranz nach DIN 16901 TG 130 General tolerance		CAD - Zeichnung, keine manuellen Änderungen CAD - drawing, no manual modifications allowed	1. Verwendung: First Use: -
Blatt: 1 von 1 Sheet: of 1		Zeichnung Nr./Drawing No. Index	
Werkstoff/Material		2007 Tag/Date Name	T 96.232.0403.0 01K
Maßstab/Scale		gezeichnet/drawn 16.04. Kneitz	
%		geprüft/checked - - Ningep. Stand. check - -	
Vol. mm <sup>3</sup> Ofl./Surf. mm <sup>2</sup>		Ersatz für/Replacement for: -	
wieland		Type	Benennung/Title
Elektrische Verbindungen		KONFEKT_LEITUNG	
Index Datum / Blatt Date / Sheet		Buchse-freies Ende/female-free end 1,5 qmm Crimpausführung/ K1 250V	
Änderung/Revision			

Weitergabe sowie Vervielfältigung dieses Dokuments, Verwertung und Mitteilung seines Inhalts sind verboten, soweit nicht ausdrücklich gestattet.  
 The reproduction, distribution and utilization of this document as well as the communication of its contents to others without express authorization is prohibited.

962320403001K\_4\_CADW1019\_Kneitz 2007-04-16T14:24:13 1.000