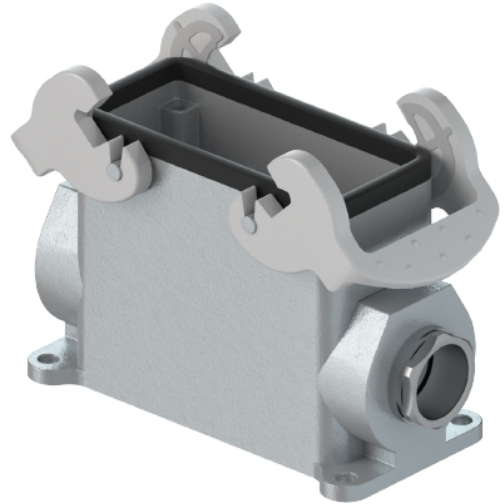


Data sheet

Commercial Art.No.: 73.335.4035.0

Bottom BAS GUT GC 16HM32 50 A0

Bottom-base revos basic made of aluminum, with double locking lever or screw cap with cable gland M32 on the left side (IP54), high version, 6-poles



Commercial Art.No.	73.335.4035.0
EAN	4015573623330
Order Unit	1

Technical data

General

Housing material	aluminum
Color	Grey
Surface	With powder coating
Degree of protection (IP)	IP54
UV resistant	yes
Inflammability class of insulation material acc. with UL94	Other
Operating temperature range min.	-40 °C
Operating temperature range max.	120 °C

Model

Construction	16H
Locking mechanism	Double locking levers
Cable entry	Sideways
Type of cable	Gland nut
With cable screw gland	yes
Thread size M	32
Thread size PG	
Hinged lid	No
EMC-version	No
Length	117 mm
Width	57 mm
Height	75 mm

Classification

ECLASS 11	
-----------	--

ECLASS 8.1	27440202
ETIM 7.0	EC000437
ETIM 6.0	EC000437
ETIM 5.0	EC000437
ETIM 4.0	EC000437
ETIM 3.0	EC000437

Product compliance

ROHS conformity status	Compliant/Exempted
ROHS exceptions	III-6(c)
REACH-SVHC conformity status	Duty-To-Declare
REACH-SVHC substances	Lead
REACH-SVHC CAS numbers	7439-92-1

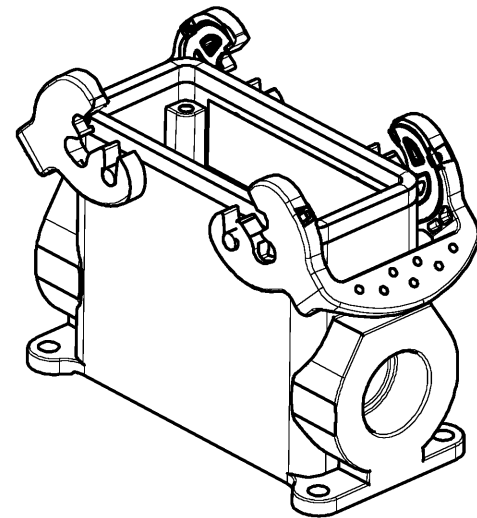
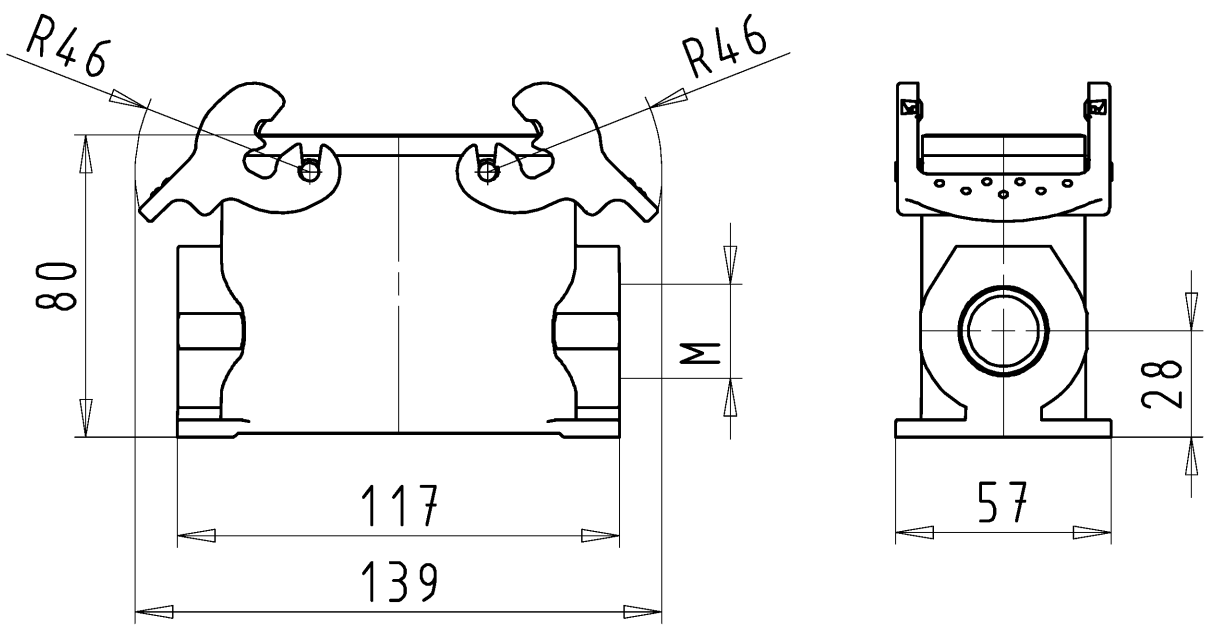
Fits with

Commercial Art.No.:	Article-type description:	Description:
70.300.1602.0	Female insert BAS BUS 16 2,5 50 AG	Female insert revos basic, 16-poles, rated current: 16A, rated voltage:500V, with silver-plated contacts
70.300.1640.0	Female insert BAS BUS 16 2,5 50	Female insert revos basic, 16-poles, rated current: 16A, rated voltage:500V, with tin-plated contacts
70.301.1640.0	Female insert BAS BUS 16 2,5 50 AU	Female insert revos basic, 16-poles, rated current: 16A, rated voltage:500V, with gold-plated contacts
70.302.1640.0	Female insert BAS BUS OD 16 2,5 50	Female insert revos basic, 16-poles, rated current: 16A, rated voltage:500V, with tin-plated contacts
70.310.1602.0	Male insert BAS STS 16 2,5 50 AG	Male insert revos basic, 16-poles, rated current: 16A, rated voltage: 500V, with silver-plated contacts
70.310.1640.0	Male insert BAS STS 16 2,5 50	Male insert revos basic, 16-poles, rated current: 16A, rated voltage: 500V, with tin-plated contacts
70.311.1640.0	Male insert BAS STS 16 2,5 50 AU	Male insert revos basic, 16-poles, rated current: 16A, rated voltage: 500V, with gold-plated contacts
70.312.1640.0	Male insert BAS STS OD 16 2,5 50	Male insert revos basic, 16-poles, rated current: 16A, rated voltage: 500V, with tin-plated contacts
70.500.1653.0	Female insert BAS BUF 16 2,5 50	Female insert revos basic, 16-poles, rated current: 16A, rated voltage:500V, with silver-plated contacts
70.510.1653.0	Male insert BAS STF 16 2,5 50	Male insert revos basic, 16-poles, rated current: 16A, rated voltage: 500V, with tin-plated contacts
70.502.1653.0	Female insert BAS BUM 16 2,5 50 AG	Female insert revos basic, 16-poles, rated current: 16A, rated voltage:500V, with silver-plated contacts
70.512.1653.0	Male insert BAS STM 16 2,5 50 AG	Male insert revos basic, 16-poles, rated current: 16A, rated voltage: 500V, with silver-plated contacts
70.700.1658.0	Female insert BAS BUC 16 50	Female insert revos basic, 16-poles, rated current: 16A, rated voltage:500V, with tin-plated contacts
70.710.1658.0	Male insert BAS STC 16 50	Male insert revos basic, 16-poles, rated current: 16A, rated voltage: 500V, with tin-plated contacts
70.800.3256.0	Female insert BAS BUCK 32 50 PC	Female insert revos basic, 32-poles, polycarbonate insert, rated current: 16A, rated voltage: 500V, with gold-plated or silver-plated contacts
70.810.3256.0	Male insert BAS STCK 32 50 PC	Male insert revos basic, 32-poles, polycarbonate insert, rated current: 16A, rated voltage: 500V, with gold-plated or silver-plated contacts
70.400.0640.0	Female insert BAS BUS 6 2,5 64	Female insert revos basic, 6-poles, rated current: 16A, rated voltage: 690V, with tin-plated contacts

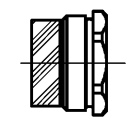
70.410.0640.0	Male insert BAS STS 6 2,5 64	Male insert revos basic, 6-poles, rated current: 16A, rated voltage: 690V, with tin-plated contacts
72.300.1653.0	Female insert BAS BUS 16 2,5 69	Female insert revos basic, 16-poles, rated current: 16A, rated voltage:690V, with tin-plated contacts
72.310.1653.0	Male insert BAS STS 16 2,5 69	Male insert revos basic, 16-poles, rated current: 16A, rated voltage: 690V, with tin-plated contacts
72.700.1658.0	Female insert BAS BUC 16 69	Female insert revos basic, 16-poles, rated current: 16A, rated voltage:690V, with tin-plated contacts
72.710.1658.0	Male insert BAS STC 16 69	Male insert revos basic, 16-poles, rated current: 16A, rated voltage: 690V, with tin-plated contacts
73.800.7253.0	Female insert DD BUC 72 1,5 25	revos DD 72 pole + ground, female insert 250V/10A, crimp connection
73.810.7253.0	Male insert DD STC 72 1,5 25	revos DD 72 pole + ground, male insert, 250V/10A, crimp connection
73.700.4058.0	Female insert HD BUC 40 25	revos HD 40 pole + ground, female insert, 250V/10A, crimp connection
73.710.4058.0	Male insert HD STC 40 25	revos HD 40 pole + ground, male insert 250V/10A, crimp connection
70.200.0653.0	Female insert POW BUS 6 6,0 40 AG	revos POWER 6 pole + ground, female insert 400V/35A, screw connection
70.210.0653.0	Male insert POW STS 6 6,0 40 AG	revos POWER 6 pole + ground, male insert 400V/35A, screw connection
72.208.0453.0	Female insert POW BUS 4 16 64 AG	revos POWER 4 pole + ground, female insert 690V/400V/82A, screw connection
72.218.0453.0	Male insert POW STS 4 16 64 AG	revos POWER 4 pole + ground, male insert 690V/400V/82A, screw connection
72.205.1053.0	Female insert POW BUS 4/6 DA D AG	revos POWER 4-/6 pole + ground, male insert 690V/4x35A + 6x16A, screw connection
72.215.1053.0	Male insert POW STS 4/6 DA D AG	revos POWER 4-/6 pole + ground, male insert 690V/4x35A + 6x16A, screw connection
72.205.0653.0	Female insert POW BUS 4/2 FA DB AG	revos POWER 4-/2 pole + ground, male insert 690V/4x82A + 400V/2x16A, screw connection
72.215.0653.0	Male insert POW STS 4/2 FA DB AG	revos POWER 4-/2 pole + ground, female insert 690V/4x82A + 400V/2x16A, screw connection
70.405.1653.0	Female insert BAS BUP 16 2,5 50 AG	Female insert revos basic, 16-poles, rated current: 16A, rated voltage:500V, with silver-plated contacts
70.415.1653.0	Male insert BAS STP 16 2,5 50 AG	Male insert revos basic, 16-poles, rated current: 16A, rated voltage: 500V, with silver-plated contacts
72.703.1453.0	Female insert POW BUC 12/2 DE	
72.713.1453.0	Male insert POW STC 12/2 DE	
72.703.4253.0	Female insert POW BUC 6/36 DF	
72.713.4253.0	Male insert POW STC 6/36 DF	

These dimensions will be especially checked at delivery
 Only inspection dimensions
 With /E marked dimensions are only valid for internal use

Diese Maße werden bei Abnahme besonders geprüft
 Ausschließlich Prüfmaße
 Mit /E gekennzeichnete Maße sind nur für interne Zwecke gültig

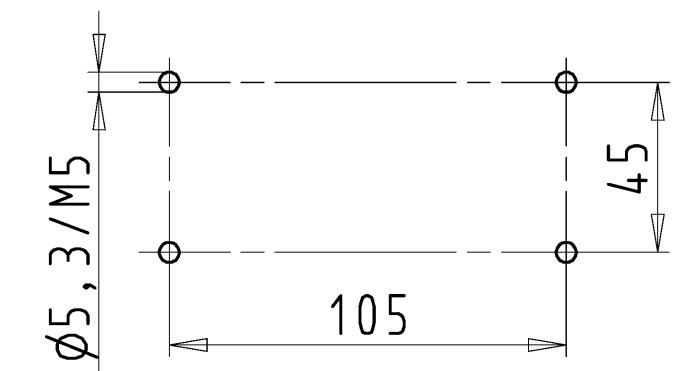


Varianten/Variants
 .0



73.335.4035.1	BAS GUT GC 16H M40 M32 M25 A1	Gewindebohrung /Thread hole	X
73.335.4035.0	BAS GUT GC 16H M40 M32 M25 A0	Kabelverschraubung(KV), IP54 /Cable gland(CG), IP54	
Bestellnummer /Order number	Typ /Type	Varianten /Variants	dar- gestellt /drawn

Weitere Daten siehe KATALOG oder eKatalog.
 Additional data see CATALOG or eCatalog.
www.wieland-electric.com
eshop.wieland-electric.com



Bohrbild /Cut out

Tolerierung Size ISO 14405/Tolerance system Size ISO 14405. (This ISO-standard describes the envelope principle. According to the envelope principle the deviations of form and parallelism are limited by the size tolerances).		ja/yes <input checked="" type="checkbox"/> Stoffverbots- und Deklarationsliste nach WN 5020.010 ist einzuhalten. Conformity with Wieland document WN 5020.010 e (list of prohibited / declarable hazardous substances) to be declared!	
Freitoleranz nach DIN ISO 2768 - m General tolerance		CAD - Zeichnung, keine manuellen Änderungen CAD - drawing, no manual modifications allowed	1.Verwendung: - First Use:
Blatt: 1 von 1 Sheet: of		Zeichnung Nr./Drawing No.	
Index		73.331.4035.0 13K	
Datum / Blatt Date / Sheet		Maße in mm/Dimensions are in mm	
Änderung/Revision		Ersatz für/Replacement for: -	
Werkstoff/Material Aluminium beschichtet/ coated grau/ grey		Type revos BASIC	
www.wieland-electric.com		Benennung/Title GEHAEUSEUNTERTEIL Baugröße 16H-Kabelabgang 1xM25/M32/M40 links housing size 16H-cable outlet 1xM25/M32/M40 left	

Weitergabe sowie Vervielfältigung dieses Dokuments, Verwertung und Mitteilung seines Inhalts sind verboten, soweit nicht ausdrücklich gestattet.
 The reproduction, distribution and utilization of this document as well as the communication of its contents to others without express authorization is prohibited.