

Data sheet

Commercial Art.No.: 91.922.2053.0

Connector GST15i2S S1 ZF1 WS

GST15i2 connector, 2 pole, male, with screw connection, for cable diameters 3.4-5.5 mm, coding protection class II 250 V, 16 A, coding color white, strain relief color white



Commercial Art.No.	91.922.2053.0
EAN	4049088153556
Order Unit	1

Certificates / Approvals



Technical data

General

Rated current	16 A
Rated voltage	250 V
Rated impulse voltage	4 kV
strain relief	yes
Pollution degree	2
Mechanical coding	Code 1
Lockable	self-locking (unlocking by tool)
Color of coding/ contact carrier	white
Marking of poles	L, N
Color of housing inclusive strain relief	white

Connection Data

Cable diameter max.	5.5 mm
Cable diameter min.	3.4 mm
Connection cross section solid mm ² max.	2.5 mm ²
Connection cross section solid mm ² min.	0.5 mm ²
Connection cross section fine stranded mm ² max.	2.5 mm ²
Connection cross section fine stranded mm ² min.	0.5 mm ²
Terminations per pole	1
sheath strip length	19 mm
Wire strip length	8 mm

Model

Model	male
Connection type	screw connection
Degree of protection (IP)	IP20

Material

Housing material	Polyamide
halogen free	yes
Contact material	CuZn
Fire load	0.047 kWh
Insulation components continuous temperature	100 °C
Surface finish	Silver-plated

Dimensions

Length	53.2 mm
Width	17.7 mm
Height	13.8 mm

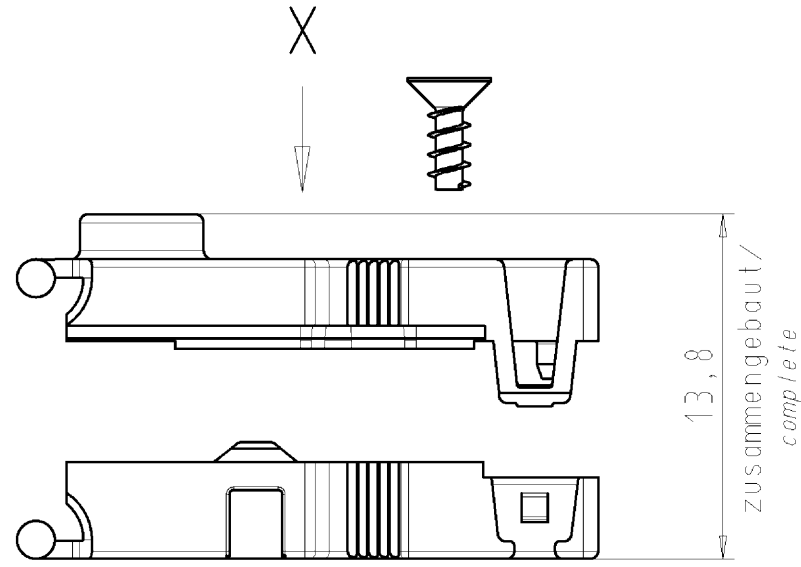
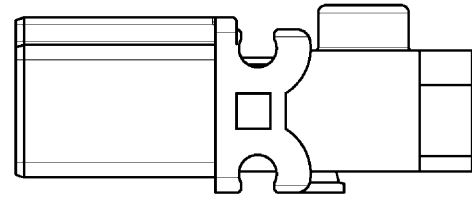
Classification

ECLASS 11	
ECLASS 8.1	27440605
ETIM 7.0	EC002560
ETIM 6.0	EC002560
ETIM 5.0	EC002560
ETIM 4.0	EC002560

Product compliance

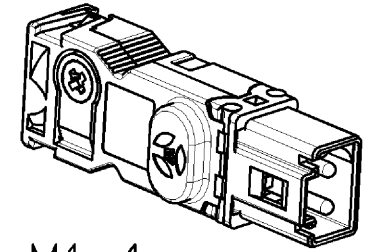
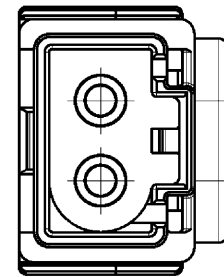
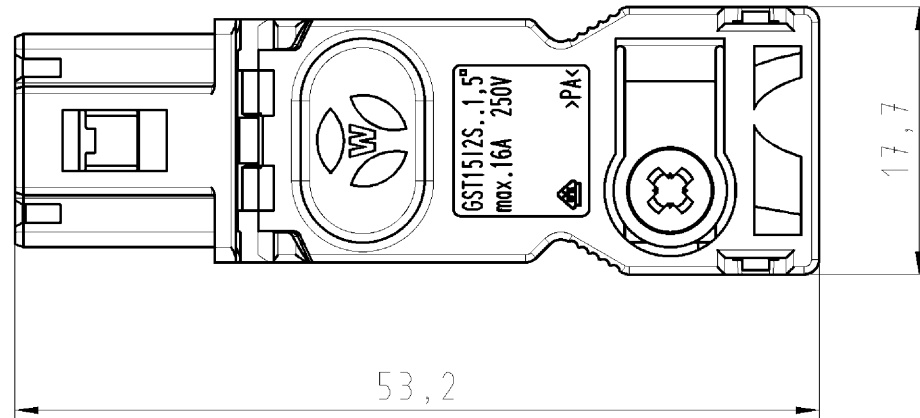
ROHS conformity status	Compliant/Exempted
ROHS exceptions	III-6(c)
REACH-SVHC conformity status	Duty-To-Declare
REACH-SVHC substances	Lead
REACH-SVHC CAS numbers	7439-92-1

These dimensions will be especially checked at delivery
 Only inspection dimensions
 With /E marked dimensions are only valid for internal use



Diese Maße werden bei Abnahme besonders geprüft
 Ausschließliche Prüfmaße
 Mit /E gekennzeichnete Maße sind nur für interne Zwecke gültig

Ansicht in Pfeilrichtung "X" montiert
 view in arrow direction, assembled



M1:1

Weitere Daten siehe Katalog
 further data see catalog

Teile-Nr. part - no.	Farbe colour	Typ type
91.922.2053.0	weiß white	GST1512S S1 ZF1 SW
91.922.2053.1	schwarz black	GST1512S S1 ZF1 SW

Tolerierung Size ISO 14405 (E) / Tolerance system Size ISO 14405 (E). (This ISO-standard describes the envelope principle. According to the envelope principle the deviations of form and parallelism are limited by the size tolerances).				ja/yes <input checked="" type="checkbox"/> Stoffverbots- und Deklarationsliste nach UU-TQM-05/03 ist einzuhalten. Conformity with Wieland document UU-TQM-05/03 (list of prohibited / declarable hazardous substances) to be declared!					
Freitoleranz nach General tolerance		DIN ISO 2768 - m		CAD - Zeichnung, keine manuellen Änderungen CAD - drawing, no manual modifications allowed		1. Verwendung: First Use:		Blatt: 1 von 1 Sheet: of 1	
/		Werkstoff/Material		2013 Tag/Date Name		T Zeichnung Nr./Drawing No.		Index	
/		Maßstab/Scale		gezeichnet drawn 12.03. Treschan		91.922.2053.0 01K			
/		2:1		geprüft checked - -		Maße in mm/Dimensions are in mm			
/		Vol. mm ³ Ofl./Surf. mm ²		Normgepr. Stand. check - -		Ersatz für/Replacement for: -			
/		www.wieland-electric.com		Type		Benennung/Titel			
Index		Datum / Blatt Date / Sheet		www.wieland		STECKERT_M_ZUGENTL (NETZ)			
Änderung/Revision						male connector with strain relief (network)			

Weitergabe sowie Vervielfältigung dieses Dokuments, Verwertung und Mitteilung seines Inhalts sind verboten, soweit nicht ausdrücklich gestattet.
 The reproduction, distribution and utilization of this document as well as the communication of its contents to others without express authorization is prohibited.

919222053001K_2 CADW3028 Treschan 2014-06-30T10:58:38 1.000