



JULONG MOTOR  
AC/DC FANS COOLING FANS



尺寸 Size: 172mmx150mmx51mm

风量 Airflow: 195-416m<sup>3</sup>/hr

115-245CFM

重量 Weight: 850g

噪音 Noise: 30-52dBA

风叶 Impeller Material: PBT Thermoplastic Black,UL94-V0

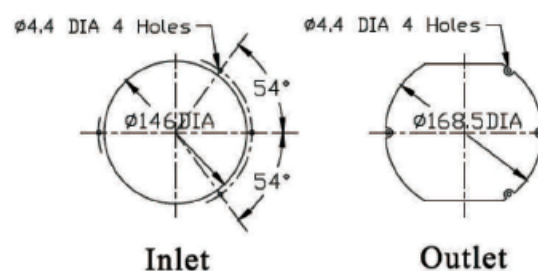
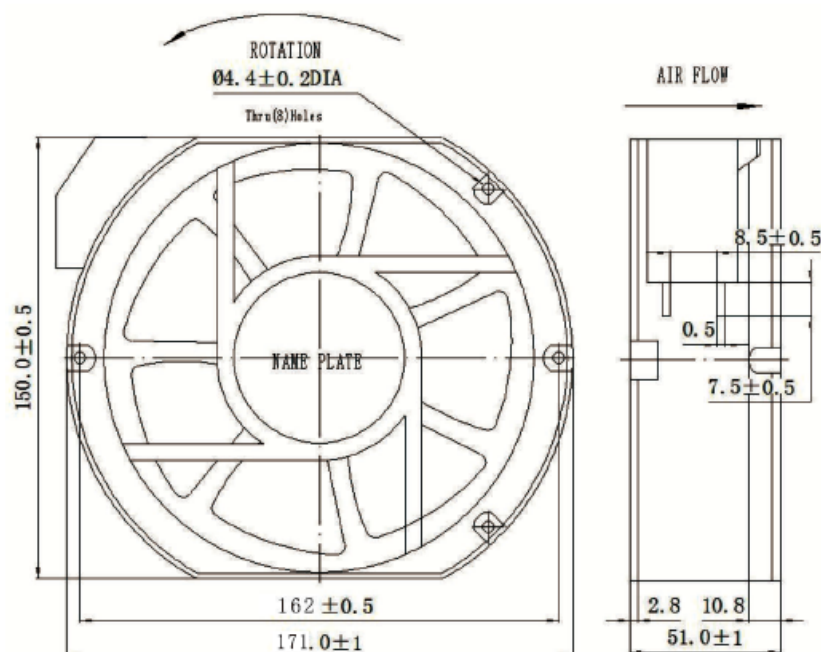
外框 Frame: Aluminum Alloy

端子 Terminals: 0.5mm

引线 Lead Wire: AWG#22 UL 1569(Optional)

马达 Motor: Shaded Pole Induction Motor

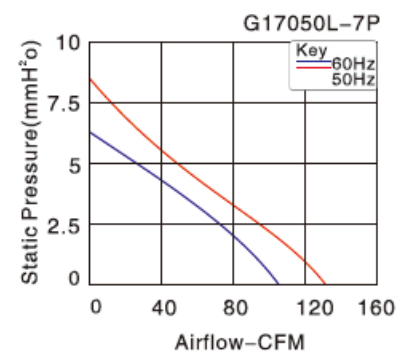
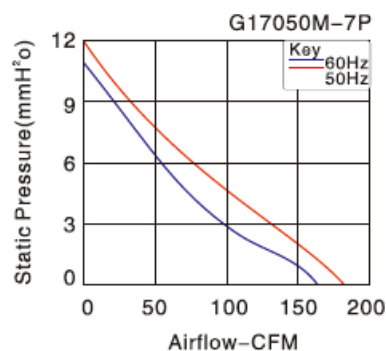
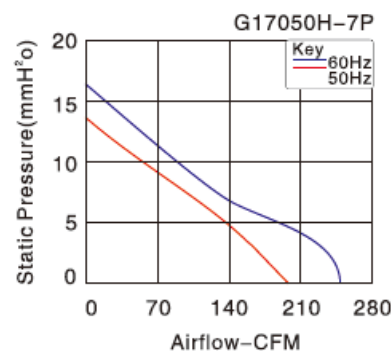
温度范围 Operating Temperature: -10°C~+65°C



19

Http://www.xtgygs.cn  
如需特殊电压也可提供特殊规格, 本公司保留技术变动权利, 特殊电压可能根据行业不同而有所变动, 所有技术规格均保留权利。

Model (型号)	Bearing System (轴承型式)	Voltage VAC (电压)	Freq. Hz (频率)	Current A (电流)	Power W (功率)	Speed RPM (转速)	Noise dBA (噪音)	Air Flow (风量)		Phase (相数)	Capacitor (电容)
								M3/hr	CFM		
G17050HA,S-7P	Sleeve	100/125	50/60	0.50/0.45	37/36	2600/3000	46/52	340/416	200/245	1	/
G17050HA,S-7P		200/240	50/60	0.22/0.21	34/33	2600/3000	46/52	340/416	200/245	1	/
G17050HA,S-7P		380/420	50	0.11	34	2600	46	340	200	1	/
G17050HA,B-7P	Ball	100/125	50/60	0.50/0.45	37/36	2600/3000	46/52	340/416	200/245	1	/
G17050HA,B-7P		200/240	50/60	0.22/0.21	34/33	2600/3000	46/52	340/416	200/245	1	/
G17050HA,B-7P		380/420	50	0.11	34	2600	46	340	200	1	/
G17050MA,S-7P	Sleeve	100/125	50/60	0.41/0.39	32/30	2400/2300	43/42	302/282	178/166	1	/
G17050MA,S-7P		200/240	50/60	0.19/0.18	30/28	2400/2300	43/42	302/282	178/166	1	/
G17050MA,S-7P		380/420	50	0.09	30	2400	43	302	178	1	/
G17050MA,B-7P	Ball	100/125	50/60	0.41/0.39	32/30	2400/2300	43/42	302/282	178/166	1	/
G17050MA,B-7P		200/240	50/60	0.19/0.18	30/28	2400/2300	43/42	302/282	178/166	1	/
G17050MA,B-7P		380/420	50	0.09	30	2400	43	302	178	1	/
G17050LA,S-7P	Sleeve	100/125	50/60	0.35/0.35	26/25	1900/1500	35/30	221/195	130/115	1	/
G17050LA,S-7P		200/240	50/60	0.16/0.16	26/25	1900/1500	35/30	221/195	130/115	1	/
G17050LA,S-7P		380/420	50	0.07	26	1900	35	221	130	1	/
G17050LA,B-7P	Ball	100/125	50/60	0.35/0.35	26/25	1900/1500	35/30	221/195	130/115	1	/
G17050LA,B-7P		200/240	50/60	0.16/0.16	26/25	1900/1500	35/30	221/195	130/115	1	/
G17050LA,B-7P		380/420	50	0.07	26	1900	35	221	130	1	/



### Fan Accessories



JL145D-FOR



JL400.300  
JL904.200



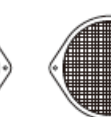
JL162H(B)-Y



JL172H(B)



JL150H(B)-B



JL150-MF



JL9804.200  
JL9805.200