

Data sheet

Commercial Art.No.: 92.050.0153.1

Distributor GST18i5V37A1 V SW

GST18i5 phase selection distributor, 5 pole, 1 IN GST18i5, 1 OUT GST18i5, 6 OUT GST18i3, with mounting option on separate mounting plate, coding mains 250/400 V, 20 A, coding color black



Commercial Art.No.	92.050.0153.1
EAN	4015573357358
Order Unit	1

Certificates / Approvals



Technical data

General

Rated current	20 A
Rated voltage	250 V / 400 V
Rated impulse voltage	4 kV
Pollution degree	2
Mechanical coding	Code 1
Lockable	self-locking (unlocking by tool)
Color of coding/ contact carrier	black
Marking of poles	3, N, PE, 2, 1

Model

Number of inputs	1
Number of outputs	7
Type of fastening	No
Degree of protection (IP)	IP20
Type of distributor	phase selection distributor

Material

Housing material	Polyamide
halogen free	yes
Contact material	CuZn
Fire load	0.341 kWh
Insulation components continuous temperature	100 °C

Surface finish	Tin-plated
----------------	------------

Classification

ECLASS 11	
ECLASS 8.1	27440603
ETIM 7.0	EC002567
ETIM 6.0	EC002567
ETIM 5.0	EC002567
ETIM 4.0	EC002567

Dimensions

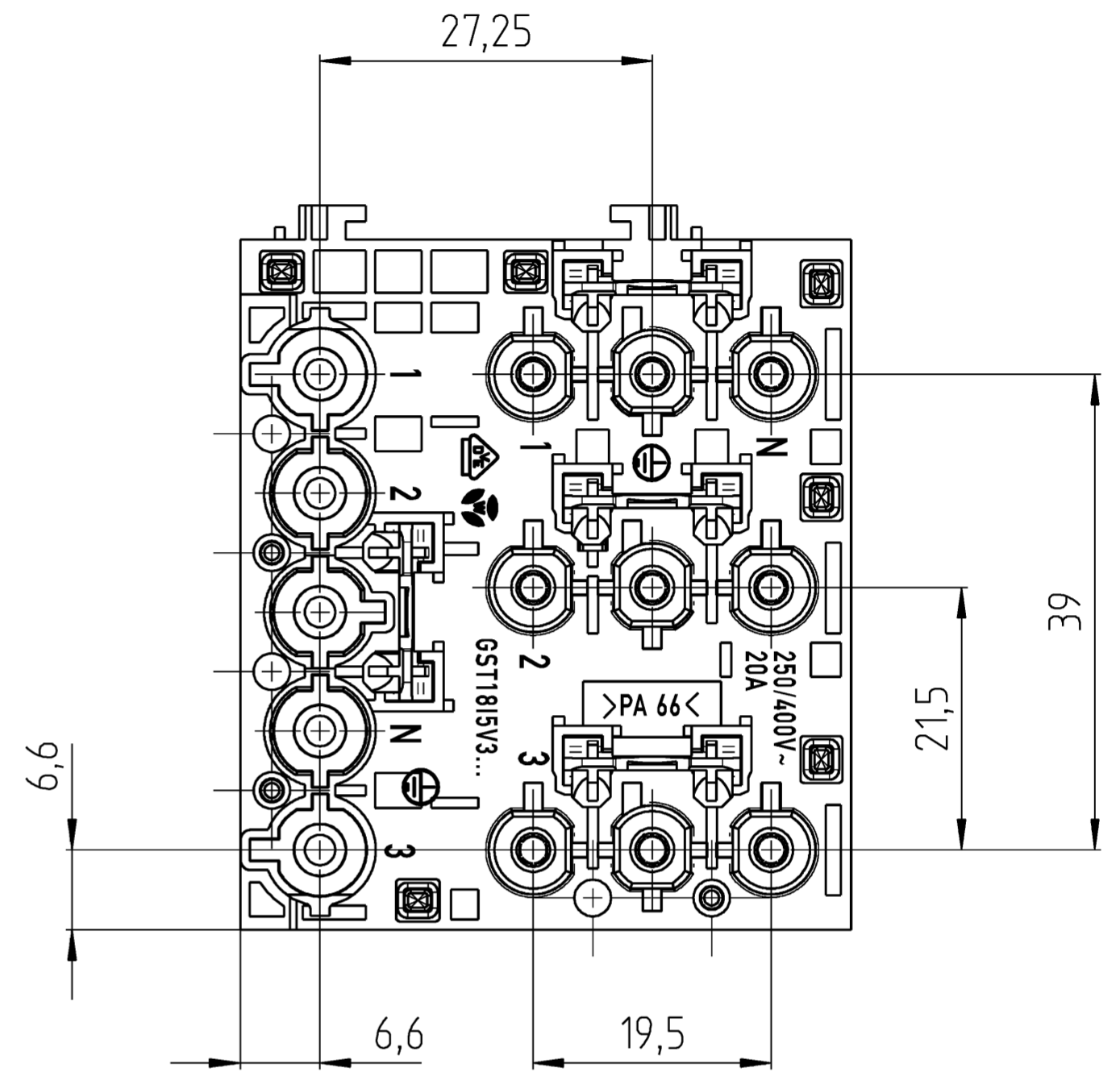
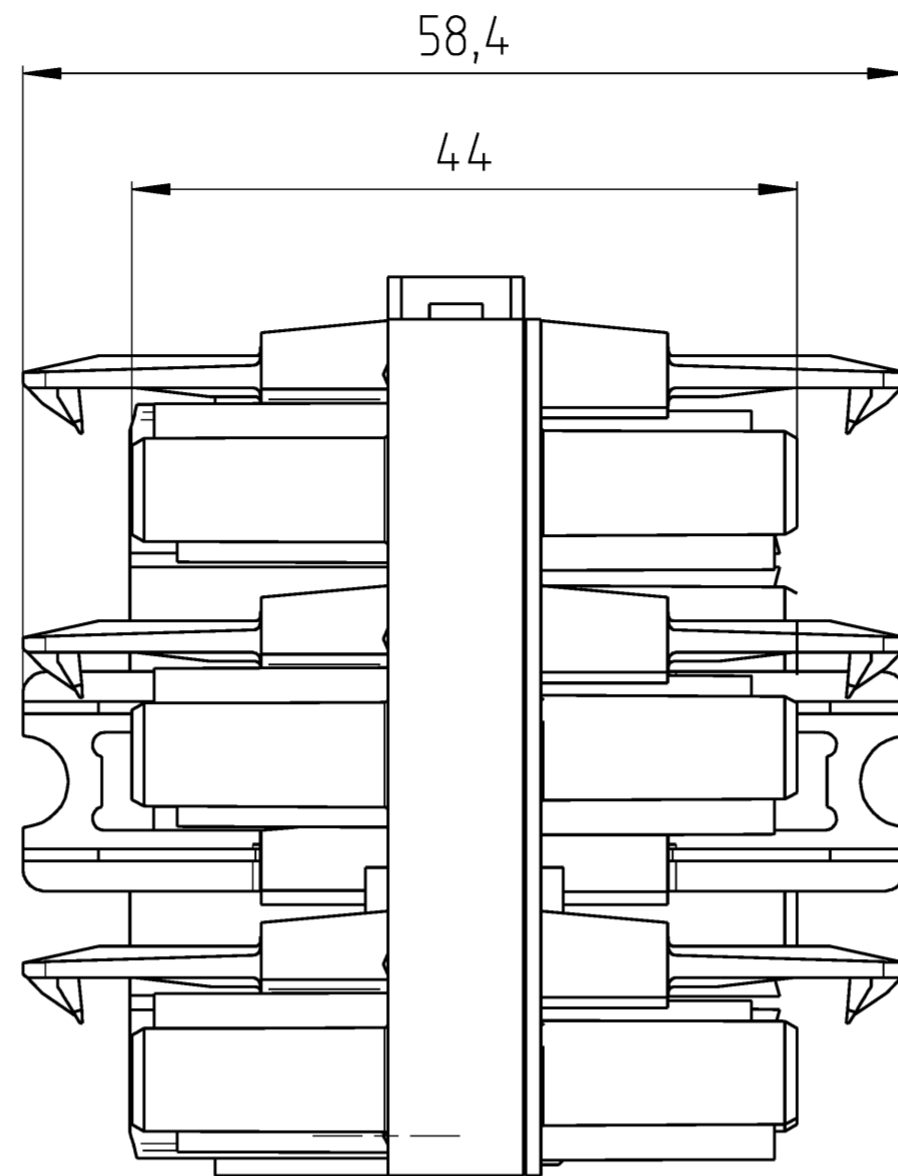
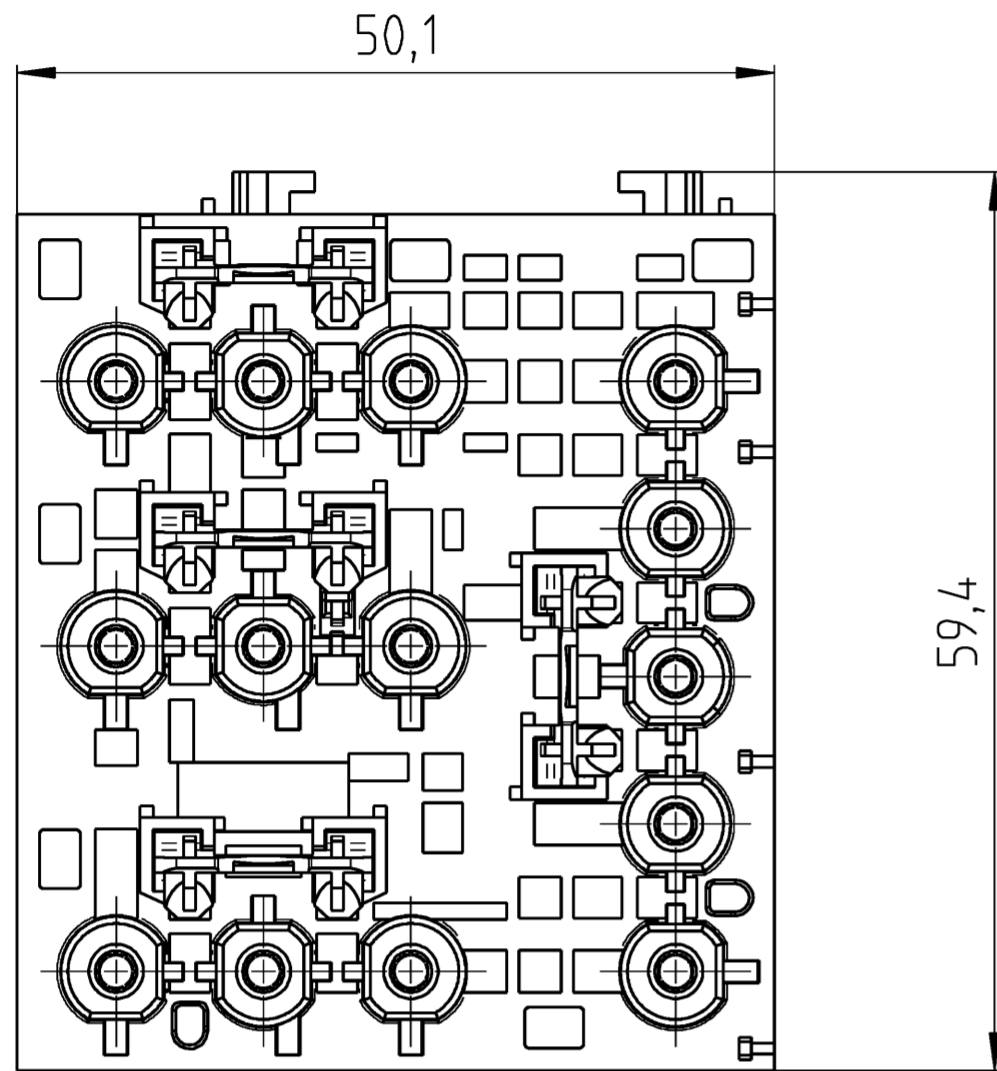
Length	44 mm
Width	56.5 mm
Height	50 mm

Product compliance

ROHS conformity status	Compliant/Exempted
ROHS exceptions	III-6(c)
REACH-SVHC conformity status	Duty-To-Declare
REACH-SVHC substances	Lead
REACH-SVHC CAS numbers	7439-92-1

Accessories

Commercial Art.No.:	Article-type description:	Description:
07.413.5453.0	Supporting plate VERT. GST18i5 WANDBEF. WS	
07.413.5453.1	Supporting plate VERT. GST18i5 WANDBEF. SW	"Mounting plate for distribution block 5 pole; 5/3 pole, for bolt on fixation"
05.588.5753.0	Lock GST18 VERTEILER WS	Locking device for distributor GST18i3-5, retrofit part, white
05.588.5753.1	Locking slide GST18 VERTEILER SW	Locking device for distributor GST18i3-5, retrofit part, black
05.564.5353.0	cover cap GST18i3/4/5 SW	Cover piece 12 pole black for female parts GST18i3-6
05.564.5353.2	cover cap GST18i3/4/5 WS	Cover piece 12 pole white for female parts GST18i3-6
05.566.9253.0	cover cap GST18i5 BUCHSEN	Cover for female connectors GST18i5, black
07.413.6853.1	Supporting plate GST18 VERTEILER SW	gesis®-Mounting plate for GST18-distributors. Wall mounting with screws or gas-actuated nailers; fixing on cable trays with moulded expanding rivets; lying distributor mounting

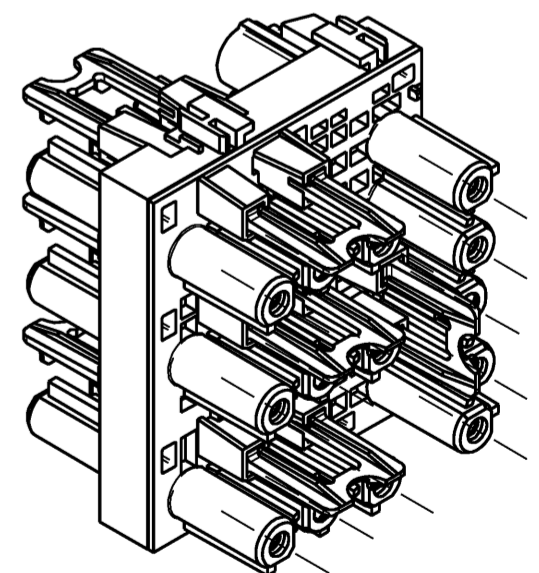


Weitergabe sowie Vervielfältigung dieses Dokuments, Verwertung und Mitteilung seines Inhalts sind verboten, soweit nicht ausdrücklich gestattet. Die Reproduktion, Distribution und Nutzung dieses Dokuments sowie die Herstellung von Kopien ist ohne schriftliche Genehmigung der Wieland Electric AG ist ausdrücklich untersagt.

These dimensions will be especially checked at delivery
 Only inspection dimensions
 With IE marking dimensions are only valid for internal use

Diese Maße werden bei Abnahme besonders geprüft
 Ausschließlich Prüfmaße
 Mit IE-Markierung sind die Maße nur für interne Zwecke gültig

M 1:1



- ohne Anschraubflansch
- mit Verriegelung
- without locking flange
- with interlocking

* = spezielle Verpackung und Etikettierung
 /special package and labelling

Teilenummer/ part nr.	Verriegelung/ locking	Type/ type	Farbe/ colour	Beschriftungsfarbe/ marking colour
92.050.0153.0	05.588.5700.0	GST1815V37A1 V WS	weiß/white	schwarz/black
92.050.0153.1	05.588.5700.1	GST1815V37A1 V SW	schwarz/black	weiß/white
* 92.050.0193.0	05.588.5700.0		weiß/white	schwarz/black
* 01.050.0193.1	05.588.5700.1		schwarz/black	weiß/white

Weitere Daten siehe Katalog oder eKatalog.
 Additional data see CATALOG or eCatalog.

Tolerierung Size ISO 14405 © / Tolerance system Size ISO 14405 © (This ISO-standard describes the envelope principle. According to the envelope principle the deviations of form and parallelism are limited by the size tolerances)		ja/yes <input checked="" type="checkbox"/> Stoffverbi- und Deklarationsliste nach WN 5020.010 ist einzuhalten. (Conformity with Wieland document WN 5020.010 e (list of prohibited / declarable hazardous substances) to be declared!)	
Freitoleranz nach General tolerance	CAD - Zeichnung, keine manuellen Änderungen CAD - drawing, no manual modifications allowed	1. Verwendung: First Use:	Blatt: Sheet: 1 of
Werkstoff / Material	2016 Tag/Date	Name	Zeichnung Nr. / Drawing No.
Maßstab / Scale 2:1	17.06.	HoffmannT	T 92.050.0153.0 13K
Vol. --- mm ³	Dfl./Surf. --- mm ²	Ersatz für / Replacement for:	
Index Änderung / Revision		Type	Benennung/Title
www.wieland-electric.com		VERTEILER distributor 250/400V AC 20A	