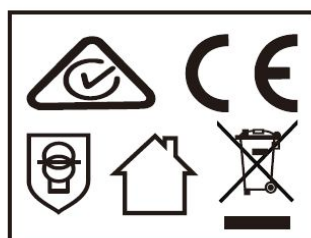


	Current Ripple	$\pm 5\%$ (Imax-Imin) / (Imax+Imin)
Protection	Short Circuit Protection	Auto Recovery
	Overload Protection	Auto Recovery
	No-load Protection	Auto Recovery
	Insulation voltage	I/P to O/P , 3KVac/1min
	Insulation resistance	>100M ohm @ 500VDC
	Leakage current	I/P to O/P < 250 μ A
Environment	Ta/Operation Temperature	-20....+50°C
	Ts/Storage Temperature	-40....+85°C
	Tc/Enclosure Temperature :	85 °C
	Humidity	10%....90%RH
	Atmosphere	86-108KPa
Construction	Connection Method	Direct Lead
	Installation	Build-in
	PRI Wire preparation	0.3-0.5 \square
	SEC Wire preparation	0.3 \square
	Dimension	33.9*22.8*17mm (L*W*H)
Standards	Certification	TUV/SAA/CE
	Safety Standards	EN61347-1:2015,EN61347-2-13:2014/A1:2017,E N62493:2015,AS/NZSIEC61347.2.13:2016 Inc A1,AS/NZS 61347.1:2018
	EMC Standards	EN55015:2013/A1:2015,EN61000-3-2:2014,EN6 1000-3-3:2013,EN61547:2009
	Performance	EN62384
	Surge	L-N/0.5KV
Others	RoHS	Complied to 2011/65/EU
	Life Time	50000h @ Ta/Tc
	Warranty	5years , F.R. <10000ppm

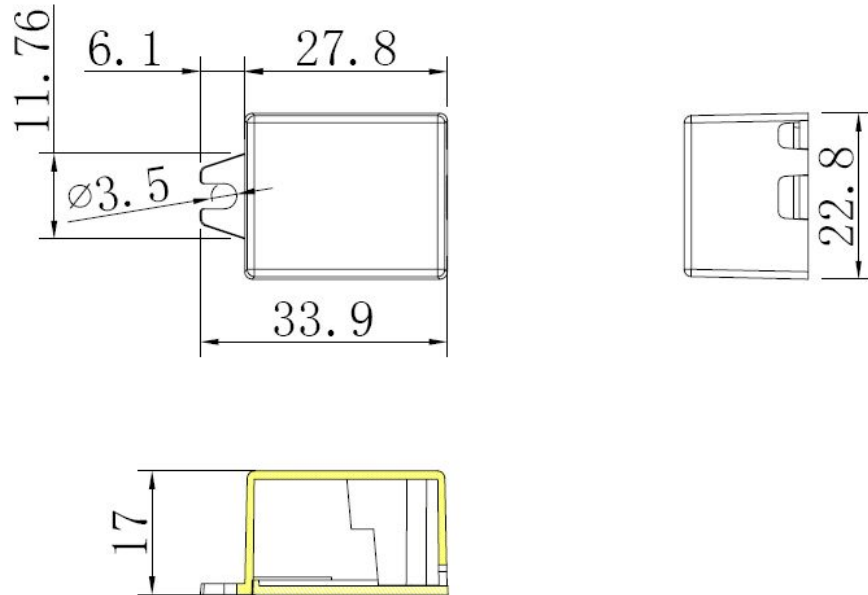
Remark:

- All Parameters, if not specified, are measured at 230VAC/50Hz and 25°C ambient temperature.
- LED Driver is a component of the luminaires. Luminaires and wire layout will affect the EMC, please check the EMC with end products again.

2. Label (For example)



3. Dimension (Unit: mm)



4. Packing information

Carton L*W*H(mm)	Pcs/Carton	Net weight/ Pcs(kg)	Net weight/ Carton(kg)	Gross weight / Carton(kg)
447*240*200	300	0.022	6.66	7.2

5. Wiring Diagram

