

Data sheet

Commercial Art.No.: 4L.030.1153.1

Distributor RST08i3VL2P1YF V SW

RST08i3 distribution block for parallel connections, with longitudinal sealing, 3 pole, application 250V/400V with PE, 8A, 1 input and 2 outputs, coding color black, color of housing black



Commercial Art.No.	4L.030.1153.1
EAN	4049088557606
Order Unit	1

Technical data

General

Rated current	8 A
Rated voltage	250 V / 400 V
Rated impulse voltage	2.5 kV
Pollution degree	3
Lockable	self-locking (unlocking by hand)
Color of coding/ contact carrier	black
Marking of poles	1, PE, 2/N

Model

Number of inputs	1
Number of outputs	2
Type of fastening	yes
Degree of protection (IP)	IP66/68 (3m;2h) /IP69
Type of distributor	Distribution block

Material

Housing material	TPU
halogen free	yes
Contact material	CuZn
Fire load	0 kWh
Insulation components continuous temperature	100 °C
Surface finish	Silver-plated
UL classification housing	UL-V2

Dimensions

Length	50.6 mm
Width	37 mm
Height	22.8 mm

Note

Note	Use only one connector with contact sealing - either male or female connector.
------	--

Classification

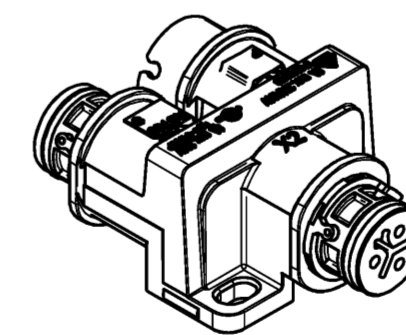
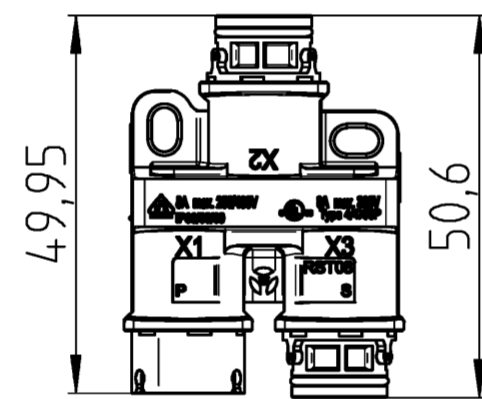
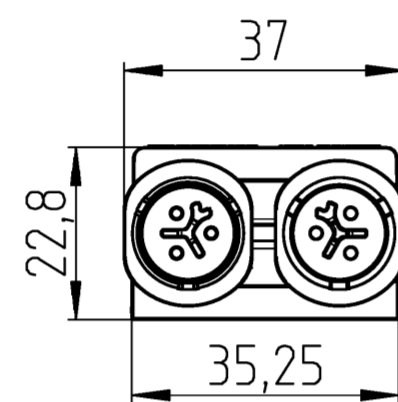
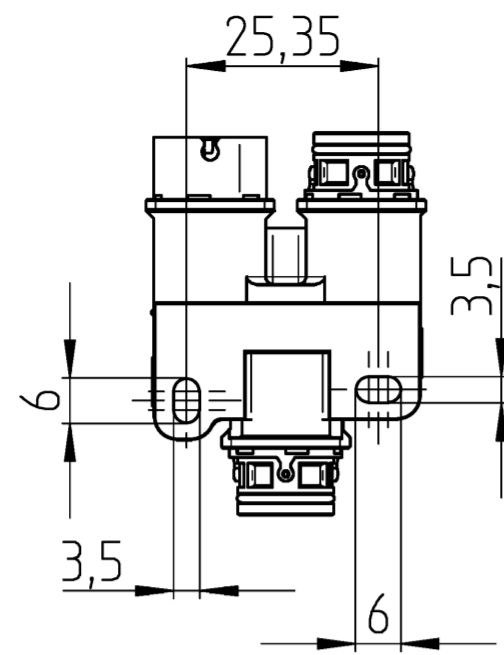
ECLASS 11	
ECLASS 8.1	27440603
ETIM 7.0	EC002567

Accessories

Commercial Art.No.:	Article-type description:	Description:
06.563.5053.1	Cover for female connector SW	RST08i3/2 cover piece, for covering unused female connectors, with fastening belt, color black
06.563.5153.1	Cover for male connector SW	RST08i3/2 cover piece, for covering unused male connectors, with fastening belt, color black

Fits with

Commercial Art.No.:	Article-type description:	Description:
41.031.3053.1	Connector RST08i3 S B1 ZR1 H SW	RST08i3 connector, 3 pole, female, screw connection, application 250V/400V with PE, 8A, for cable diameters 4-7mm, coding color black, color of housing black
41.032.3053.1	Connector RST08i3 S S1 ZR1 H SW	RST08i3 connector, 3 pole, male, screw connection, application 250V/400V with PE, 8A, for cable diameters 4-7mm, coding color black, color of housing black



Teile-Nr. / part no.		
4L.020.1143.1		
4L.020.1143.9		
4L.020.1141.4		
4L.030.1153.1		
4L.030.1143.9		
4L.030.1141.4		
4L.020.1241.8		
4L.030.1351.8		

● = unbestückt / unpopulated

Weitergabe sowie Vervielfältigung dieses Dokuments, Verwertung und Mitteilung seines Inhalts sind verboten, soweit nicht ausdrücklich gestattet. Die Reproduktion, Distribution und Utilization of this document as well as the communication of its contents to others without express authorization is prohibited.

These dimensions will be especially checked at delivery
 Only inspection dimensions
 With reserved dimensions are only valid for internal use

Diese Maße werden bei Abnahme besonders geprüft
 Ausschließlich Prüfmaße
 Mit reservierten Maßen sind nur für interne Zwecke gültig

Teile-Nr. / part no.	Benennung / designation	Typ / type	Kodierungsfarbe / color of coding
4L.020.1143.1	Y-PARALLEL-2pol-K1	RST08i2VL2P1YF V SW	schwarz / black
4L.020.1143.9	Y-PARALLEL-2pol-K2	RST08i2VL2P1YF V BL	lichtblau / light blue
4L.020.1141.4	Y-PARALLEL-2pol-K3	RST08i2VL2P1YF V L SG	schiefergrau / slate grey
4L.030.1153.1	Y-PARALLEL-3pol-K1	RST08i3VL2P1YF V SW	schwarz / black
4L.030.1143.9	Y-PARALLEL-3pol-K2	RST08i3VL2P1YF V BL	lichtblau / light blue
4L.030.1141.4	Y-PARALLEL-3pol-K3	RST08i3VL2P1YF V L SG	schiefergrau / slate grey
4L.020.1241.8	Y-SERIELL-2pol-K4	RST08i2VL2S1YF V L KG	kieselgrau / pebble grey
4L.030.1351.8	Y-SERPAR-3pol-K4	RST08i3VL2G1YF V L KG	kieselgrau / pebble grey

Gezeichnete Ausführung: / drawn version:

Weitere Daten siehe KATALOG oder eKATALOG
 additional data see CATALOG or eCATALOG
www.wieland-electric.com
eshop.wieland-electric.com

Tolerierung Size ISO 14405 © / Tolerance system Size ISO 14405 ©
 (This ISO-standard describes the envelope principle. According to the envelope principle the deviations of form and parallelism are limited by the size tolerances)

Freitoleranz nach General tolerance CAD - Zeichnung, keine manuellen Änderungen First Use: CAD - drawing, no manual modifications allowed

1. Verwendung: First Use: Blatt: 1 von 1 Sheet: 1 of 1

Werkstoff / Material Tag/Date Name
 08.08.2019 Hollet
 Zeichnung Nr. / Drawing No. Index
T 4L.030.1153.1 13K b

Maße in mm / Dimensions are in mm

Vol. mm³ Off./Srf. mm² Ersatz für / Replacement for:

gezeichnet / drawn
 geprüft / checked
 Name/ger. / Stand. check

Änderung / Revision

wieland
www.wieland-electric.com

Type: **RST**
 MICRO
 VB

Benennung/Title: **VERTEILERBLOCK_Y**
 distributor block