

## Data sheet

Commercial Art.No.: 96.452.1033.1

Cable assembly RST20i5KSB- 15 10SW

RST20i5 connection cable female - free end, 5 pole, assembled with screw connection, application 250/400V with PE, 16A, cable type H07RN-F, length 1.0m, cross section 1.5mm<sup>2</sup>, coding color black



Commercial Art.No.	96.452.1033.1
EAN	4015573909250
Order Unit	1

Certificates / Approvals



## Technical data

### General

Rated current	16 A
Rated voltage	250 V / 400 V
Rated impulse voltage	4 kV
Pollution degree	3
Lockable	self-locking (unlocking by tool)
Color of coding/ contact carrier	black
Marking of poles	1, 2, 3, N, PE
Color of housing inclusive strain relief	black

### Model

type of construction	Cable screw gland
Connection type	screw connection
Nominal cross section conductor	1.5 mm <sup>2</sup>
Degree of protection (IP)	IP66/68 (3m;2h) /IP69
Wire strip length	9 mm
sheath strip length	35 mm
Preparation of conductor ends	ultrasonically compressed wire ends
Cable type	H07RN-F
Cable color	black
Cable diameter min.	12.1 mm
Cable diameter max.	12.3 mm
Version of cable	female - free end
Type of cord set	connection cable

Version cable end 1	female
Version cable end 2	free end
Shielded	No

**Material**

Surface finish	Silver-plated
halogen free	No
Continuous temperature of cable	60 °C
Insulation components continuous temperature	100 °C
Fire load	1.41 kWh

**Dimensions**

Total length	1 m
--------------	-----

**Classification**

ECLASS 11	
ECLASS 8.1	27440604
ETIM 7.0	EC002587
ETIM 6.0	EC002587
ETIM 5.0	EC002587
ETIM 4.0	EC002587

**Note**

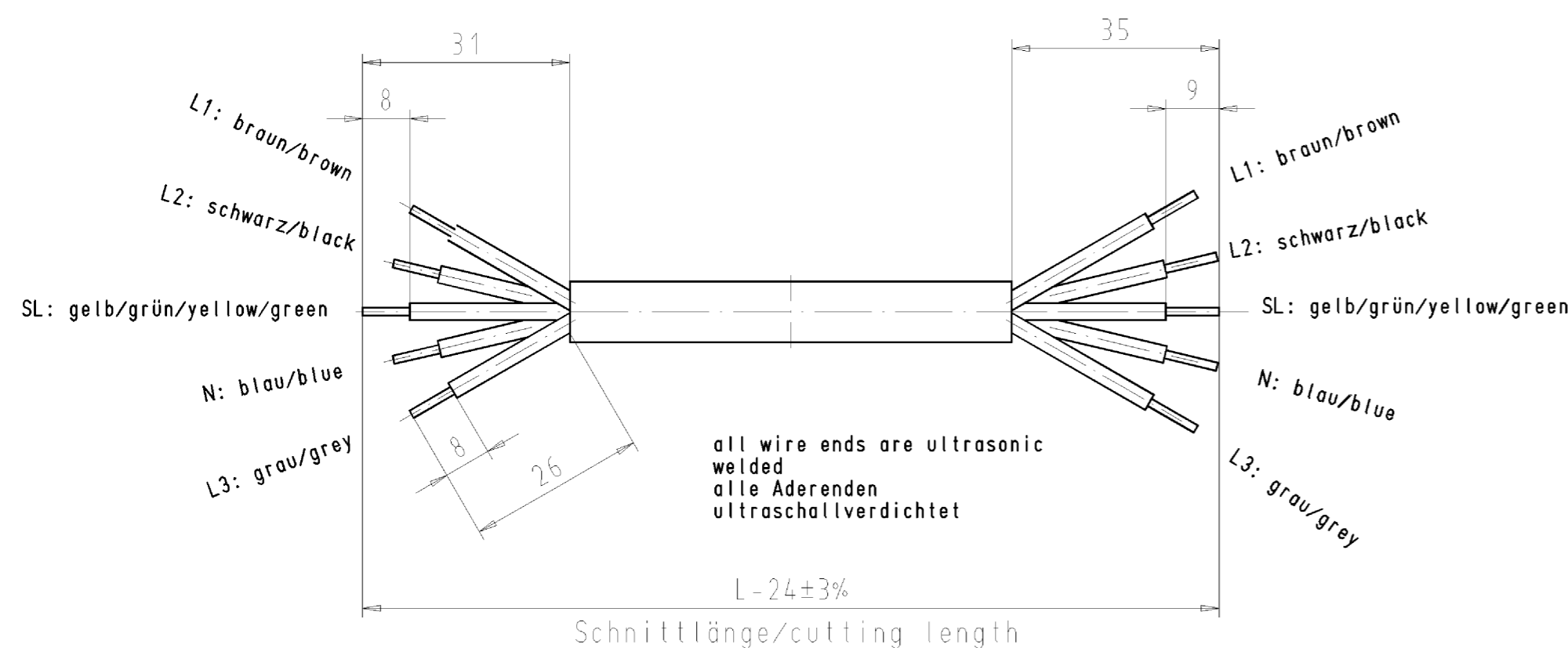
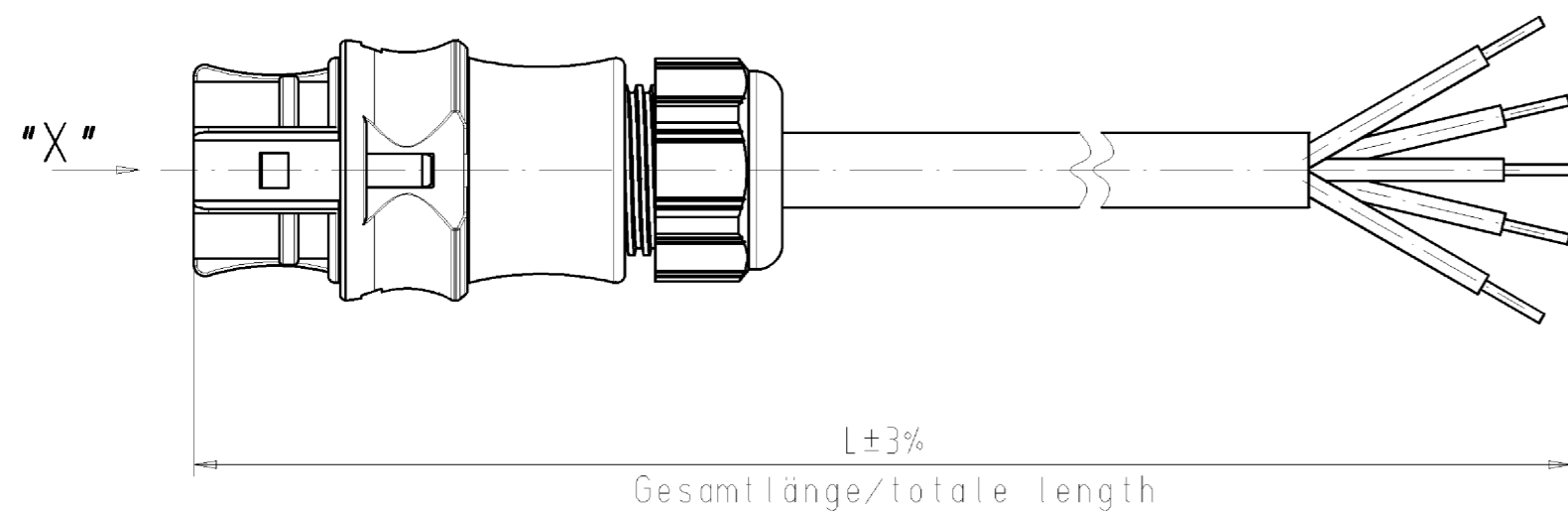
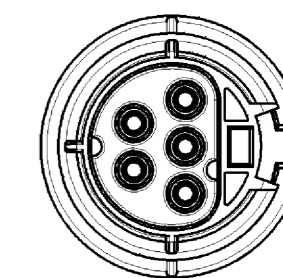
Note	The total length may vary up to + / - 3 %.
------	--

**Product compliance**

ROHS conformity status	Compliant/Exempted
ROHS exceptions	III-6(c)
REACH-SVHC conformity status	Duty-To-Declare
REACH-SVHC substances	Lead
REACH-SVHC CAS numbers	7439-92-1

Kodierung/keying 0  
(250V/20A)

"X"



Kabeltype/cable type H07RN-F 5G1,5

Farbe/color	.F
schwarz/black	.1
lichtgrau/light grey	.0

Teile-Nr. part-no.	L	Beispiel (Farbe: schwarz, lichtgrau) example (colour: black, grey)	Typ type
96.452.XX33.1	XX in dm-Schritten	96.452.1033.1 = 10dm/L= 1000mm	RST2015KSB- 15 10SW
96.452.XX33.0		96.452.1033.0	RST2015KSB- 15 10GL
U6.452.XX33.1	XX in m-Schritten	U6.452.1233.1 = 12 m/L=12000mm	RST2015KSB- 15 X12SW
U6.462.XX33.0		U6.452.1233.0	RST2015KSB- 15 X12GL

Tolerierung nach DIN 7167/Tolerance system acc. to DIN 7167. (This DIN-standard describes the envelope principle. According to the envelope principle the deviations of form and parallelism are limited by the size tolerances).		ja/yes <input type="checkbox"/> Stoffverhalts- und Deklarationsliste nach UU-TOM-05/03 ist einzuhalten. Conformity with Wieland document UU-TOM-05/03 (list of prohibited / declarable hazardous substances) to be declared!	
Freitoleranz nach General tolerance	CAD - Zeichnung, keine manuellen Änderungen CAD - drawing, no manual modifications allowed	1. Verwendung: First Use:	Blatt: Sheet: 1 von 1 of 1
Werkstoff/Material		2006	Tag/Date
gezeichnet drawn		26.02.	Kneitz
geprüft checked		-	-
Werkzeug- Stand. check		-	-
Maßstab/Scale		1:1	
Val.		mm Dtl./Surf. mm	
Ersatz für/Replacement for:		-	
wieland		Type	
Benennung/Title		KONFEKT_LEITUNG	
Index		Date / Blatt Date / Sheet	
Änderung/Revision		ready made cable Schraubanschluss ohne Drahtschutz/screw-connection without wire protection Kodierung/keying 0 (250V/20A)	

Weitergabe sowie Vervielfältigung dieses Dokuments, Verwertung und Mitteilung  
 seines Inhalts sind verboten, soweit nicht ausdrücklich gestattet.  
 The reproduction, distribution and utilization of this document as well as the  
 communication of its contents to others without express authorization is prohibited.

96452103301K\_F\_CAD/1019\_Kneitz\_2006-04-27/08/17/03 1/00