

4

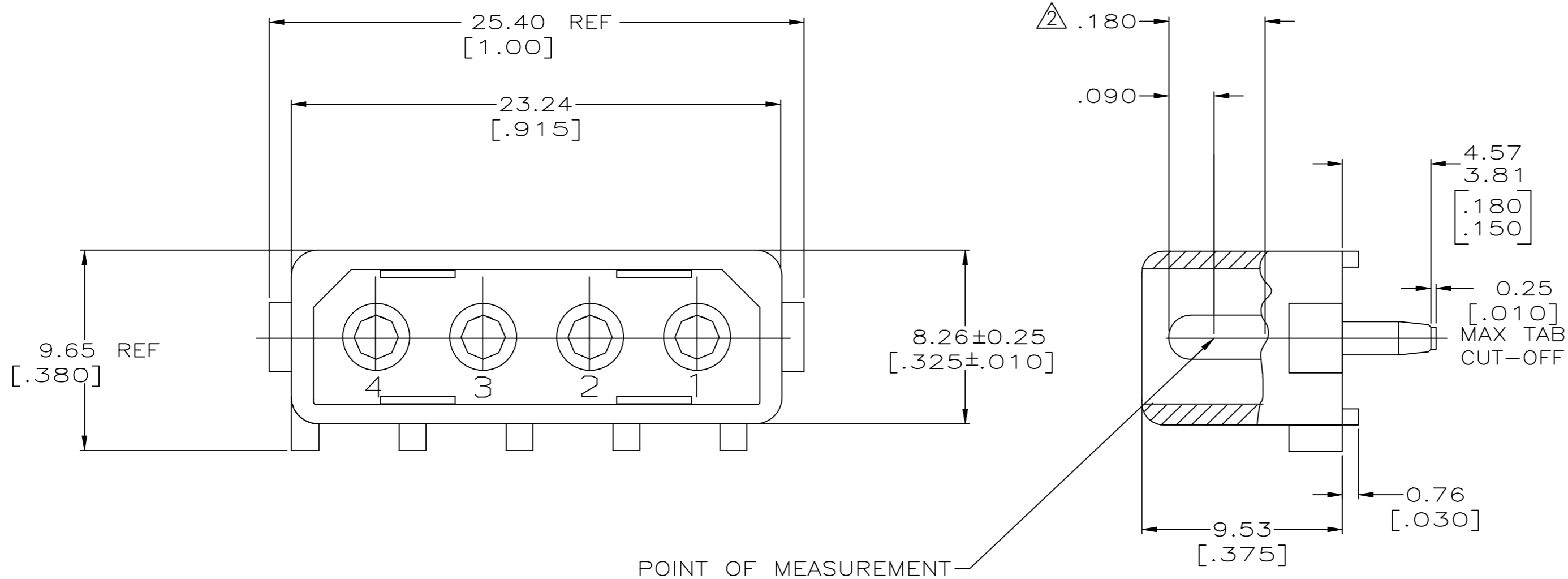
3

2

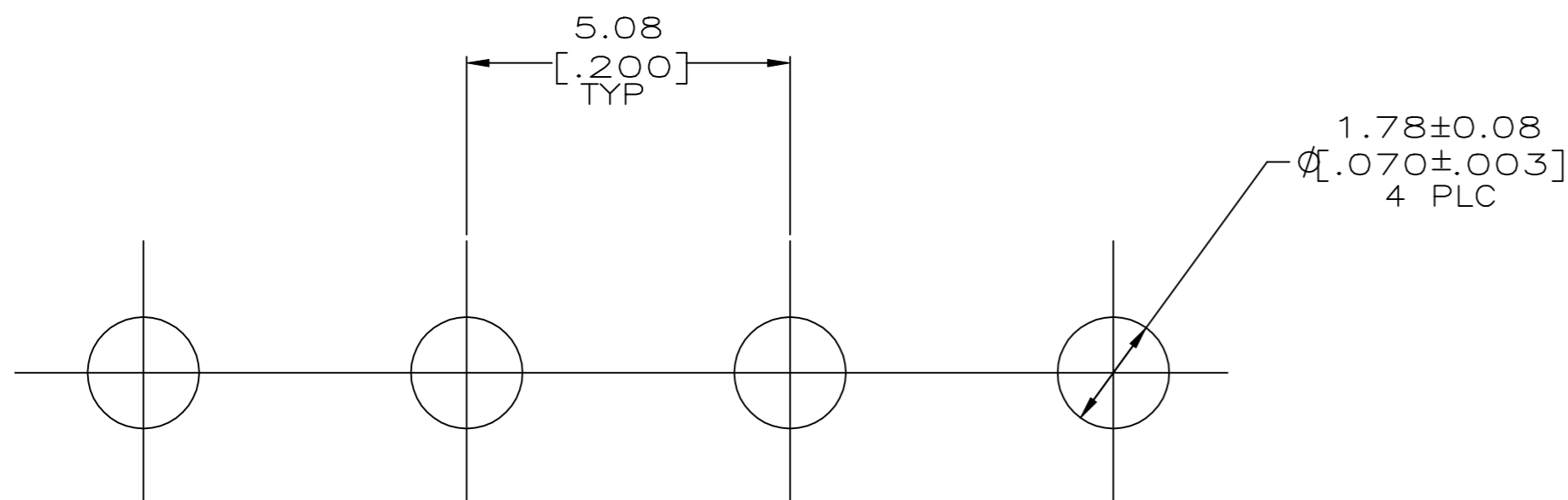
1

THIS DRAWING IS UNPUBLISHED. RELEASED FOR PUBLICATION
© COPYRIGHT - By - ALL RIGHTS RESERVED.

REVISIONS					
P	LTR	DESCRIPTION	DATE	DWN	APVD
	U5	REVISED PER ECR-18-008156	21JUN2018	JB	DZ



- PARTS MUST COMPLY WITH TE SOLDERABILITY SPECIFICATION 109-11-3.
- CONTACT IS PLATED OVERALL WITH 0.00127 [.000050] NICKEL, THEN 0.00076 [.000030] GOLD OVER CONTACT LENGTH INDICATED AND TIN PLATED ON SOLDER TAIL END.
- DIMENSIONS IN BRACKETS ARE IN INCHES.



OBSOLETE	PIN CONTACT MATERIAL & FINISH	HOUSING MATERIAL & COLOR	PART NUMBER
PHOS BRZ, TIN LEAD	NYLON, UL94V-2	-350211-3-	
SUPERSEDED BY 1586515-2	PHOS BRZ, PRE-TIN	NYLON, UL94V-2	350211-2-
	PHOS BRZ, PRE-TIN	NYLON, UL94V-2	350211-1

THIS DRAWING IS A CONTROLLED DOCUMENT.		DWN K. WHITAKER 27MAY2005	STE TE Connectivity	
DIMENSIONS: mm [INCHES]		CHK D. COLEY 27MAY2005		
TOLERANCES UNLESS OTHERWISE SPECIFIED:		APVD D. COLEY 27MAY2005	NAME	
0 PLC ± -		PRODUCT SPEC		
1 PLC ± -		APPLICATION SPEC		
2 PLC ± 0.38[.015]		-		
3 PLC ± -		-		
4 PLC ± -		-		
ANGLES ± 0°30'		-		
MATERIAL SEE TABLE	FINISH SEE TABLE	WEIGHT 0.000000	SIZE A2	CAGE CODE 00779
CUSTOMER DRAWING		DRAWING NO C=350211	RESTRICTED TO -	SCALE 5:1
		SHEET 1 of 1	REV U5	