

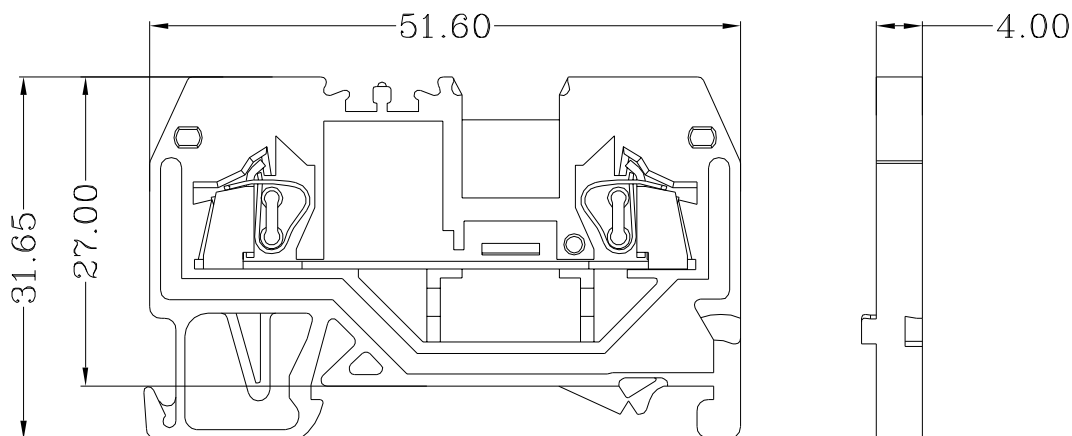


# 宁波速普电子有限公司

## NINGBO SUPU ELECTRONICS.CO.,LTD

### 产品规格书

### Product Specification



IEC 额定数据/IEC Rated data				
接线范围/Wire range	0.2-1.5mm <sup>2</sup>			
单股导线/Solid	0.2-1.5mm <sup>2</sup>			
软导线/Stranded	0.2-1.5mm <sup>2</sup>			
带端头软导线/Stranded with ferrules without plastic sleeve	0.2-1.0mm <sup>2</sup>			
带预绝缘端头软导线/Stranded with ferrules with plastic sleeve	0.2-1.0mm <sup>2</sup>			
剥线长度/Strip length	8-9mm			
额定电压/Rated voltage	800V			
额定电流/Rated current	18A			
额定脉冲耐受电压/Rated surge voltage	8KV			
污染等级/Pollution degree	3			
过电压类别/Surge voltage category	III			
UL 额定数据/UL Rated data		B	C	D
额定电流/Rated current	10A	10A		
额定电压/Rated voltage	600V	600V		
接线范围/Wire range	24-16AWG			
其他信息/Other information				
塑件/Housing	PA66			
触点材料/Contact	铜合金/Copper alloy			
镀层/Coating	锡/Tin			
阻燃等级/Flame retardant rating	V0			
使用环境温度/Usage ambient temperture	-25℃ - +70℃			
储存及运输环境温度/Strrage ambient temperature	-40℃ - +85℃			
导轨尺寸/rails Size	SP35X7.5/SP35X15			
<b>认证/Approval</b>				

#### 订货信息 Order Info

订货号 PART NUMBER	颜色 COLOR
215921	灰色/Gray
215922	橙色/Orange
215923	红色/Red
215924	蓝色/Blue
215925	黄色/Yellow

未标注公差参照GB/T14486

基本尺寸	0-3	>3-6	>6-10	>10-14	>14-18	>18-24	>24-30	>30-40	>40-50	>50-65	>65-80	>80-100	>100-120	>120-140
公差	±0.08	±0.09	±0.10	±0.12	±0.14	±0.16	±0.18	±0.21	±0.24	±0.28	±0.32	±0.36	±0.41	±0.46

单位/Unit	mm	Rev.	01	Name
				21592X 2通道正面接线端子 21592X 2conductor through terminal blocks of front-entry