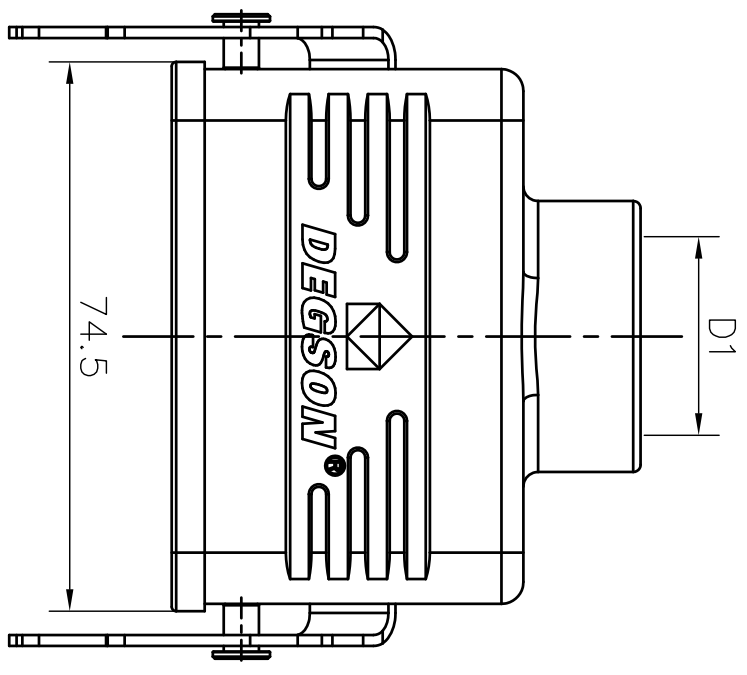
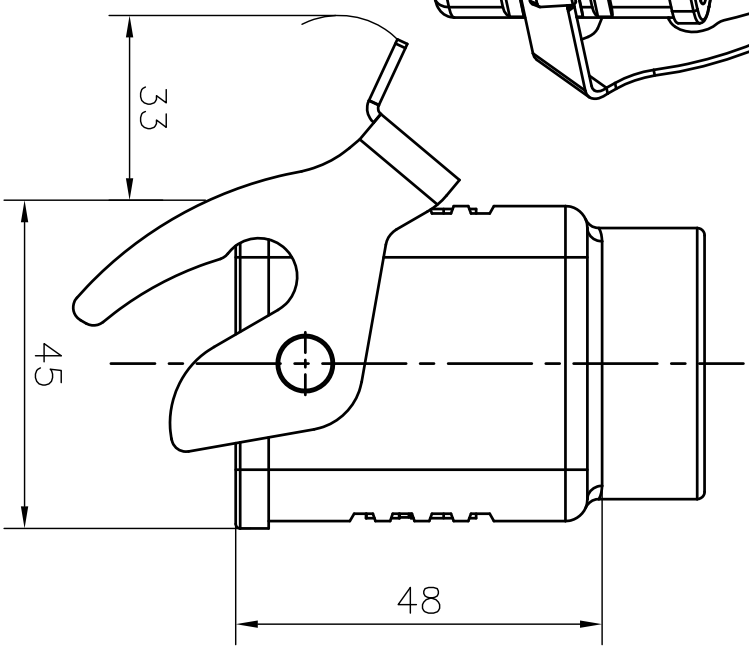
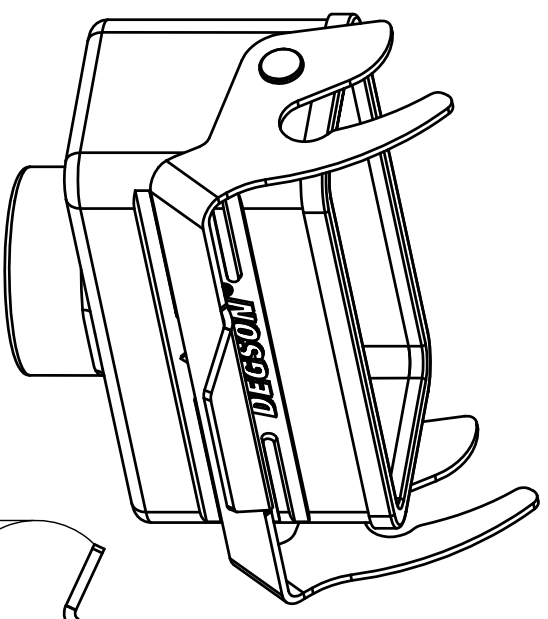


TYPE	Thread(D1)	Selection
D10B-CCT-1L-M20	M20	
D10B-CCT-1L-M25	M25	
D10B-CCT-1L-PG16	PG16	

REVISION RECORD			
REV	ECN	DESCRIPTION	DATE



Housings Feature

1. Material: aluminium die-cast
2. Surface: Powder-coated
3. Color: grey (RAL 7037)
4. Material: Metal (Lever)
5. Sealing: NBR
6. Limiting temperatures: -40°C ~ +125°C
7. Flammability acc to UL94: V0
8. Degree of protection acc.to EN60529 for coupled connector: IP65
9. Rohs compliance

DETACHED LISTS			
PART NO.:	/	NAME:	NINGBO DEGSON ELECTRICAL CO., LTD
APPD:	Huang JS 2020.05.08	TITLE:	D10B-CCT-1L-M/PG
CHKD:	Yang SH 2020.05.08	DRAWING NO.:	
DFT:	Lu JK 2020.05.08	DO NOT SCALE DRAWING	SCALE
THIRD ANGLE PROJECTION		REV	DO
		SHEET	1/1
		SCALE	1:1

A 8 7 6 5 4 3 2 1