

1
RoHS Compliance

A

B

C

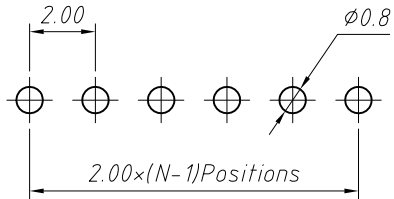
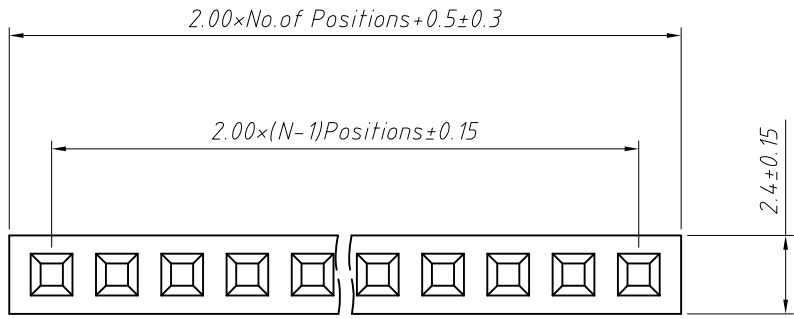
D

E

F

G

H

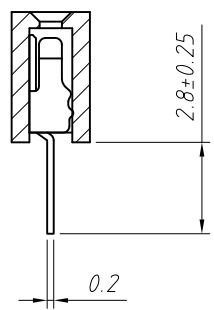
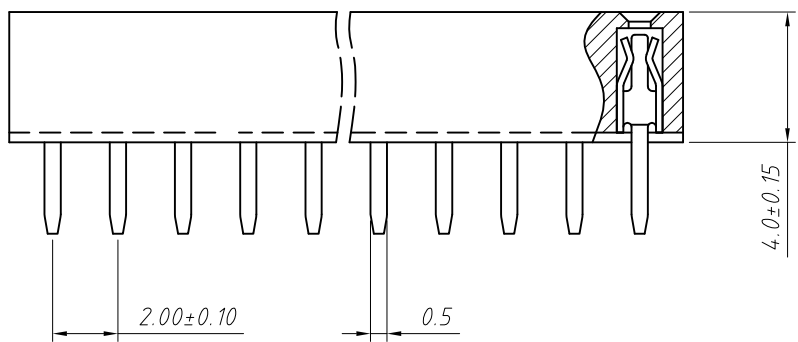


Recommended P.C.B Layout (Top Side)
(PCB BOARD TOLERANCE±0.05)

Material:
Standard:PBT/PA6T
Contact:Brass
Plating: Au or Sn Over Ni
Insulator: Polyester, UL94V-0

Electrical Characteristics:
Rated Current: 1.5AMP
Contact Resistance: 20mΩ Max
Withstand Voltage: 500V AC/DC
Insulator Resistance: 1000MΩ Min

Mechanical
Operating Temperature: -40°C ~ +105°C
Max.Processing Temp: 230°C for 30-60 seconds (260°C for 10 seconds)



Order Information:
L-KLS1-208B-4.0-1-XX-S-B

- L: RoHS
- Female Header
- Series 208B: 2.00mm
- Plastics Height: 4.0mm
- Per Row: Single layer
- Pin: No. of Pins (1x40)
- Type: Straight Pin
- Material: A=PBT B=PA6T C=LCP

ANGLE TOLERANCE	PROJECTION	Description:	2.0x4.0mm Female Header Single layer, Straight Pin, 1xN Pin	
±3°				
GENERAL TOLERANCE	UNITS	mm	KLS P/N:	L-KLS1-208B-4.0-1-XX-S-B
x.x ±0.30	SHEET SIZE	A4		
x.xx ±0.20	Draw:	Daniel	2018-07-10	
x.xxx ±0.10	Check:	Daniel	2018-07-10	

NingBo KLS ELECTRONIC CO.,L.TD.

A

B

C

D

E

F

G

H

1

2

3

4

5

6

7

8

1
RoHS Compliance

2

3

4

5

6

7

8

A

B

C

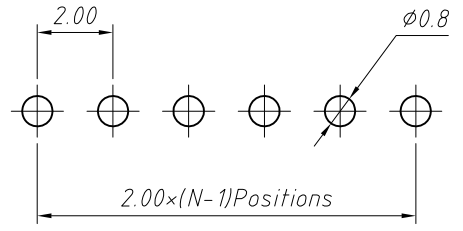
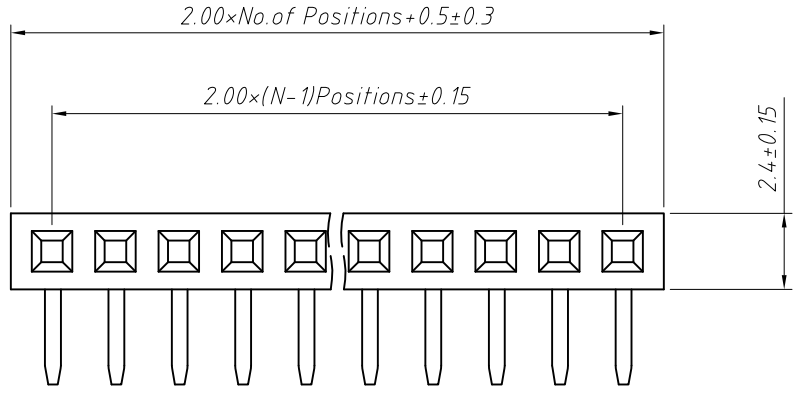
D

E

F

G

H

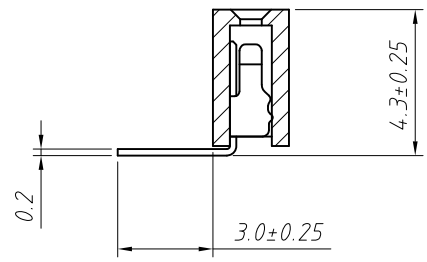
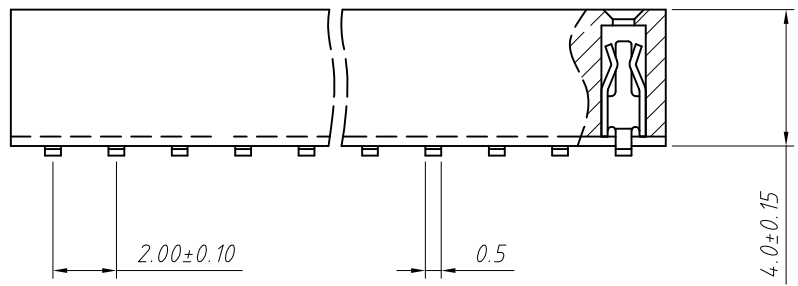


Recommended P.C.B Layout (Top Side)
(PCB BOARD TOLERANCE ±0.05)

Material:
Standard: PBT/PA6T
Contact: Brass
Plating: Au or Sn Over Ni
Insulator: Polyester, UL94V-0

Electrical Characteristics:
Rated Current: 1.5AMP
Contact Resistance: 20mΩ Max
Withstand Voltage: 500V AC/DC
Insulator Resistance: 1000MΩ Min

Mechanical
Operating Temperature: -40°C ~ +105°C
Max. Processing Temp: 230°C for 30-60 seconds (260°C for 10 seconds)



Order Information:
L-KLS1-208B-4.0-1-XX-R-B
L: RoHS
Female Header
Series 208B: 2.00mm
Plastics Height: 4.0mm
Per Row: Single layer
Pin: No. of Pins (1x40)
Type: Right Angle Pin
Material: A=PBT B=PA6T C=LCP

ANGLE TOLERANCE	PROJECTION	Description:	2.0x4.0mm Female Header Single layer, Right Angle Pin, 1xN Pin	
±3°				
GENERAL TOLERANCE	UNITS	mm	KLS P/N:	L-KLS1-208B-4.0-1-XX-R-B
x.x ±0.30	SHEET SIZE	A4		
x.xx ±0.20	Draw:	Daniel	2018-07-10	
x.xxx ±0.10	Check:	Daniel	2018-07-10	

NingBo KLS ELECTRONIC CO., L TD.

1

2

3

4

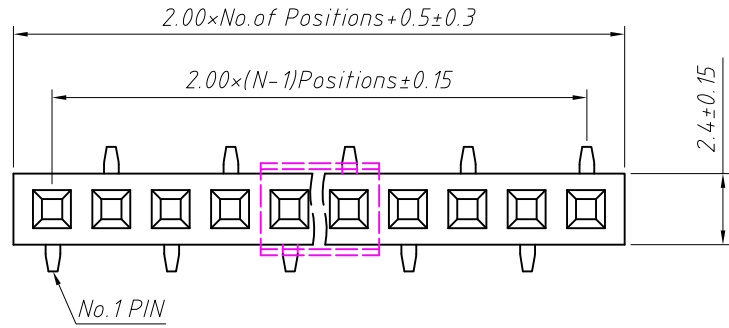
5

6

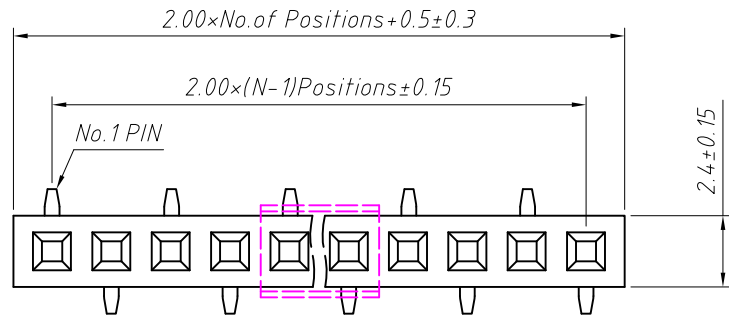
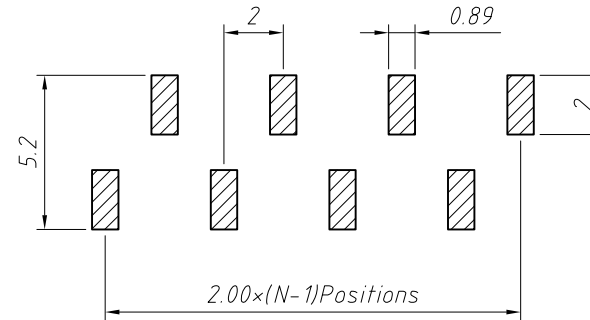
7

8

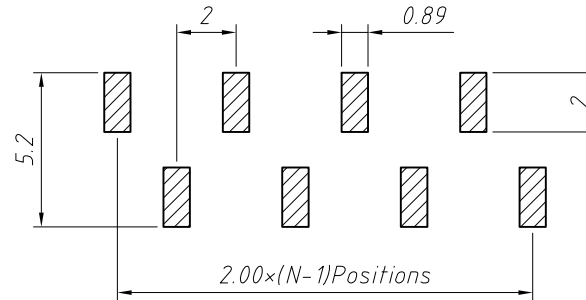
RoHS Compliance



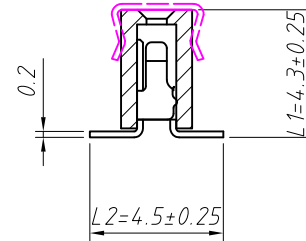
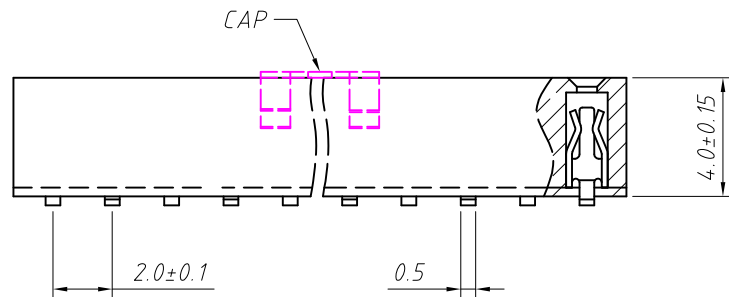
T2 Type



T1 Type



Recommended P.C.B Layout (Top Side)
(PCB BOARD TOLERANCE ± 0.05)



Material:
 Standard: PA6T
 Contact: Brass
 Contact plating: Au or Sn over Ni
 Nickel Insulator: Polyester, UL 94 V-0

Electrical Characteristics:
 Rated Current: 1.5AMP
 Contact Resistance: 20mΩ Max
 Withstand Voltage: 500V AC/DC
 Insulator Resistance: 1000MΩ Min

Mechanical
 Operating Temperature: -40°C ~ +105°C
 Max. Processing Temp: 230°C for 30-60 seconds (260°C for 10 seconds)

Order Information:

L-KLS1-208B-4.0-1-XX-T1-L1xL2-N-B-R

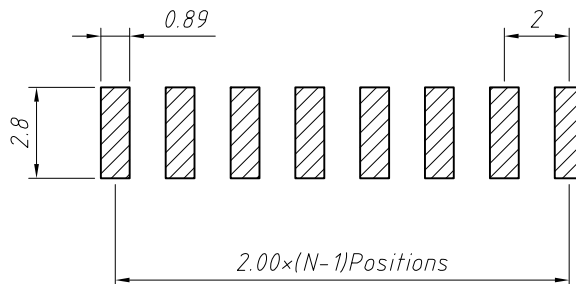
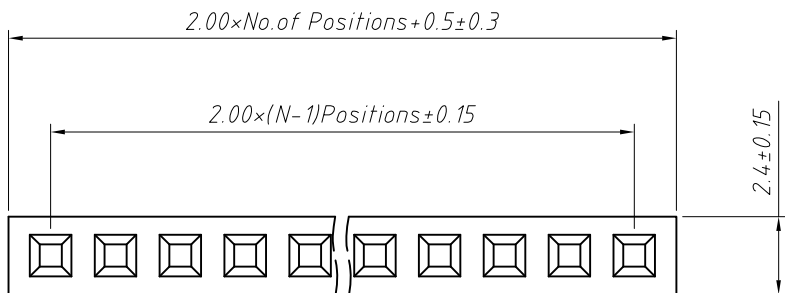
L: RoHS
 Pin Header Series -
 208B: 2.00mm
 Plastics Height: 4.0mm
 Per Row: Single layer
 Pin: No. of Pins (1x40)
 SMT Pin: T1 Type, T2 Type
 Size: L1xL2
 Post: W=With Post N=W/O Post
 Material: A=PBT B=PA6T C=LCP
 Packing:
 A=Tray T=Tube M=Reel+Mylar
 P=Tube+Cap R=Reel+Cap

Dimension antitheses list (mm)			
ITEM	L1	L2	Plastic Height
Standard	4.30	4.50	4.00
Nonstandard	---	---	---

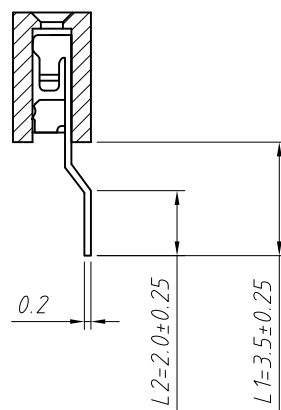
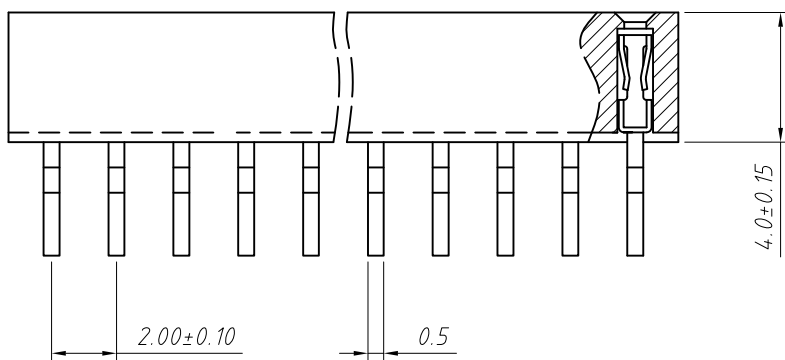
ANGLE TOLERANCE	PROJECTION	Description:	2.00mm Female Header Single layer, SMT Pin, 1xN Pin	
±3°				
GENERAL TOLERANCE	UNITS	mm	KLS P/N:	L-KLS1-208B-4.0-1-XX-T1-L1xL2-N-B-R
x.x ±0.30	SHEET SIZE	A4		
x.xx ±0.20	Draw:	Daniel	2018-07-10	
x.xxx ±0.10	Check:	Daniel	2018-07-10	

KLS NingBo KLS ELECTRONIC CO.,L TD.

1 RoHS Compliance



Recommended P.C.B Layout (Top Side)
(PCB BOARD TOLERANCE ± 0.05)



Material:
Standard: PA6T
Contact: Phosphor Bronze
Plating: Au or Sn Over Ni
Insulator: Polyester, UL 94V-0

Electrical Characteristics:
Rated Current: 15AMP
Contact Resistance: 20mΩ Max
Withstand Voltage: 500V AC/DC
Insulator Resistance: 1000MΩ Min

Mechanical
Operating Temperature: -40°C ~ +105°C
Max. Processing Temp: 230°C for 30-60 seconds (260°C for 10 seconds)

Order Information:

L-KLS1-208B-4.0-1-XX-RM-L1xL2-N-B-R

L: RoHS
Female Header
Series 208B: 2.00mm
Plastics Height: 4.0mm
Per Row: Single layer
Pin: No. of Pins (1x40)
SMT Type: Horizontal SMT
Size: L1xL2
Post: W=With Post N=W/O Post
Material: A=PBT B=PA6T C=LCP
Packing:
A=Tray T=Tube M=Reel+Mylar
P=Tube+Cap R=Reel+Cap

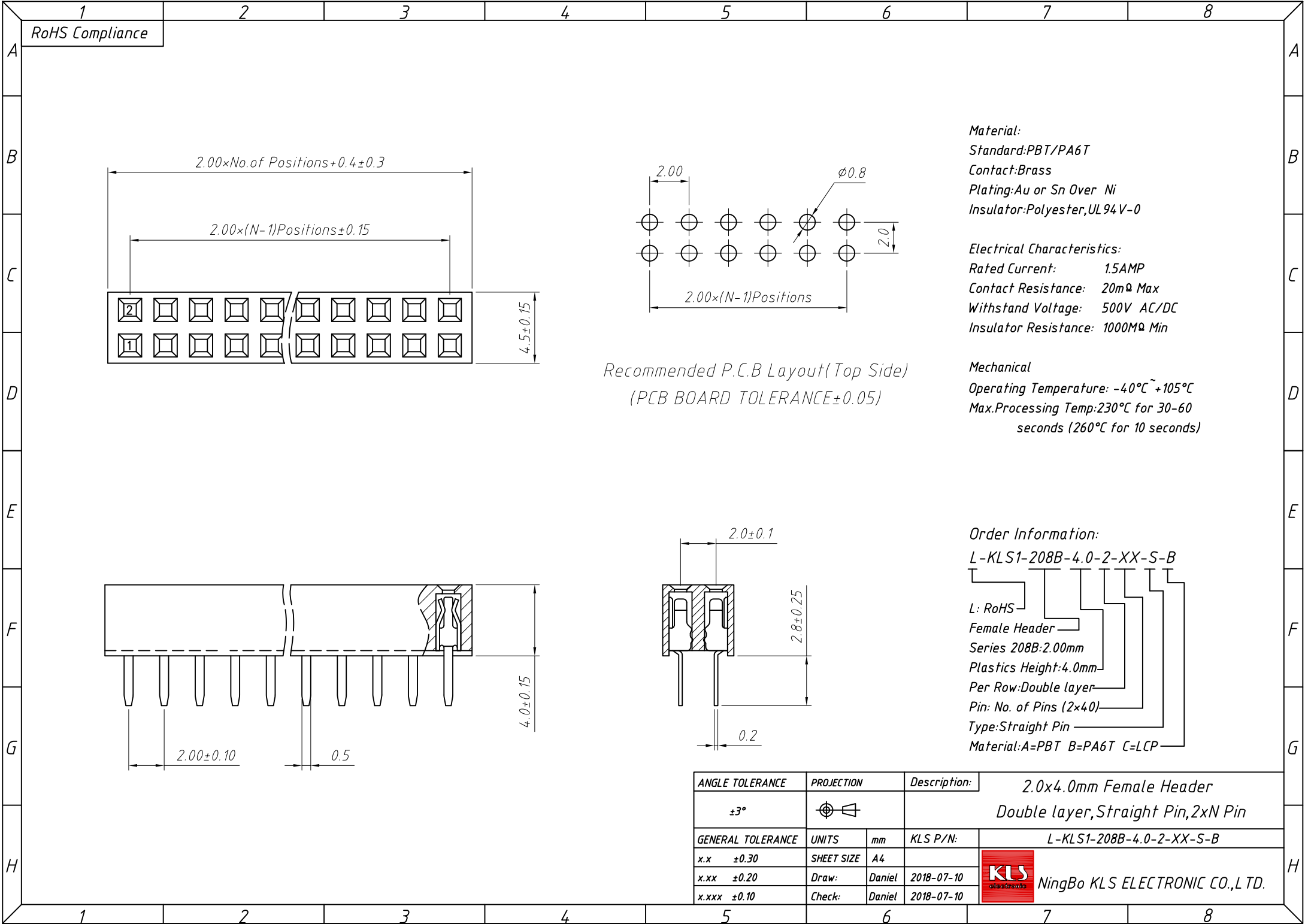
Dimension antitheses list (mm)			
ITEM	L1	L2	Plastic Height
Standard	3.50	2.00	4.00
Nonstandard	---	---	---

ANGLE TOLERANCE	PROJECTION	Description:
±3°		2.0x4.0mm Female Header Single layer, Horizontal SMT, 1xN Pin
GENERAL TOLERANCE	UNITS	mm
x.x ±0.30	SHEET SIZE	A4
x.xx ±0.20	Draw:	Daniel 2018-07-10
x.xxx ±0.10	Check:	Daniel 2018-07-10



NingBo KLS ELECTRONIC CO., L TD.

1
RoHS Compliance



Material:
Standard:PBT/PA6T
Contact:Brass
Plating: Au or Sn Over Ni
Insulator: Polyester, UL94V-0

Electrical Characteristics:
Rated Current: 1.5AMP
Contact Resistance: 20mΩ Max
Withstand Voltage: 500V AC/DC
Insulator Resistance: 1000MΩ Min

Mechanical
Operating Temperature: -40°C ~ +105°C
Max.Processing Temp: 230°C for 30-60 seconds (260°C for 10 seconds)

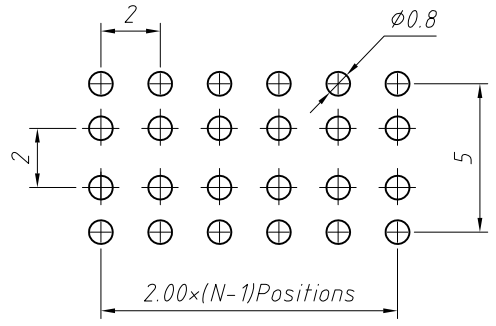
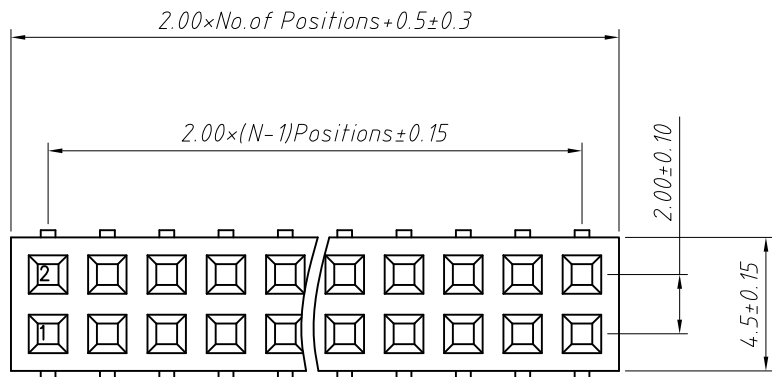
Order Information:
L-KLS1-208B-4.0-2-XX-S-B

L: RoHS
Female Header
Series 208B: 2.00mm
Plastics Height: 4.0mm
Per Row: Double layer
Pin: No. of Pins (2x4.0)
Type: Straight Pin
Material: A=PBT B=PA6T C=LCP

ANGLE TOLERANCE	PROJECTION	Description:	2.0x4.0mm Female Header Double layer, Straight Pin, 2xN Pin	
±3°				
GENERAL TOLERANCE	UNITS	mm	KLS P/N:	L-KLS1-208B-4.0-2-XX-S-B
x.x ±0.30	SHEET SIZE	A4		
x.xx ±0.20	Draw:	Daniel	2018-07-10	
x.xxx ±0.10	Check:	Daniel	2018-07-10	

KLS NingBo KLS ELECTRONIC CO.,L TD.

1 RoHS Compliance

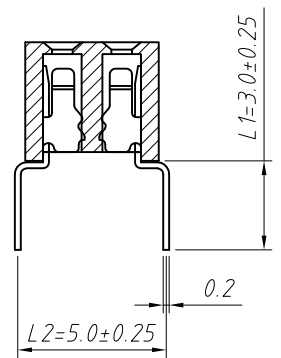
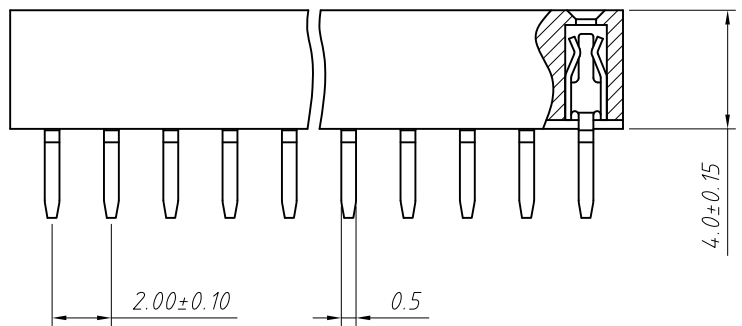


Recommended P.C.B Layout (Top Side)
(PCB BOARD TOLERANCE±0.05)

Material:
Standard:PBT/PA6T
Contact:Brass
Plating: Au or Sn Over Ni
Insulator: Polyester, UL 94 V-0

Electrical Characteristics:
Rated Current: 1.5AMP
Contact Resistance: 20mΩ Max
Withstand Voltage: 500V AC/DC
Insulator Resistance: 1000MΩ Min

Mechanical
Operating Temperature: -40°C ~ +105°C
Max.Processing Temp: 230°C for 30-60 seconds (260°C for 10 seconds)



Order Information:
L-KLS1-208B-4.0-2-XX-W-L1xL2-B

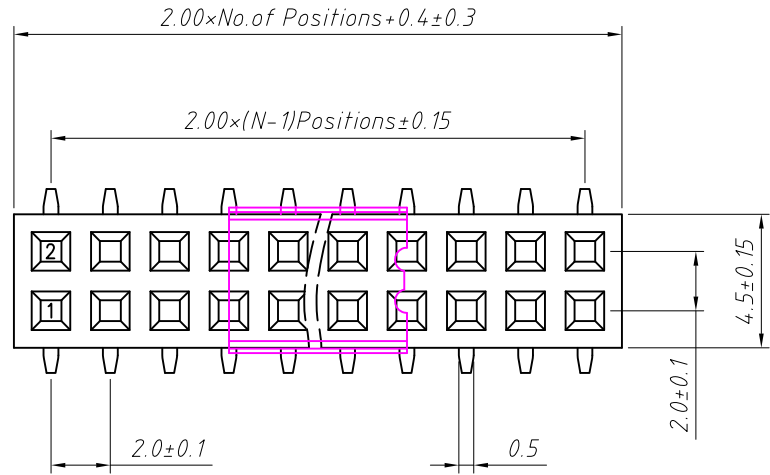
L: RoHS
Female Header
Series 208B: 2.00mm
Plastics Height: 4.0mm
Per Row: Double layer
Pin: No. of Pins (2x40)
Type: Bottom Entry
Size: L1xL2
Material: A=PBT B=PA6T C=LCP

Dimension antitheses list (mm)			
ITEM	L1	L2	Plastic Height
Standard	3.00	5.00	4.00
Nonstandard	---	---	---

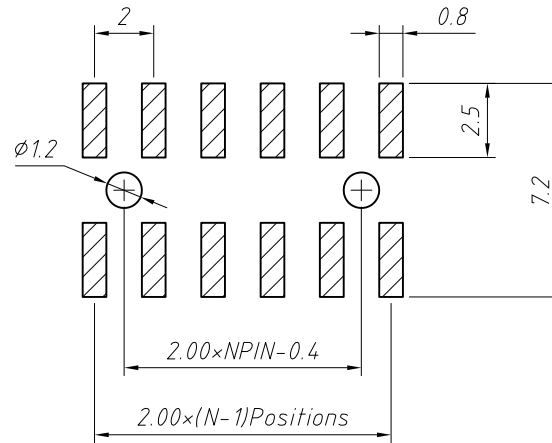
ANGLE TOLERANCE	PROJECTION	Description:	2.0x4.0mm Female Header Double layer, Bottom Entry, 2xN Pin
±3°			
GENERAL TOLERANCE	UNITS	mm	KLS P/N:
x.x ±0.30	SHEET SIZE	A4	L-KLS1-208B-4.0-2-XX-W-L1xL2-B
x.xx ±0.20	Draw:	Daniel	2018-07-10
x.xxx ±0.10	Check:	Daniel	2018-07-10



RoHS Compliance



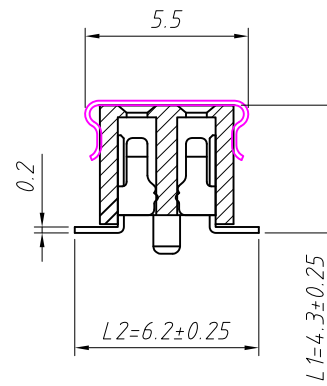
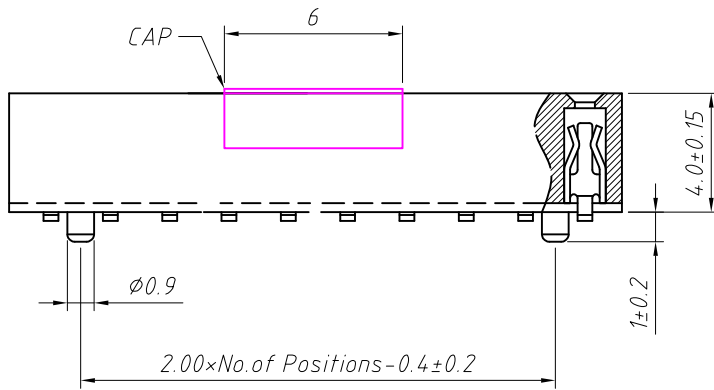
Recommended P.C.B Layout (Top Side)
(PCB BOARD TOLERANCE ± 0.05)



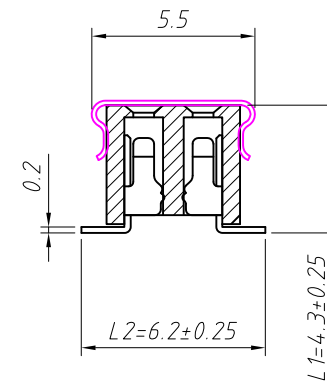
Material:
Standard: PA6T
Contact: Brass
Contact plating: Au or Sn over Ni
Nickel Insulator: Polyester, UL 94V-0

Electrical Characteristics:
Rated Current: 1.5AMP
Contact Resistance: 20mΩ Max
Withstand Voltage: 500V AC/DC
Insulator Resistance: 1000MΩ Min

Mechanical
Operating Temperature: -40°C ~ +105°C
Max. Processing Temp: 230°C for 30-60 seconds (260°C for 10 seconds)



T3=With Post



T=Without Post

Order Information:

L-KLS1-208B-4.0-2-XX-T-L1xL2-B-R

L: RoHS
Pin Header Series-
208B: 2.00mm
Plastics Height: 4.0mm
Per Row: Double layer
Pin: No. of Pins (2x40)
SMT: T=Without Post, T3=With Post
Size: L1xL2
Material: A=PBT B=PA6T C=LCP
Packing:
A=Tray T=Tube M=Reel+Mylar
P=Tube+Cap R=Reel+Cap

Dimension antitheses list (mm)			
ITEM	L1	L2	Plastic Height
Standard	4.30	6.20	4.00
Nonstandard	---	---	---

ANGLE TOLERANCE	PROJECTION	Description:
±3°		2.00mm Female Header Double layer, SMT Pin, 2xN Pin
GENERAL TOLERANCE	UNITS	mm
x.x ±0.30	SHEET SIZE	A4
x.xx ±0.20	Draw:	Daniel 2018-07-10
x.xxx ±0.10	Check:	Daniel 2018-07-10



NingBo KLS ELECTRONIC CO., L TD.