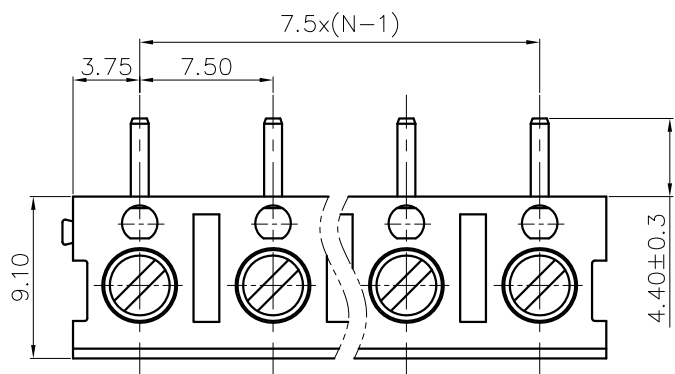
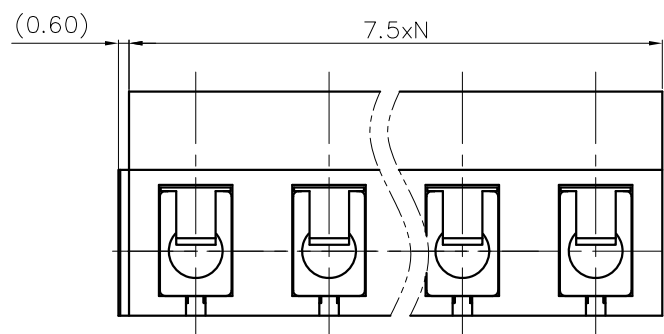


REVISION RECORD				
REV	ECN	DESCRIPTION	DRFT	DATE

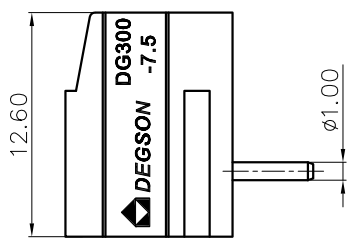
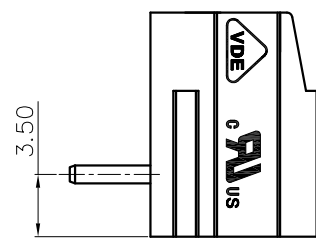


NOTES1:
 UL Standard
 1.Rated Voltage/Current : 300V / 10A
 2.Torque Value : M3 , 4.43Lb.in
 3.Wire Range : 22~14AWG
 IEC Standard
 1.Rated Voltage/Current : 450V / 24A
 2.Torque Value : M3 , 0.5N.m
 3.Wire Range : 1.0~2.5mm²



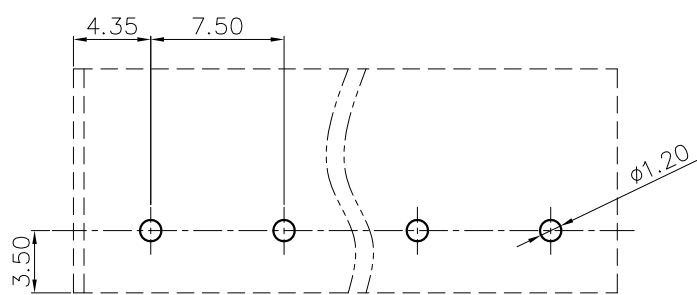
NOTES2:
 1.Dimension shall be interpreted per ASME Y14.5-2009
 2.Pitch : 7.5mm, Poles : N=02~24P
 3.Stripping length : 5~6mm
 4.Withstanding Voltage : AC2000V/1Min.
 5.Operating temperature : -30°C~+120°C
 6.Undimensioned Tolerances:

Pitch Range In mm		Nominal Dimension Range In mm						
TO	Over	TO	Over	TO	Over	0.1/10		
6	10	10	30	60	100	150	<	
6	24	30	60	100	150		±2°	
±0.15		±0.20	±0.30	±0.30	±0.50	±0.70	±1.00	±1.30



7.RoHS Compliance

DG300R - 7.5 - XXP - 1Y - 00A (H)
 (Series No.) (Pitch) (Poles) (Single Pitch) (Color):1.(Grey)
 2.(Blue)
 3.(Black)
 4.(Green)
 5.(Orange)
 6.(Red)
 7.(Transparent)
 8.(Yellow)
 9.(White)
 (RoHS)
 00A-(Standard)



PCB LAYOUT

DETACHED LISTS	PART NO.:	宁波高松电子有限公司 NINGBO DEGSON ELECTRICAL CO., LTD			
	APPD:	NAME: DG300R-7.5-XXP-1Y-00A(H)			
	CHKD:	TITLE: CUSTOMER DRAWING			
	DRFT:	DRAWING NO.:		REV	DO
THIRD ANGLE PROJECTION		MM (INCH)	DO NOT SCALE DRAWING	SHEET	1/1
			SCALE	1:1	