

## Data sheet

Commercial Art.No.: 96.024.0051.4

Connector RST20I2F S23YR1 VL BR0

RST20i3/2 connector (90° angled), 2 pole, male, spring clamp connection, application ~50V/-120V, 20A, for cable diameters 6-10mm, coding color signal brown, color of housing black



Commercial Art.No.	96.024.0051.4
EAN	4049644011610
Order Unit	1

Certificates / Approvals



## Technical data

### General

Rated current	20 A
Rated voltage	50 V / 120 V
Rated impulse voltage	4 kV
strain relief	yes
Pollution degree	3
Lockable	self-locking (unlocking by tool)
Color of coding/ contact carrier	signal brown
Marking of poles	1, 2
Color of housing inclusive strain relief	black

### Connection Data

Cable diameter max.	10 mm
Cable diameter min.	6 mm
Connection cross section solid mm <sup>2</sup> max.	2.5 mm <sup>2</sup>
Connection cross section solid mm <sup>2</sup> min.	0.5 mm <sup>2</sup>
Connection cross section solid AWG min.	20 AWG
Connection cross section solid AWG max.	14 AWG
Connection cross section fine stranded mm <sup>2</sup> max.	1.5 mm <sup>2</sup>
Connection cross section fine stranded mm <sup>2</sup> min.	0.5 mm <sup>2</sup>
Terminations per pole	2
Connection cross section stranded mm <sup>2</sup> min.	0.75 mm <sup>2</sup>
Connection cross section stranded mm <sup>2</sup> max.	1.5 mm <sup>2</sup>
Connection cross section stranded AWG min.	20 AWG
Connection cross section stranded AWG max.	16 AWG

sheath strip length	35 mm
Wire strip length	14.5 mm

#### Model

Model	male
Connection type	spring clamp connection
Degree of protection (IP)	IP66/68 (3m;2h) /IP69

#### Material

Housing material	Polyamide
halogen free	yes
Contact material	CuZn
Fire load	0.302 kWh
Insulation components continuous temperature	100 °C
Surface finish	Silver-plated

#### Dimensions

Length	70.5 mm
Width	34.6 mm
Height	62.3 mm

#### Classification

ECLASS 11	
ECLASS 8.1	27440605
ETIM 7.0	EC002560
ETIM 6.0	EC002560
ETIM 5.0	EC002560
ETIM 4.0	EC002560

#### Note

Note	Fine stranded and stranded conductors require cable end sleeve
------	--

#### Product compliance

ROHS conformity status	Compliant/Exempted
ROHS exceptions	III-6(c)
REACH-SVHC conformity status	Duty-To-Declare
REACH-SVHC substances	Lead
REACH-SVHC CAS numbers	7439-92-1

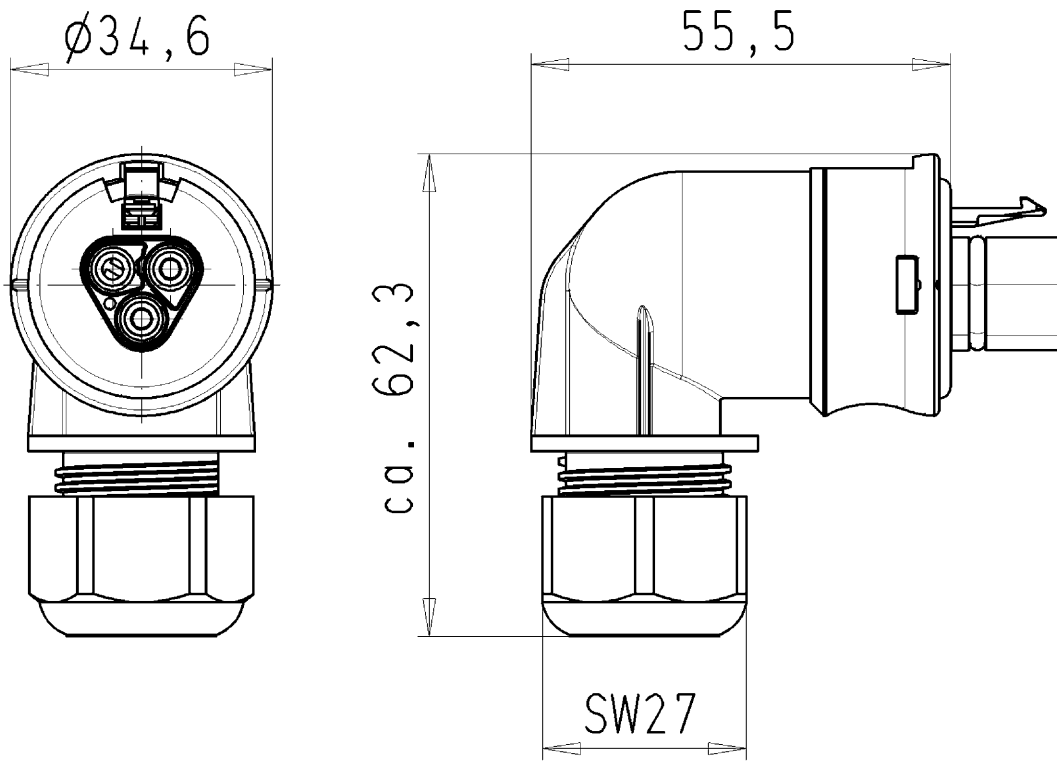
#### Accessories

Commercial Art.No.:	Article-type description:	Description:
06.502.4300.0	screwdriver DIN 5264 A 0,4 X 2,5	Screw driver according to DIN 5264 A, blade: 0.4x2.5 mm, long and straight version
95.101.1300.0	ferrule crimping tool 0,08 - 10 mm <sup>2</sup>	Crimping tool for ferrules, wire strip length: 7-28 mm, nominal cross section: 0,08-10 mm <sup>2</sup> , length of tool: 180 mm
06.600.3627.0	ferrules DIN 46228-E1-12	RST end sleeve, for spring clamp contact, with insulating sleeve, for cross section 1.0 mm <sup>2</sup> /AWG17

06.600.3727.0	ferrules DIN 46228-E0,75-12	RST end sleeve, for spring clamp contact, with insulating sleeve, for cross section 0.75-1.0 mm <sup>2</sup> /AWG17
06.600.3827.0	ferrules DIN 46228-E0,5-10	RST end sleeve, for spring clamp contact, with insulating sleeve, for cross section 0.5 mm <sup>2</sup> /AWG20
06.600.3927.0	ferrules DIN 46228-E1,5-12	RST end sleeve, for spring clamp contact, with insulating sleeve, for cross section 1.5 mm <sup>2</sup> /AWG16
05.564.4453.1	Cover for male connector SW	RST20i3/2 cover piece, for covering unused male connectors, color black
99.416.6205.2	Cover for male connector SW	RST20i3/2 cover piece, for covering unused male connectors, with fastening belt, color black

### Fits with

Commercial Art.No.:	Article-type description:	Description:
96.020.0151.4	Distributor RST20I2V 3P1 F V L BR0	RST20i3/2 distribution block, 2 pole, application ~50V/-120V, 20A, 1 input and 3 outputs, with fastening option, coding color signal brown, color of housing signal brown
96.021.0051.4	Connector RST20I2F B23ZR1S L BR0	RST20i3/2 connector, 2 pole, female, spring clamp connection, application ~50V/-120V, 20A, for cable diameters 6-10mm, coding color signal brown, color of housing black



Buchsenteil mit Zugentlastung  
 96.024.0051.4 10W  
 30.09.2010 WIJ  
 M 1:1