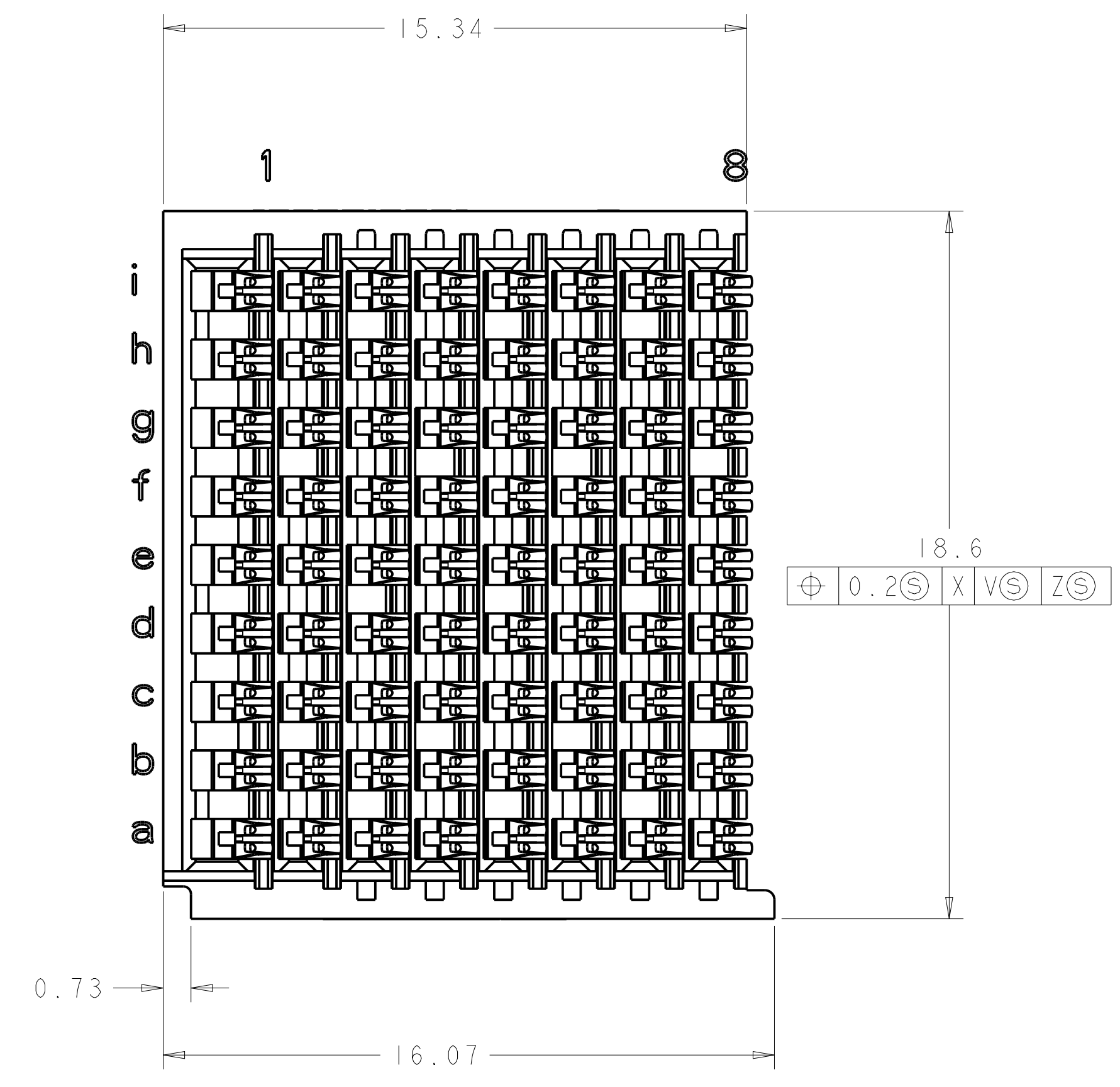
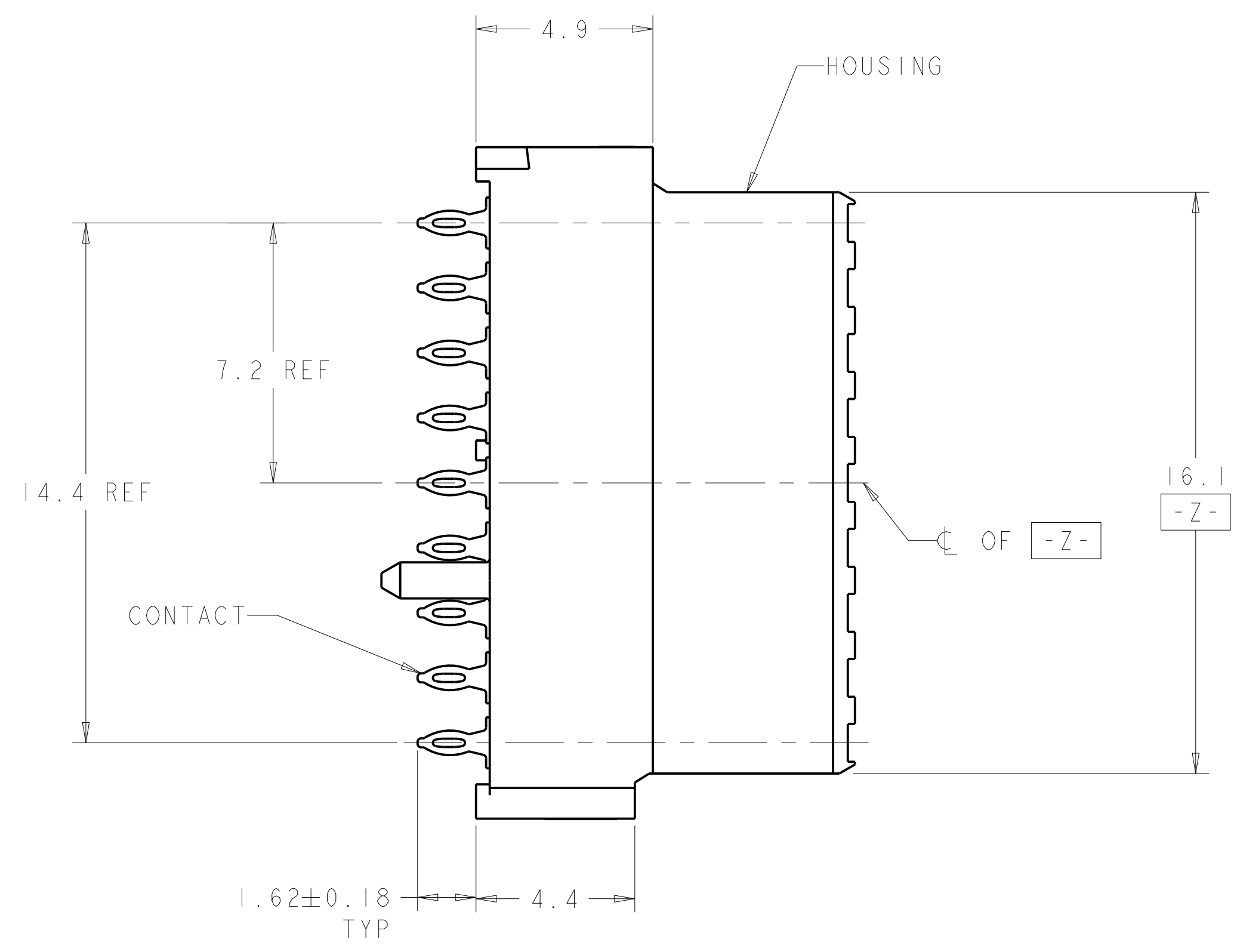
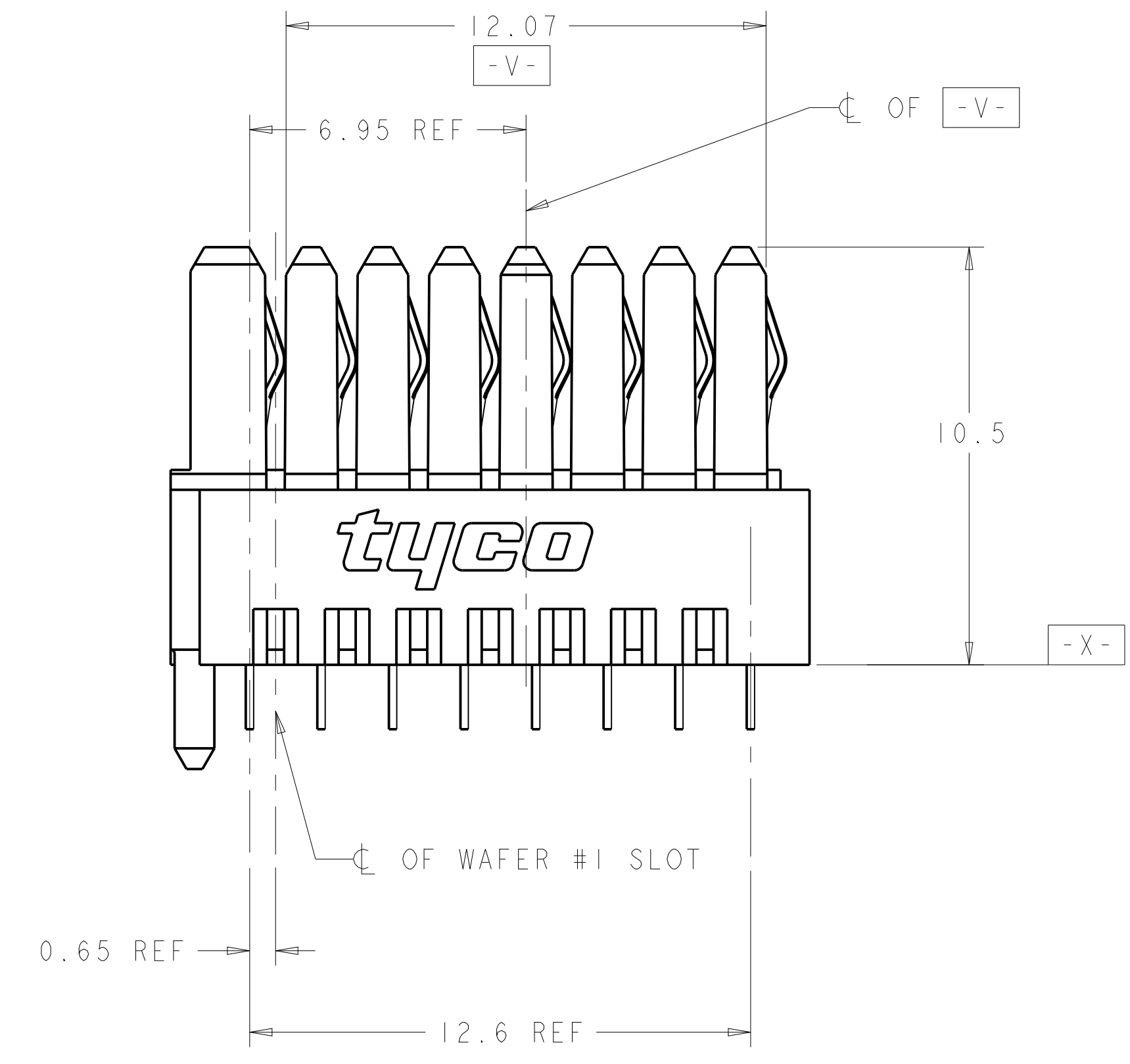
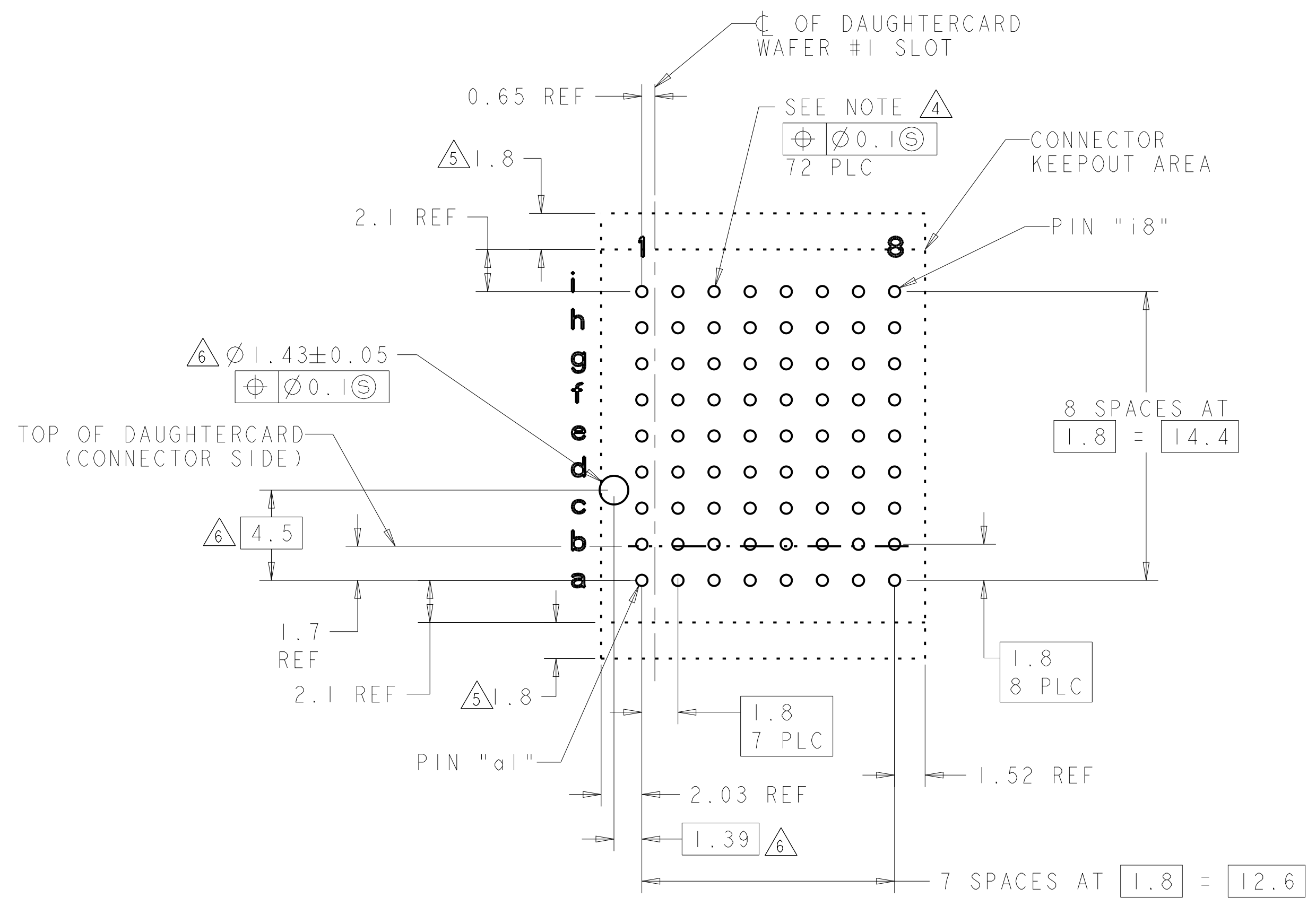


LOC		DIST		REVISIONS			
				DESCRIPTION	DATE	DWN	APVD
		F	REV PER ECO	14-003443	3-21-14	CT	DH



- 1 HOUSING: LCP, UL94V0, COLOR: BLACK. CONTACT: PHOSPHOR BRONZE.
- 2 FINISH: 1.27µm GOLD IN CONTACT AREA 1.27µm MIN. TIN-LEAD ON PCB TAIL OVER 3.81µm MIN. NICKEL OVER ALL.
- 3 FINISH: 1.27µm GOLD IN CONTACT AREA 1.27µm MIN. TIN ON PCB TAIL OVER 3.81µm MIN. NICKEL OVER ALL.
- 4 PLATED THROUGH HOLE PER TE SPEC. 114-13056, FIGURE 4.
- 5 ADDITIONAL CONNECTOR-SIDE KEEP-OUT AREA REQUIRED IF CONNECTOR-SIDE EXTRACTION TOOL IS TO BE USED.
- 6 PLASTIC ALIGNMENT PIN MUST BE REMOVED FLUSH TO HOUSING BODY PRIOR TO INSERTION INTO RTM LAYOUT



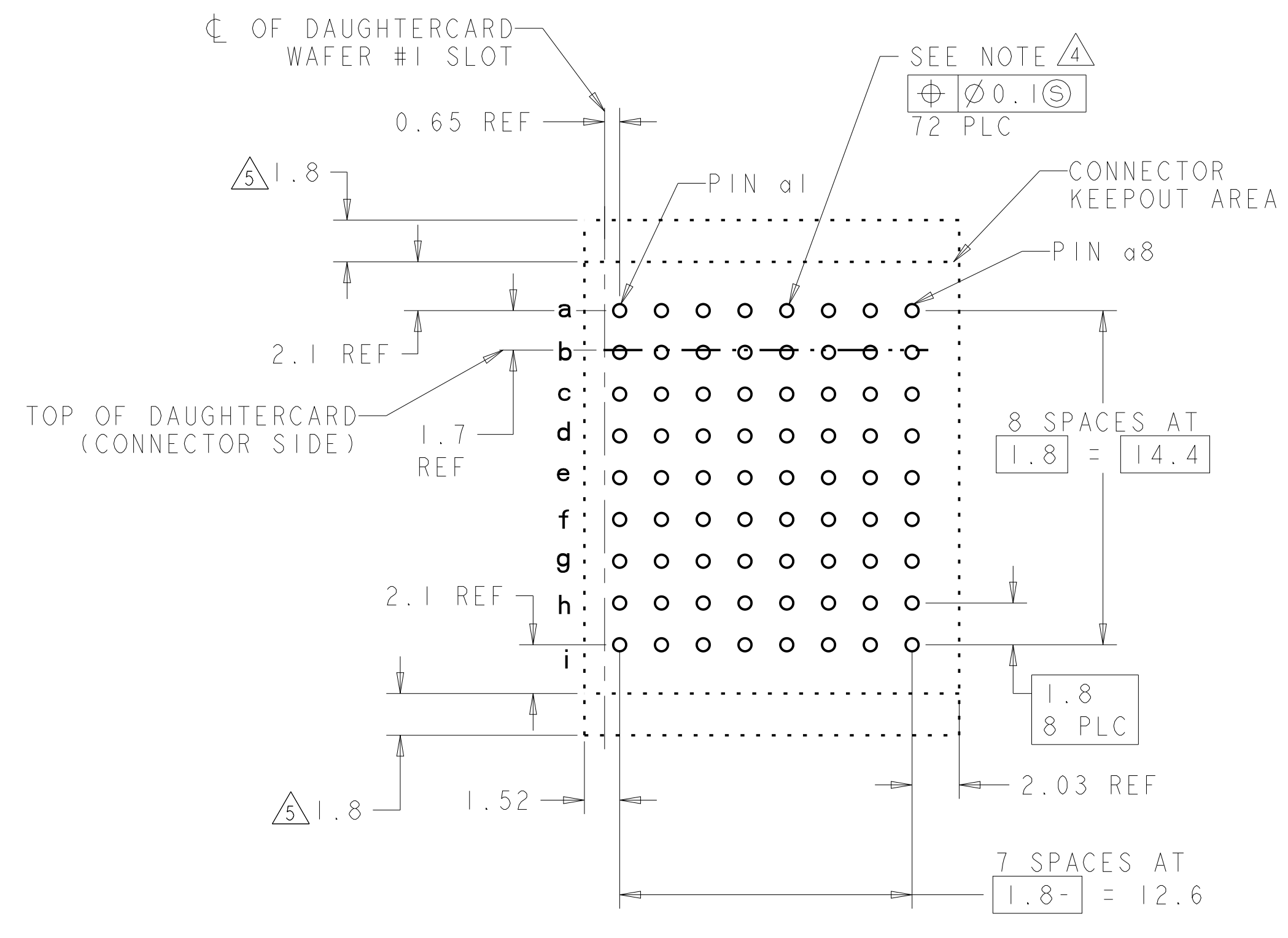
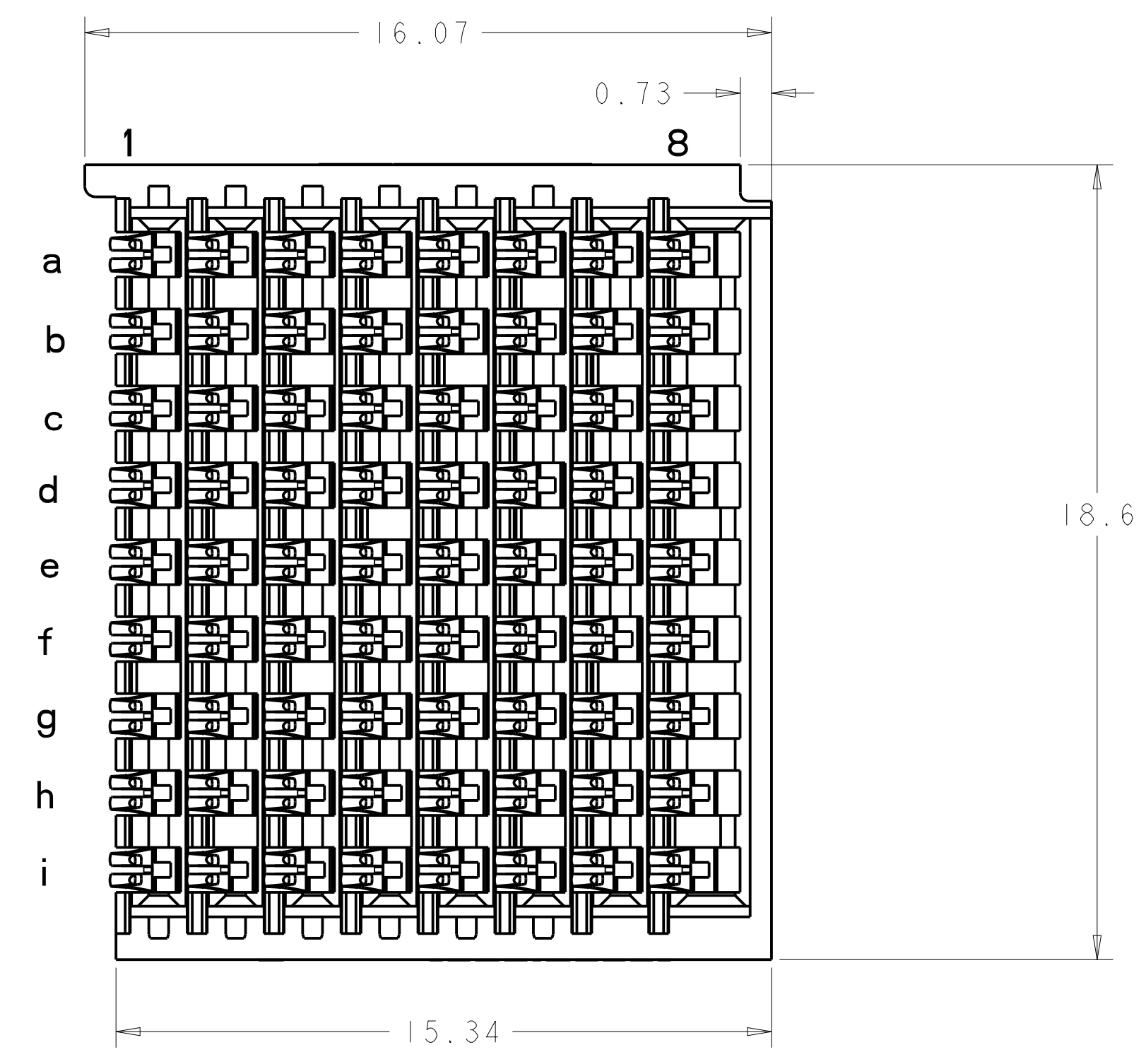
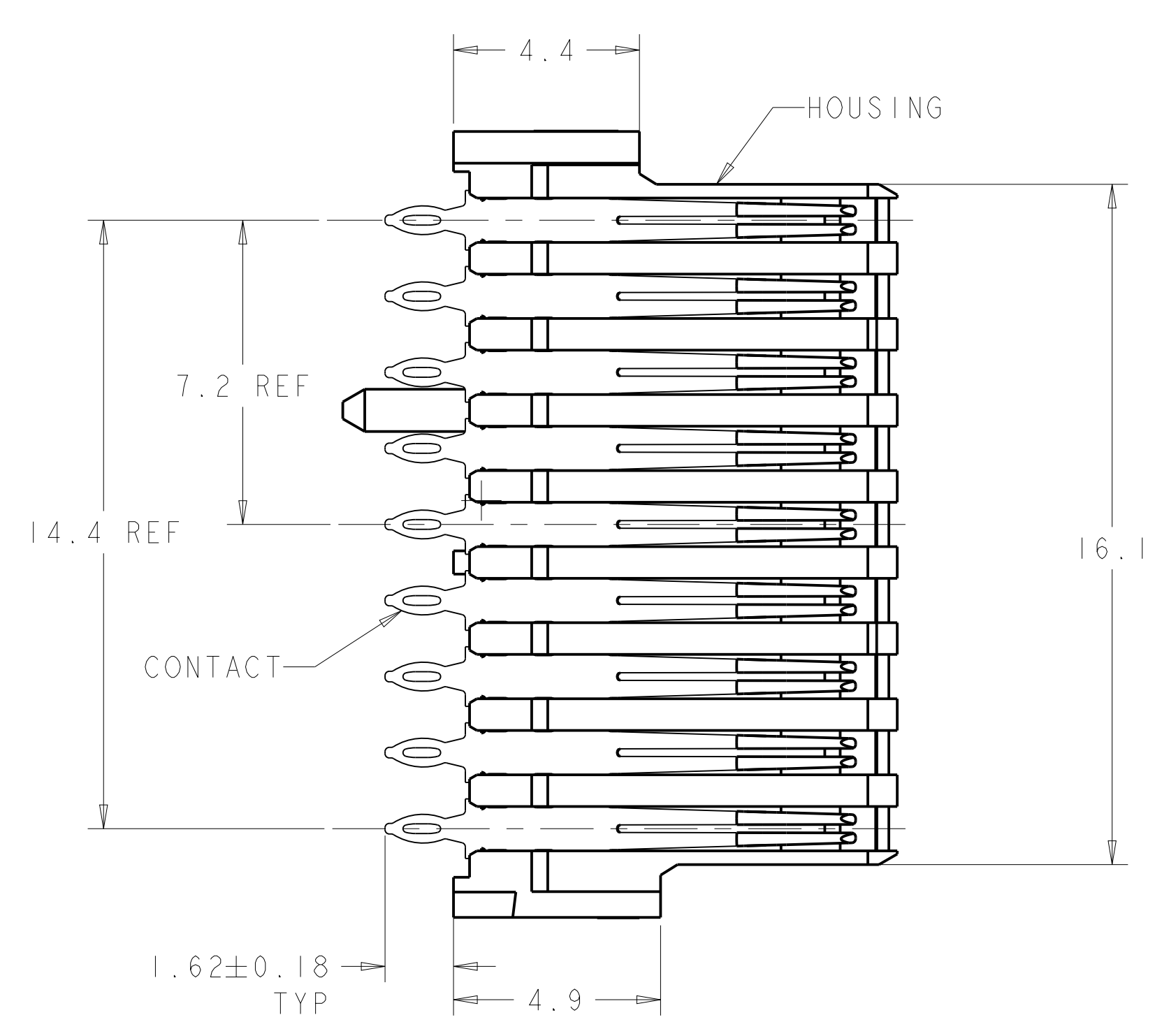
PC BOARD LAYOUT (CONNECTOR SIDE)
SEE SHEET 2 FOR RTM)
SCALE 5:1

3	1410186-2
2	1410186-1
PLATING	PART NO

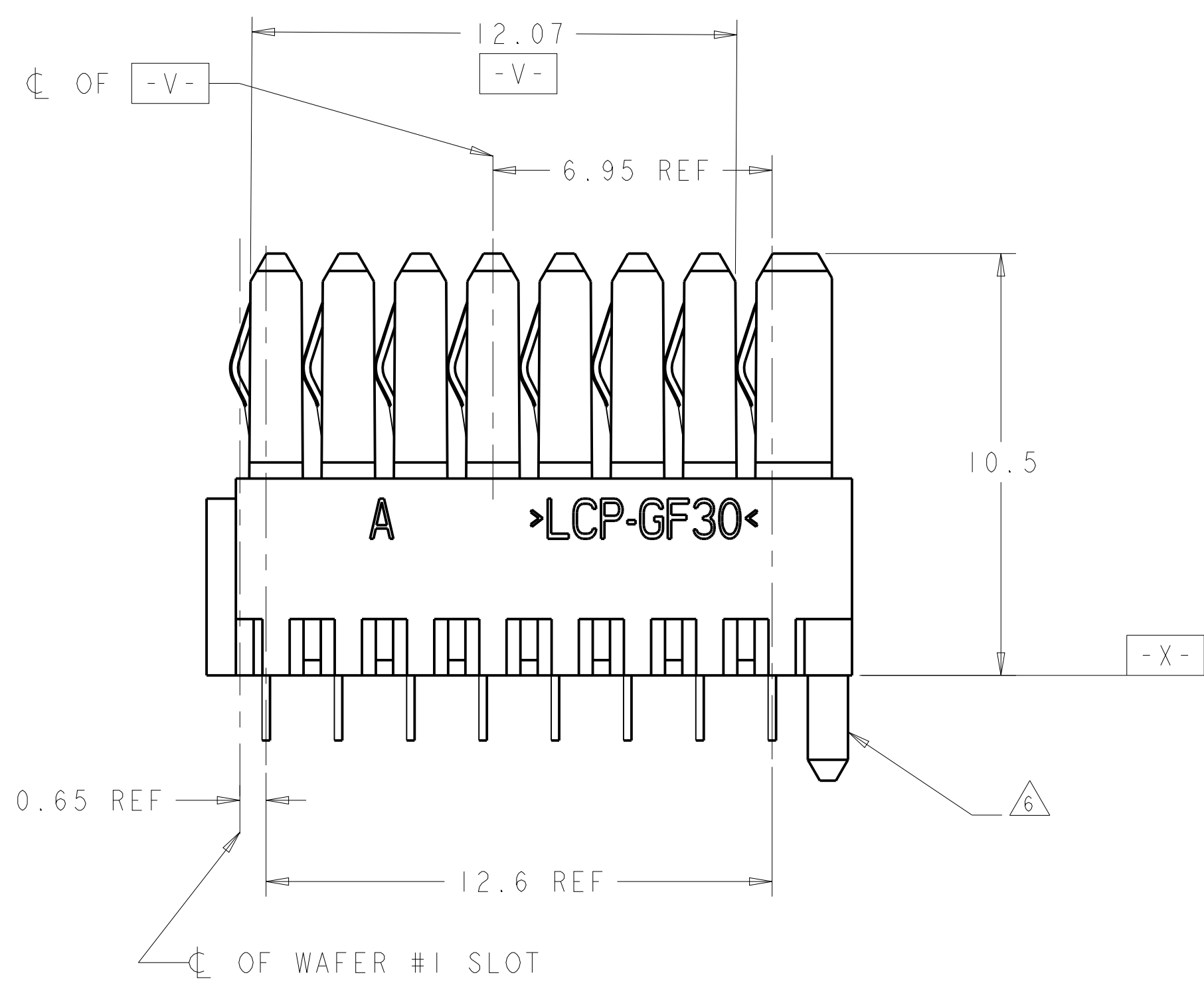
THIS DRAWING IS A CONTROLLED DOCUMENT.		DWN	30SEP2003	TE Connectivity
DIMENSIONS:		FILE	30SEP2003	
mm		CHK	J.CONSO1	
TOLERANCES UNLESS OTHERWISE SPECIFIED:		APVD	30SEP2003	
0 PLC	±	PRODUCT SPEC		
1 PLC	±0.5	108-2072		
2 PLC	±0.13	APPLICATION SPEC		
3 PLC	±	SIZE		
4 PLC	±	CAGE CODE		
ANGLES	±1°	DRAWING NO		
MATERIAL	FINISH	WEIGHT		
SEE TABLE		A100779C=1410186		
CUSTOMER DRAWING		SCALE 8:1		
		SHEET 1 OF 2		
		REV F		

LOC		DIST		REVISIONS			
GP	00	P	LTN	DESCRIPTION	DATE	DWN	APVD
		-		SEE SHEET 1			

REAR TRANSITION MODULE APPLICATION



RTM PC BOARD LAYOUT
 (CONNECTOR SIDE)
 SCALE 5:1



THIS DRAWING IS A CONTROLLED DOCUMENT.		DWN	30SEP2003		TE Connectivity
DIMENSIONS:		CHK	30SEP2003		NAME
mm	TOLERANCES UNLESS OTHERWISE SPECIFIED:	APVD	30SEP2003	CONNECTOR ASSEMBLY, BACKPLANE	
0 PLC ±	1 PLC ±0.5	PRODUCT SPEC	108-2072	VERTICAL RECEPTACLE, HALF, LEFT END,	
2 PLC ±0.13	3 PLC ±	APPLICATION SPEC	114-13056	20.3mm, MultiGig RT 2	
4 PLC ±	ANGLES ±1°	WEIGHT	A100779	CAGE CODE DRAWING NO	
MATERIAL	FINISH	CUSTOMER DRAWING	SCALE	SHEET	REV
SEE TABLE			8:1	2 OF 2	F