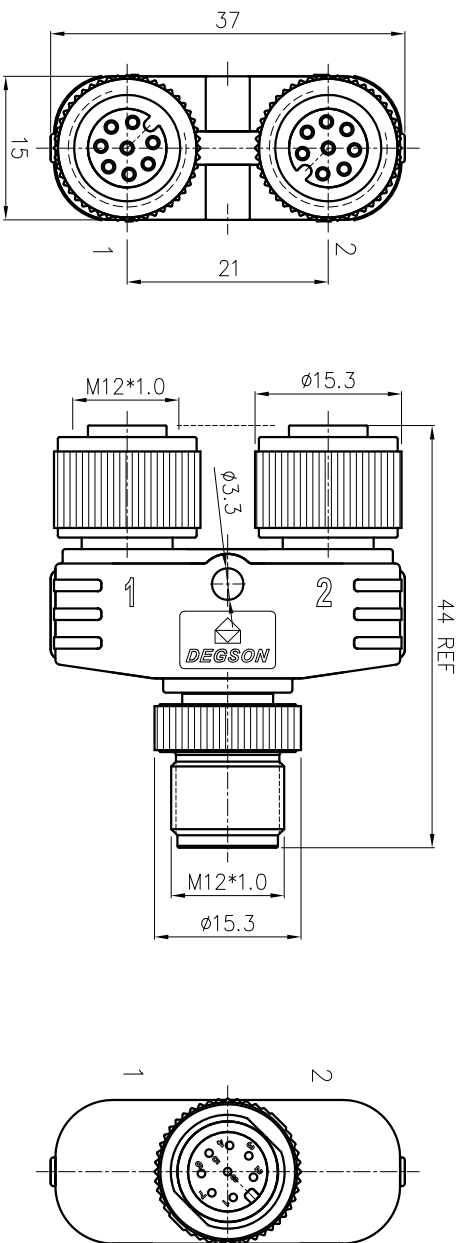
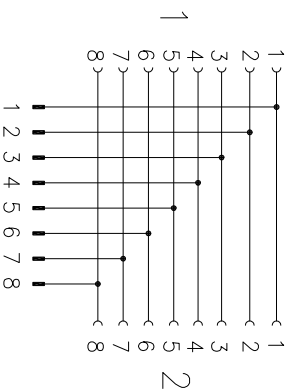


REVISION RECORD			
REV	ECN	DESCRIPTION	DRFT DATE



Circuit diagram:

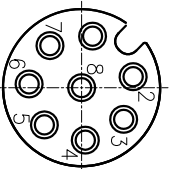


NOTES:

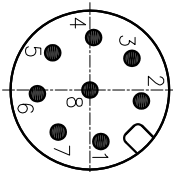
1. RoHS Compliance,
2. The Code direction is shown as diagram,
3. Housing material: PU (Color: black),
4. Contact body material: PU (Color: black),
5. Contact material: Copper alloy; (plating: gold)
6. O Ring material: Silicone; (Color: green)
7. Screw material: Zinc alloy (plating: Ni),

Technique parameter	
Rated voltage	30V
Rated current	2A
Insulation resistance	≥100MΩ
Withstanding voltage	800V AC
Operating temperature	-25°C~+85°C
Levels of protection	IP67
Cable OD	/

Female(Front view)



Male(Front view)



Dimensional tolerance (mm)

≤30	30	60	100	>150
±0.20	±0.30	±0.50	±0.70	±1.00

DETACHED LISTS

PART NO.:	FYM12A08MM12A08FT0100
APPD:	
CHKD:	
DRFT:	WYM 2019/04/09
THIRD ANGLE PROJECTION	

NAME:	NINGBO DEGSON ELECTRICAL CO., LTD
TITLE:	ASSEMBLY DRAWING
DRAWING NO.:	200000419
DO NOT SCALE DRAWING	
SCALE	1:1

宁波高松电子有限公司

NINGBO DEGSON ELECTRICAL CO., LTD

FY-M12A-08M-M12A-08F-T-0100

REV TO-1

SHEET 1/1

SCALE 1:1