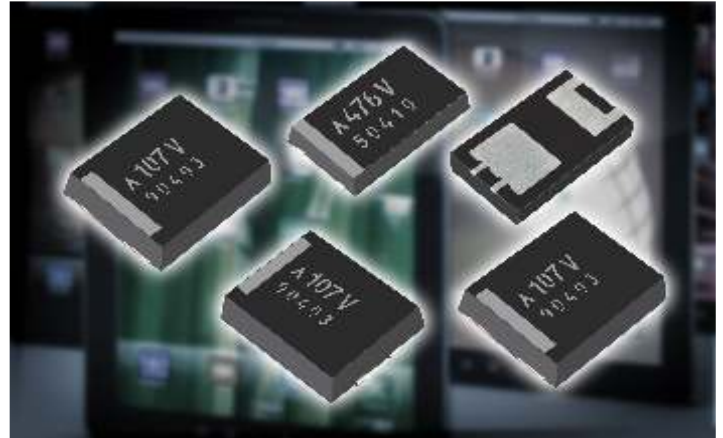


# Conductive Polymer Product - TCN Undertab Series

## PRODUCT SPECIFICATIONS :

Nominal Capacitance @ 120Hz	100 $\mu$ F
Capacitance Tolerance	M = $\pm$ 20%
Rated Voltage DC ( $V_R$ )	$\leq$ 105°C      35 V
Surge Voltage ( $V_S$ )	$\leq$ 105°C      46 V
Temperature Range	-55°C to +105°C
Direct Leakage Current max. @ $V_R$	350 $\mu$ A
Dissipation Factor max. @ 120Hz	10 %
ESR max. @ 100kHz	0.1 Ohm
Typical weight (4 case)	355 mg



LEAD-FREE  
LEAD-FREE COMPATIBLE  
COMPONENT

Moisture sensitivity level: meets MSL 3

Reflow specification: meets J-STD-020 standard

100% surge current tested

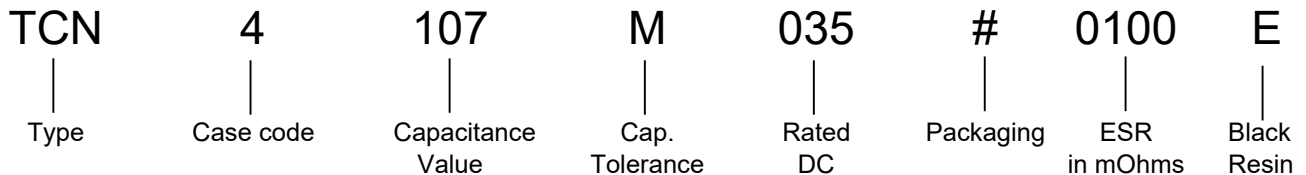
All technical data relates to an ambient temperature of +25°C, Capacitance is measured at 120Hz, 0.5RMS with DC bias of 2.2V. DCL is measured at rated voltage after 5 minutes

ESR allowed to move up to 1.25 times catalogue limit post mounting

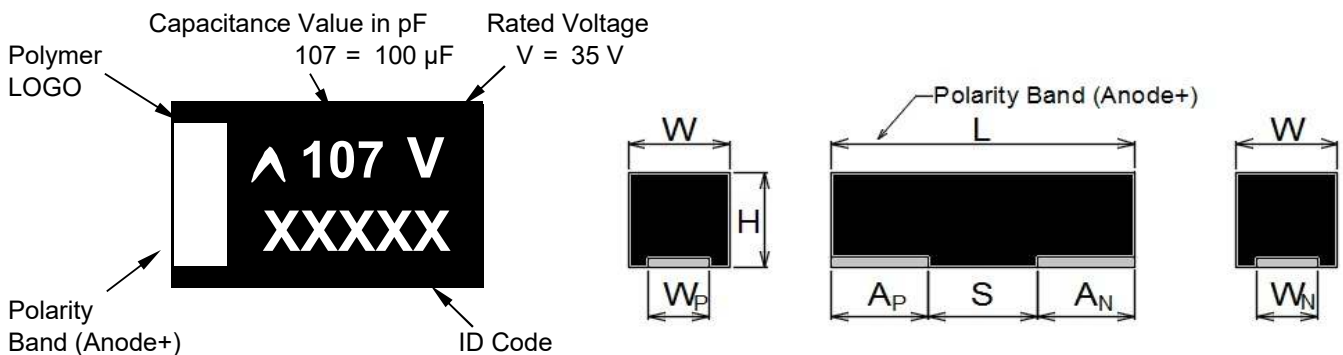
KYOCERA AVX reserves the rights to supply higher voltage rating in the same case size, to the same reliability standards

RMS value of Ripple Current (mA) @100kHz			RMS value of Ripple Voltage (mV) @100kHz		
45°C	85°C	105°C	45°C	85°C	105°C
1380	966	552	138	97	55

## HOW TO ORDER:



## DRAWING AND DIMENSIONS:



# Conductive Polymer Product - TCN Undertab Series

## CASE DIMENSIONS: millimetres

Case		L ±0.2	W +0.2 -0.1	H max.	Ap ±0.1	Wp ±0.1	An ±0.1	Wn ±0.1	S (min)
EIA	Size								
7361-20	4	7.3	6.1	2.0	2.0	4.75	3.2	4.75	2.1

## PACKAGING INFORMATION:

Reel Size (#)	R = 7" Reel Pure Tin Termination
Quantity	800
Tape Width	16 mm

Issued by: KYOCERA AVX Technical Marketing Team  
Tantalum Division

More details at: [www.kyocera-avx.com](http://www.kyocera-avx.com)

Version: 10/2021

**NORTH AMERICA**  
Tel: +1 864-967-2150

**CENTRAL AMERICA**  
Tel: +55 11-46881960

**EUROPE**  
Tel: +44 1276-697000

**ASIA**  
Tel: +65 6286-7555

**JAPAN**  
Tel: +81 740-321250

[WWW.KYOCERA-AVX.COM](http://WWW.KYOCERA-AVX.COM)



**NOTICE:** Specifications are subject to change without notice. Contact your nearest KYOCERA AVX Sales Office for the latest specifications. Specifications are typical and may not apply to all applications. All statements, information and data given herein are believed to be accurate and reliable, but are presented without guarantee, warranty, or responsibility of any kind, expressed or implied. Statements or suggestions concerning possible use of our product are made without responsibility or warranty that any such use is free of patent infringement and are not recommendations to infringe any patent. The user should not assume that all safety measures are indicated or that other measures are indicated or that measures may not be required. All samples are provided for testing purposes only. Provision of samples shall not constitute any offer of sale nor shall it constitute any commitment of any kind. Samples may not be incorporated in any product offered for commercial sale. Recipient assumes all risks and liability resulting from such testing. Samples are for the exclusive use of the direct recipient and shall not be sold, lent, given, or otherwise transferred to any other party. All unused samples shall be destroyed or returned to KYOCERA AVX.