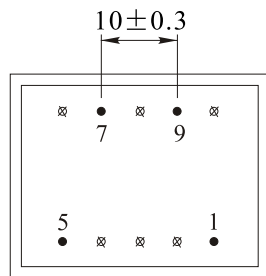
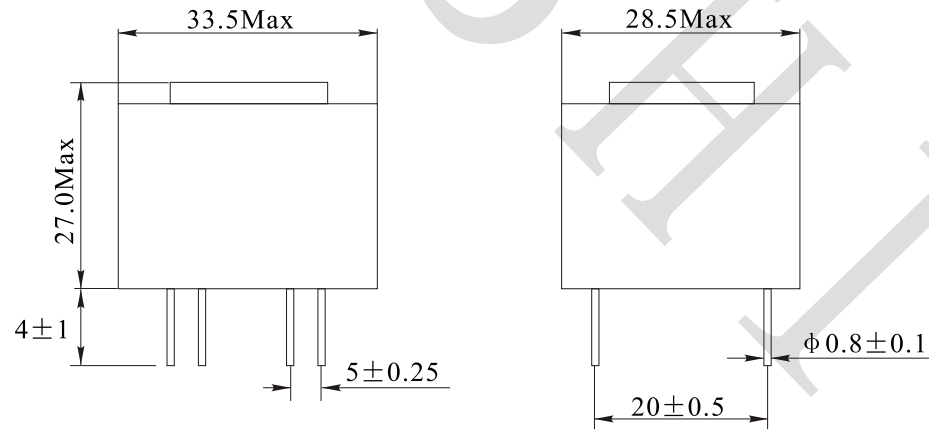


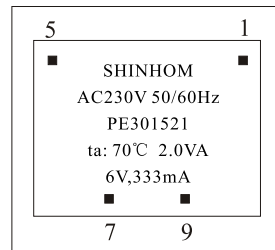
Rev.	Description	Date
A0	New release	2023.05.08

1. PHYSICAL CHARACTERISTICS (mm)

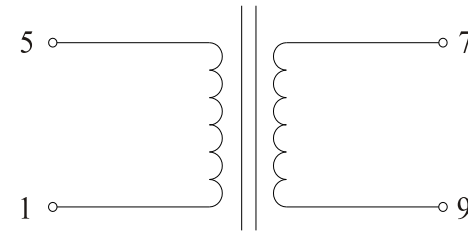


Bottom view

Top marking



2. ELECTRONICAL SCHEMATIC



3. ELECTRONICAL SPECIFICATIONS

Pri voltage: 230V,50Hz

Sec load voltage: 6.0V±0.5V@333mA

Noload voltage: 10.0V Ref

Output Power: 2.0VA

Hi-Pot: 4000V,50Hz,1mA,10S Pri to Sec

Note:

- Solderability: leads shall meet MIL-STD-202, Method 208D for solderability.
- Flammability: UL94V-0
- ASTM oxygen index: >28%

NOTES:

Temp 20°C 48%RH
RoHS Compliant

NAME:	Potting Transformer		
CUSTOMER P/N:		DATE:	2023-05-08
SHINHOM P/N:	PE301521	REV: A0	PAGE
DRAWN BY	CHECKED BY	APPROVE BY	



SHINHOM

SHAANXISHINHOM ENTERPRISE CO LTD

The Document property belong to SHINHOM & is not allowed to be duplicated without authorization