

## Data sheet

Commercial Art.No.: 97.051.5553.1

Device connector RST50I5S B1 ZM02V SW

RST50i5 device connector, 5 pole, female, screw connection, application 250V/400V, 50A, for opening diameter M32 or M40 with adaptor ring, with position fixation, coding color black



Commercial Art.No.	97.051.5553.1
EAN	4049088070570
Order Unit	1

Certificates / Approvals



## Technical data

### General

Rated current	50 A
Rated voltage	250 V / 400 V
Pollution degree	3
Rated impulse voltage	4 kV
Lockable	yes
Color of coding/ contact carrier	black
Marking of poles	1, 2, 3, N, PE
Color of separate adapter (if present)	black

### Connection Data

Connection cross section solid mm <sup>2</sup> max.	16 mm <sup>2</sup>
Connection cross section solid mm <sup>2</sup> min.	4 mm <sup>2</sup>
Connection cross section solid AWG min.	16 AWG
Connection cross section fine stranded mm <sup>2</sup> max.	16 mm <sup>2</sup>
Connection cross section fine stranded mm <sup>2</sup> min.	4 mm <sup>2</sup>
Connection cross section fine stranded AWG min.	16 AWG
Terminations per pole	1
Wire strip length	10 mm
Connection cross section stranded mm <sup>2</sup> min.	4 mm <sup>2</sup>
Connection cross section stranded mm <sup>2</sup> max.	16 mm <sup>2</sup>

### Model

Model	female
-------	--------

Connection type	screw connection
Connecting thread metric	M32
Angle of plug	straight
Degree of protection (IP)	IP66/67/69
Thickness of housings (electrical device) 2	2 mm
Thickness of housings (electrical device)	7 mm

#### Material

Housing material	Polyamide
halogen free	yes
Contact material	CuZn
Fire load	0.426 kWh
Insulation components continuous temperature	80 °C
Surface finish	Silver-plated

#### Dimensions

Length	65.7 mm
Width	65 mm
Height	65 mm

#### Classification

ECLASS 11	
ECLASS 8.1	27440602
ETIM 7.0	EC002566
ETIM 6.0	EC002566
ETIM 5.0	EC002566
ETIM 4.0	EC002566

#### Note

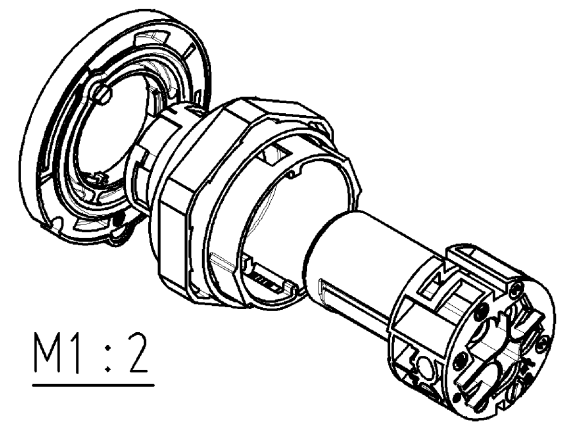
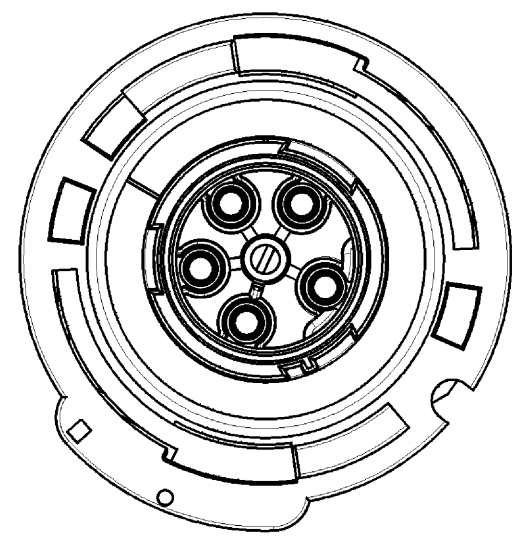
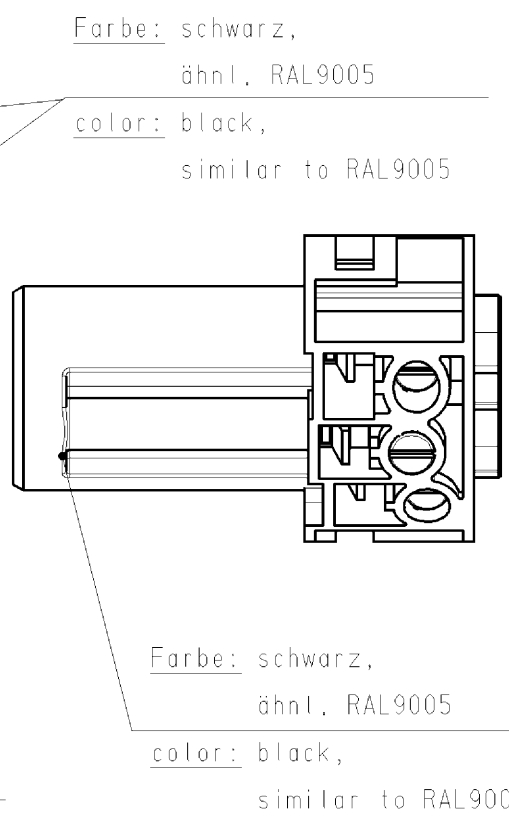
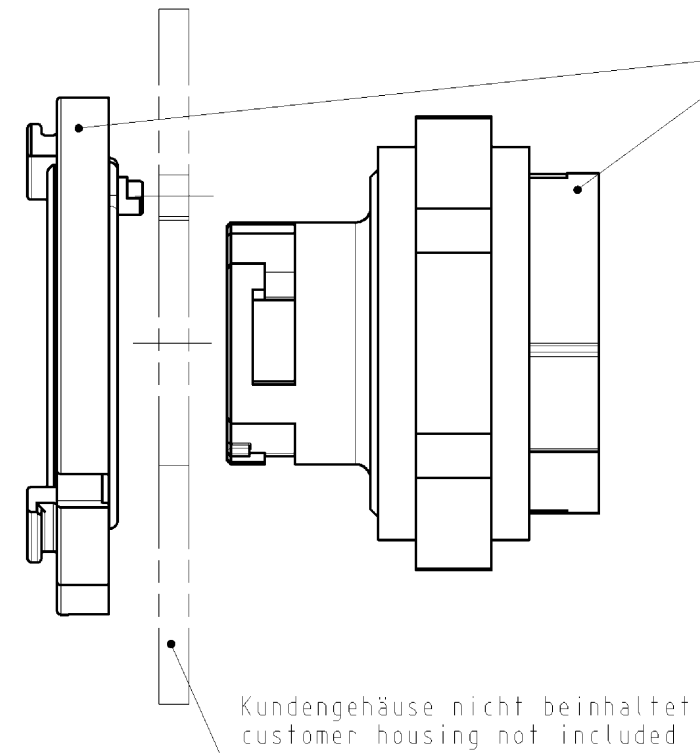
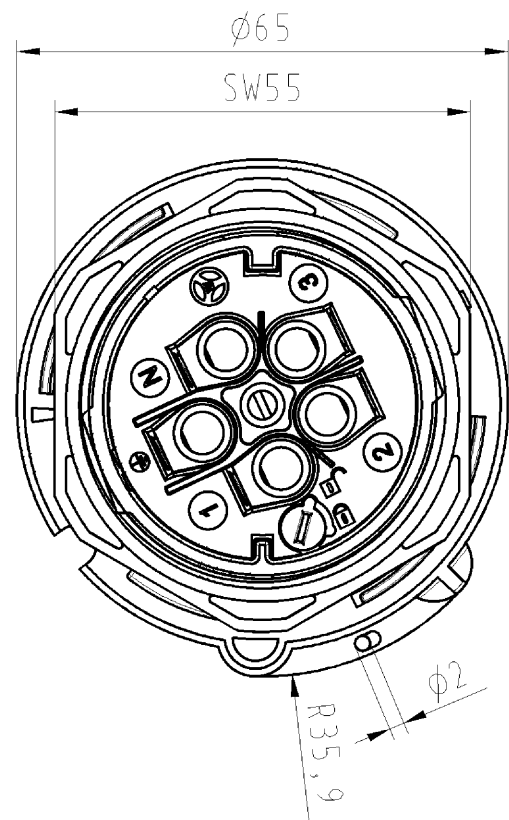
Note	fine-stranded and stranded wires have to be used without ferrules
------	---

#### Product compliance

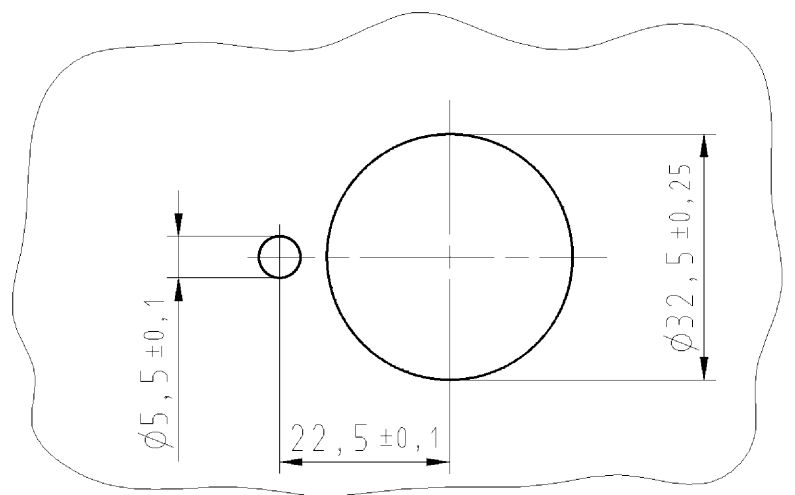
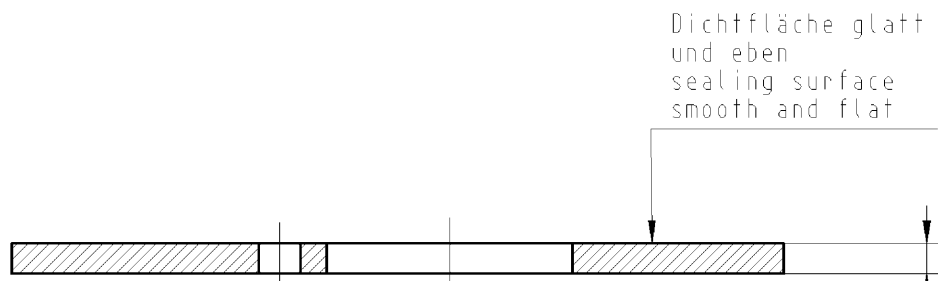
ROHS conformity status	Compliant/Exempted
ROHS exceptions	III-6(c)
REACH-SVHC conformity status	Duty-To-Declare
REACH-SVHC substances	Lead
REACH-SVHC CAS numbers	7439-92-1

#### Fits with

Commercial Art.No.:	Article-type description:	Description:
97.052.4053.1	Connector RST50I5S S1 ZR5 S SW	RST50i5 connector, 5 pole, male, screw connection, application 250/400V with PE, 50A, for cable diameters 15-25mm, coding color black, color of housing black
97.052.4253.1	Connector RST50I5S S1 ZR7 S SW	RST50i5 connector, 5 pole, male, screw connection, application 250/400V with PE, 50A, for cable diameters 20-32mm, coding color black, color of housing black



**Gehäuseausschnitt**  
**cutout**



max. 7  
min. 2  
Auf Parallelität achten.  
Nicht-Parallelität vor Montage ausgleichen.  
Pay attention to parallelism, Non-parallelism  
must be equalized before installation.

50 A/250 V/400 V/4 kV/2  
IP66/67

Anschlussart: Schraub  
Anschlussquerschnitt: (ein-/ mehr-/ feindrähtig): 4\*-16 mm<sup>2</sup>  
connection type: screw  
cross section: (solid/ stranded/ flexible): 4\*-16 mm<sup>2</sup>

\* Leiter 4 mm<sup>2</sup> flexibel nur in Verbindung mit Aderendhülsen.  
Conductor flexible 4 mm<sup>2</sup> only by using of end sleeves.

Type: RST50i5S B1 ZM02V SW

Verpackungseinheit: je 20 Stück  
packaging unit: per 20

Tolerierung nach DIN 7167/Tolerance system acc. to DIN 7167. (This DIN-standard describes the envelope principle. According to the envelope principle the deviations of form and parallelism are limited by the size tolerances).		ja/yes <input checked="" type="checkbox"/> Stoffverbots- und Deklarationsliste nach UU-TOM-05/03 ist einzuhalten. Conformity with Wieland document UU-TOM-05/03 (list of prohibited / declarable hazardous substances) to be declared!	
Freitoleranz nach General tolerance		CAD - Zeichnung, keine manuellen Änderungen CAD - drawing, no manual modifications allowed	
1. Verwendung: First Use:		Blatt: 1 von 1 Sheet: of 1	
Werkstoff/Material		Zeichnung Nr./Drawing No.	
2011 gezeichnet drawn 03.05. geprüft checked - Normgepr. Stand. check		Name Brotkorb	
Maßstab/Scale 1:1		Index	
Vol. mm <sup>3</sup> Ofl./Surf. mm <sup>2</sup>		Ersatz für/Replacement for: -	
wieland		Type	
Benennung/Titel GERAETEANSCHLUSS_BU_KOMPLETT		Maße in mm/Dimensions are in mm	
Index Datum / Blatt Date / Sheet		97.051.5553.1 01K	
Änderung/Revision		Electric Verbindungen	

These dimensions will be especially checked at delivery  
Only inspection dimensions  
With /E marked dimensions are only valid for internal use

Diese Maße werden bei Abnahme besonders geprüft  
Ausschließlich Prüfmaße  
Mit /E gekennzeichnete Maße sind nur für interne Zwecke gültig

Weitergabe sowie Vervielfältigung dieses Dokuments, Verwertung und Mitteilung seines Inhalts sind verboten, soweit nicht ausdrücklich gestattet.  
The reproduction, distribution and utilization of this document as well as the communication of its contents to others without express authorization is prohibited.