

Power Rocker Switches / ILLUMINATED



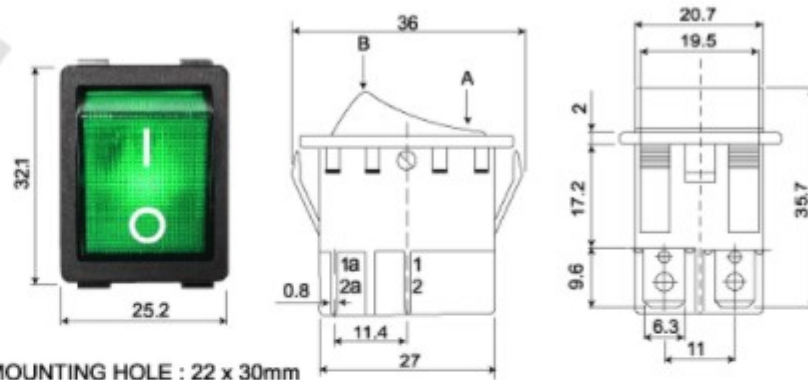
R5 series



Standard:
16A 250V AC
20A 125V AC

High Rating:
R519, R599
25A 250V AC

MODEL NO.	TYPE
R515	DPST ON OFF
R519	DPST ON OFF (25A 250V DC)
R525	DPDT ON ON
R535	DPDT ON OFF ON
R545	DPDT ON (ON)
R555	DPST OFF (ON)
R565	DPDT (ON) OFF (ON)
R575	DPST ON (OFF)
R585	DPDT ON OFF (ON)
R595	DPST Illuminated
R599	DPST Illuminated (25A 250V DC)



HOW TO ORDER

MODEL NO.	+	HOUSING COLOR	+	ROCKER COLOR	or	LAMP COLOR	+	MARKING	+	TERMINAL TYPE	+	LAMP VOLTAGE	+	LAMP COLOR
		B : BLACK W : WHITE G : GRAY		B : BLACK W : WHITE G : GRAY R : RED Y : YELLOW GN : GREEN		R : RED Y : YELLOW GN : GREEN		O A B C D E F G H		T S		□ : NO LAMP 1 : 125V AC 2 : 250V AC 3 : 12V DC 4 : 24V DC		※ For R495□□□□□□□□ Dot Illuminated only R : RED Y : YELLOW GN : GREEN