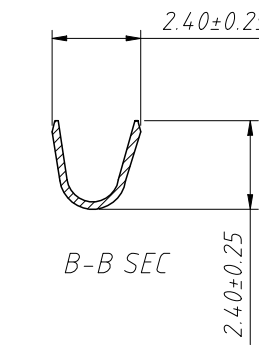
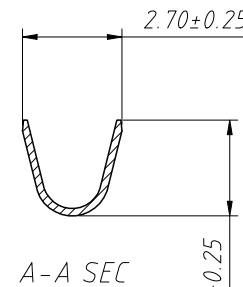
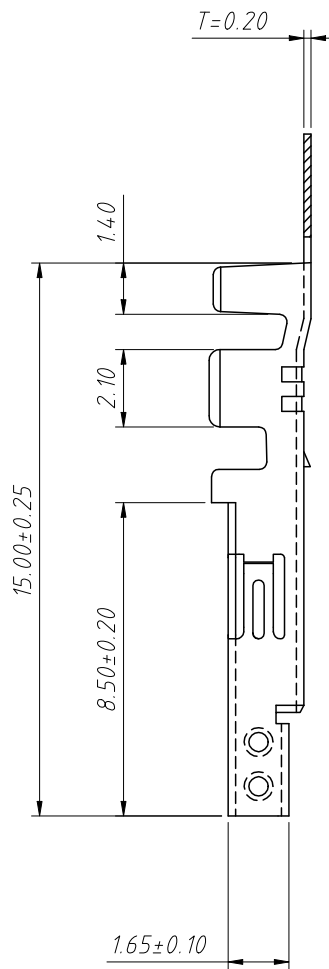
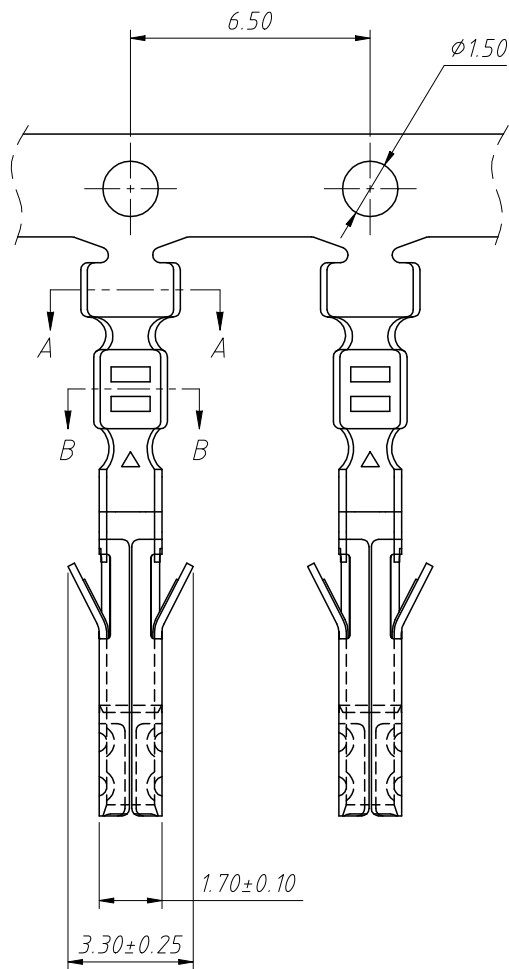


RoHS Compliance



Material:
 Terminal: Brass or Phosphor Beccorded
 Finish: Tin Plated
 Applicable wire: AWG#20-#24
 Electrical Characteristics:
 Rated Current: 7.0A AC,DC
 Voltage rating: 600V AC,DC
 Temperature range: $-25^{\circ}\text{C} \sim +85^{\circ}\text{C}$
 Insulator Resistance: $1000\text{M}\Omega$ Min
 Withstanding Voltage: 1500V AC/minute
 Contact Resistance: $20\text{m}\Omega$ Max

Order Information:

L-KLS1-4.20-FT

L: RoHS

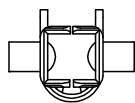
Pitch: 4.20mm

Type:

MH / FH -Hosing

MT / FT -Terminal

W1-Without ear



| ANGLE TOLERANCE | PROJECTION | Description: |
|-------------------|------------|--|
| $\pm 3^{\circ}$ | | 4.20mm Pitch Mini-Fit JR 5556 5557 5559 5566 5569 Wire To Board Connector |
| GENERAL TOLERANCE | UNITS | mm |
| x.x ± 0.30 | SHEET SIZE | A4 |
| x.xx ± 0.20 | Draw: | Daniel 2021-01-11 |
| x.xxx ± 0.10 | Check: | Daniel 2021-01-11 |
| | | KLS electronics |
| | | NingBo KLS ELECTRONIC CO.,LTD. |