

THIS DRAWING IS UNPUBLISHED.

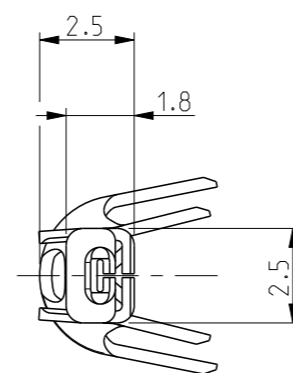
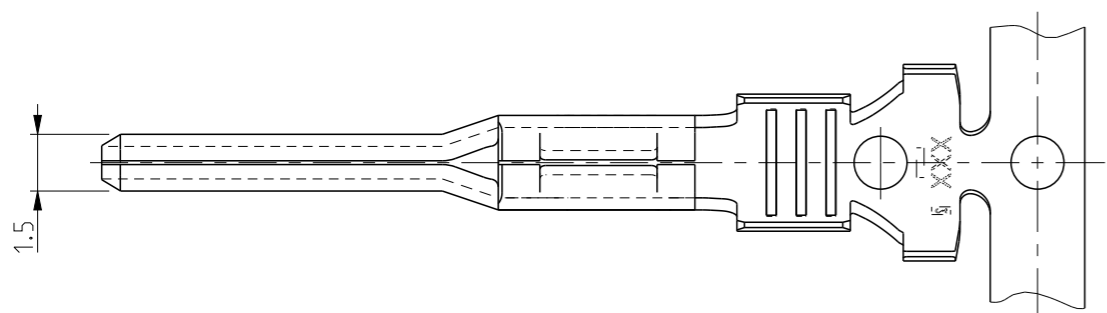
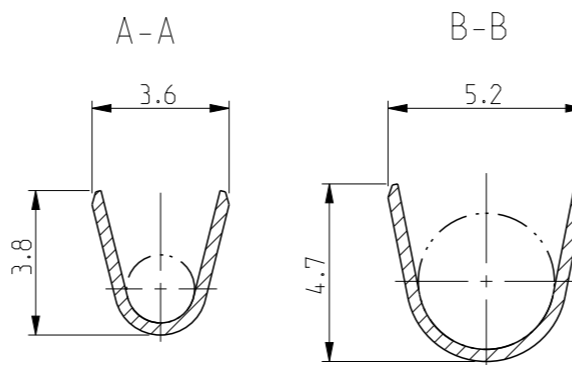
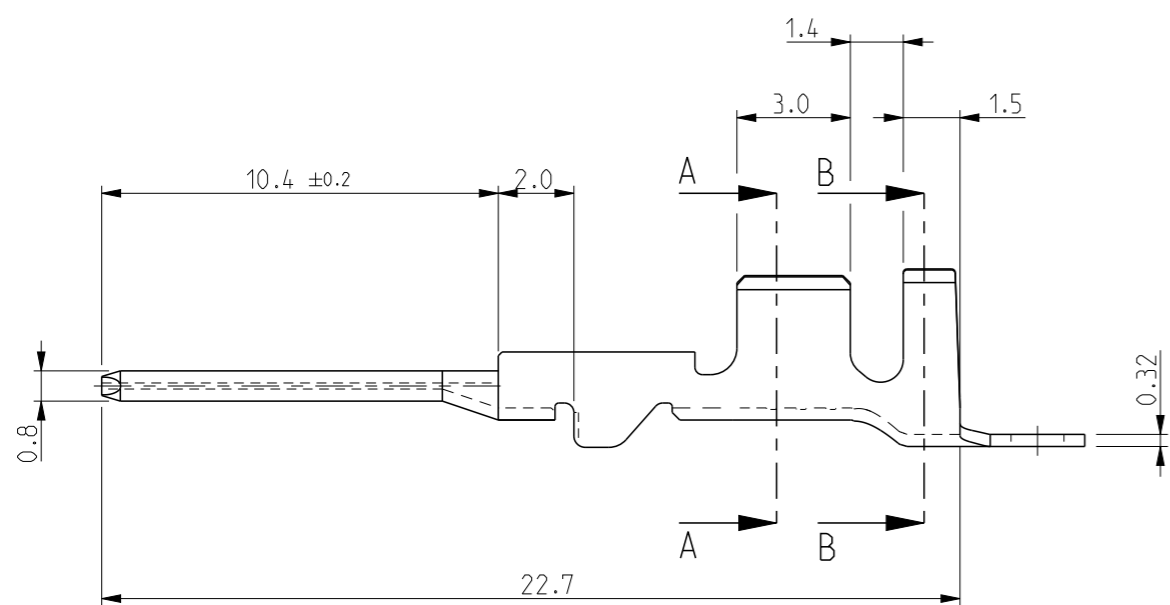
RELEASED FOR PUBLICATION

© COPYRIGHT copyright_date BY -

ALL RIGHTS RESERVED.

REVISIONS

P	LTR	DESCRIPTION	DATE	DWN	APVD
	A2	REDRAWN TO CREO	19APR2017	JJH	JP



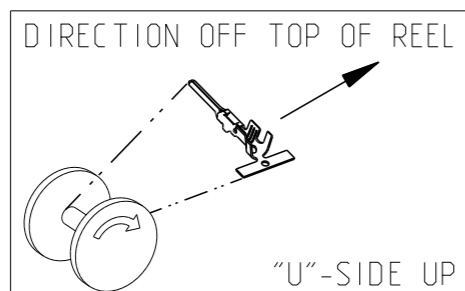
1. DELIVERY STATE: WRAPPED UP ROLL WITH STEP BETWEEN TERMINALS = 11.9 ± 0.2 mm
 STATO DI FORNITURA: AVVOLTI SU BOBINA CON PASSO TRA TERMINALI DI = 11.9 ± 0.2 mm

2. SUITABLE FOR SINGLE WIRE SEAL TE PN 281934
 ADDETTO PER GOMMINO TE 281934

3. MAX. CURRENT CAPACITY: 14A

CUSTOMER DRAWING FOR INFORMATION ONLY
 DISEGNO PER CLIENTE SOLO PER RIFERIMENTO

PRE-TIN (PRE-STAGNATO)	BRASS (OTTONE)	282465-1
FINISH/COLOUR (FINITURE/COLORE)	MATERIAL (MATERIALE)	PART NUMBER



INS. DIA. RANGE (DIAM. ISOLANTE)	WIRE RANGE (RANGO FILO)
$\triangle 2$	1.5-2.5mm ²

THIS DRAWING IS A CONTROLLED DOCUMENT.	
DIMENSIONS: mm	TOLERANCES UNLESS OTHERWISE SPECIFIED:
	0 PLC ± 0.3 1 PLC \pm 2 PLC \pm 3 PLC \pm 4 PLC \pm ANGLES $\pm 2^\circ$ FINISH
MATERIAL	

DWN	BERTINI	12DEC1992
CHK	A. BRUNI	12DEC1992
APVD	-	-
PRODUCT SPEC	-	-
APPLICATION SPEC	114-20045	-
WEIGHT	-	-
CUSTOMER DRAWING		

		TE Connectivity	
		NAME MINI MIC RS TAB CONTACT	
SIZE	CAGE CODE	DRAWING NO	RESTRICTED TO
A3	-	C=282465	-
SCALE		SHEET	REV
5:1		1 OF 1	A2