

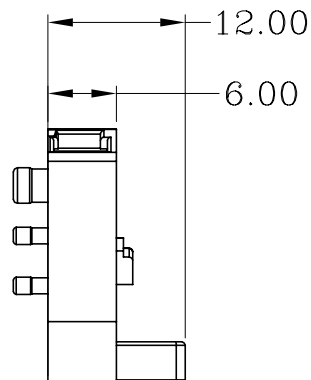
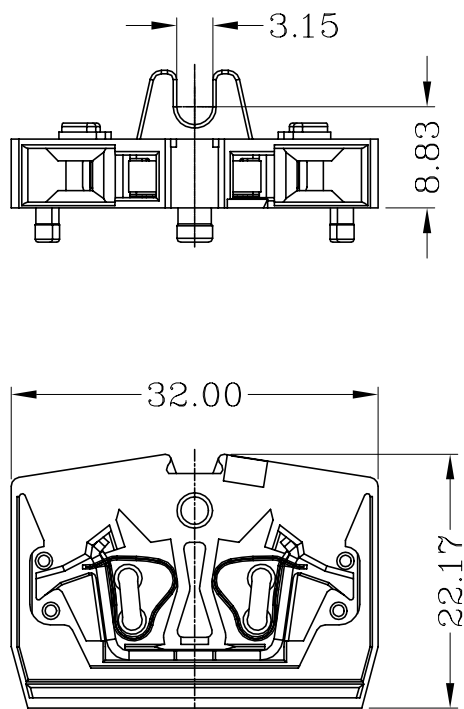


宁波速普电子有限公司

NINGBO SUPU ELECTRONICS.CO.,LTD

产品规格书

Product Specification



IEC 额定数据/IEC Rated data				
接线范围/Wire range	0.2-2.5mm ²			
单股导线/Solid	0.2-2.5mm ²			
软导线/Stranded	0.2-2.5mm ²			
带端头软导线/Stranded with ferrules without plastic sleeve	0.2-1.5mm ²			
带预绝缘端头软导线/Stranded with ferrules with plastic sleeve	0.2-1.5mm ²			
剥线长度/Strip length	8-9mm			
额定电压/Rated voltage	800V			
额定电流/Rated current	24A			
额定脉冲耐受电压/Rated surge voltage	8KV			
污染等级/Pollution degree	3			
过电压类别/Surge voltage category	III			
UL 额定数据/UL Rated data		B	C	D
额定电流/Rated current	20A	20A	—	
额定电压/Rated voltage	600V	600V	—	
接线范围/Wire range	28-12AWG			
其他信息/Other information				
塑件/Housing	PA66			
触点材料/Contact	铜合金/Copper alloy			
镀层/Coating	锡/Tin Plated			
阻燃等级/Flame retardant rating	UL94-V0			
使用环境温度/Usage ambient temperture	-40℃ - +105℃			
认证/Approval				

订货信息 Order Info

订货号	颜色	未标注公差参照GB/T14486														
PART NUMBER	COLOR	基本尺寸	0-3	>3-6	>6-10	>10-14	>14-18	>18-24	>24-30	>30-40	>40-50	>50-65	>65-80	>80-100	>100-120	>120-140
254301	灰色 Gray	公差	±0.08	±0.09	±0.10	±0.12	±0.14	±0.16	±0.18	±0.21	±0.24	±0.28	±0.32	±0.36	±0.41	±0.46

Rev.	Name
01	254301系列带固定器正面接线端子 254301 series through terminal blocks with fixing flanges of front-entry