

Data sheet

Commercial Art.No.: 05.502.4000.0

screwdriver DIN5264 B 0,6X3,5 MW

Screw driver according to DIN 5264 B, blade: 0.6x3.5 mm, short and angeled version



Commercial Art.No.	05.502.4000.0
EAN	4015573677692
Order Unit	10

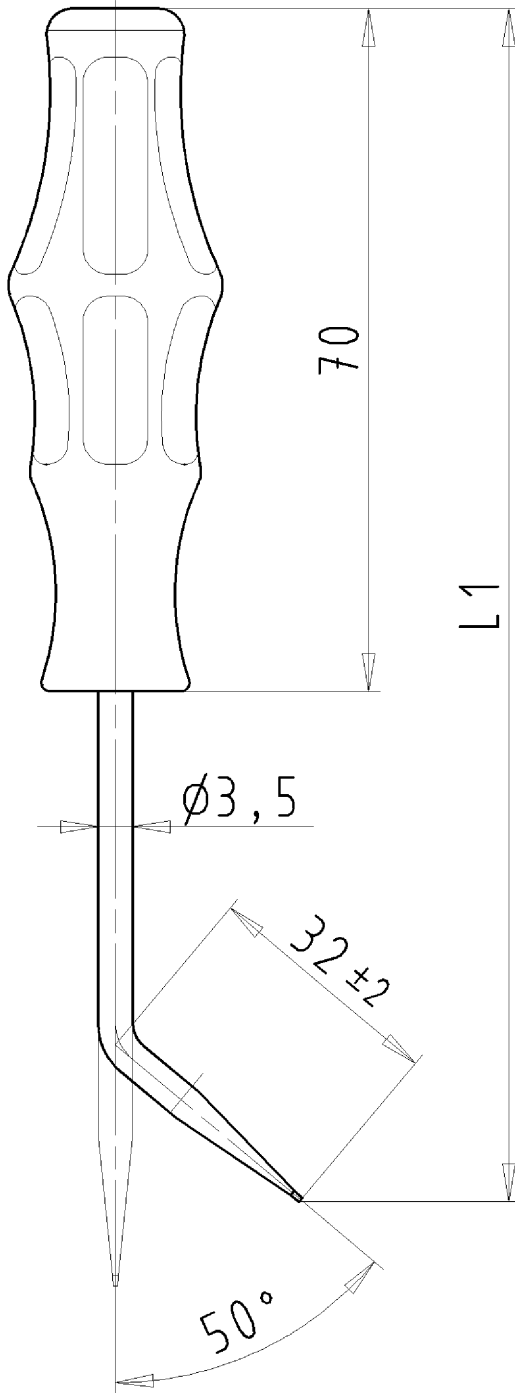
Technical data

Classification

ECLASS 11	
ECLASS 8.1	21040407
ETIM 7.0	EC000158
ETIM 6.0	EC000158
ETIM 5.0	EC000158
ETIM 4.0	Ec000158
ETIM 3.0	EC000158

Product compliance

REACH-SVHC conformity status	Compliant
------------------------------	-----------



SCHRAUBENDREHER
05.502.4000.0 10W
29.06.2009 HOF
M1:1