

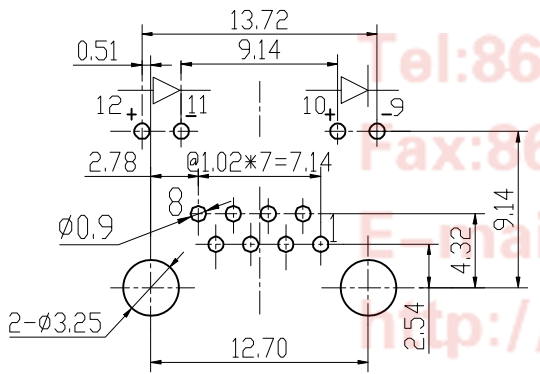
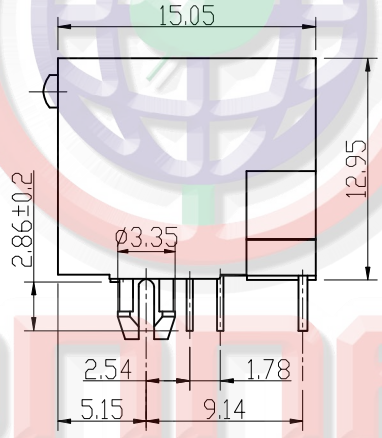
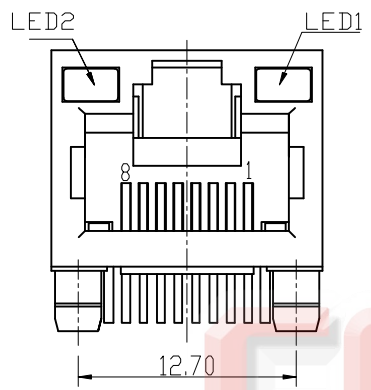
REV.	DESCRIPTION	DRAWN	CHECKED	APPROVED
A	NEW RELEASE	JLZ 05/11/17'	~	

NOTES:

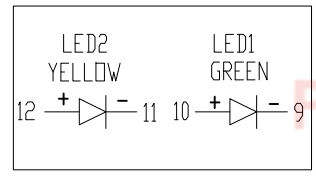
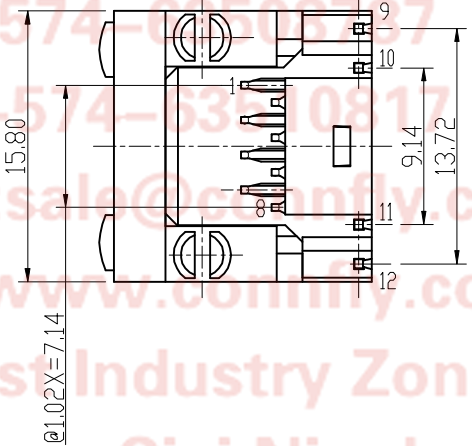
- ELECTRICAL CHARACTERISTICS:
 - CONTACT RESISTANCE: 50mΩ Max.
 - DIELECTRIC WITHSTANDING VOLTAGE: 500V AC(rms) FOR 1 MINUTE.
 - INSULATION RESISTANCE: 1000MΩ Min.
 - CURRENT RATING:1.5A.
 - VOLTAGE RATING:125V AC RMS.
- ENVIRONMENT CHARACTERISTICS:
 - TEMPERATURE: -40°C~+85°C.
- MATERIALS
 - CONTACT: COPPER ALLOY,GOLD FLASH.
 - INSULATOR MATERIALS: PBT,BLACK.
- PRODUCT NUMBER CODE:

DS1128-13-X X X X X

- LED Type
A:LED1 Green/LED2 Yellow
- Contact Plating
8:Gold Flash
- Housing Color
B:Black
- No.Of Contacts
8:8p8c
- Connector Type
S:Socket



PCB LAYOUT COMPONENT SIDE
TOLERANCES ±0.05 Thickness=1.6mm



GENERAL TOLERANCE		ANGLE TOLERANCE	
X.	±0.60	X.	±5°
.X	±0.38	.X	±3°
.XX	±0.25	.XX	±2°

DRAWING TYPE	CUSTOMER		
SCALE	1:1	SHEET	1 OF 1
DRAWING NO.	C-DS1128-13-XXXXX-A		

PROJECTION	TITLE
mm	PCB JACK 8P 1PORT W/ LED&W/O Shell L15.05mm Type
SHEET SIZE	SERIES
A4	DS1128-13 SERIES

晨翔电子有限公司
CONNFLY CONNLY ELECTRONIC CO. LTD

CONNFLY
Tel:86-574-01500797
Fax:86-574-53510817
E-mail:sale@connfly.com
http://www.connfly.com
Add:East Industry Zone KuangYan
Town Cixi Ningbo China
P.C:315333