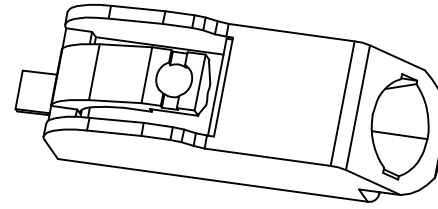
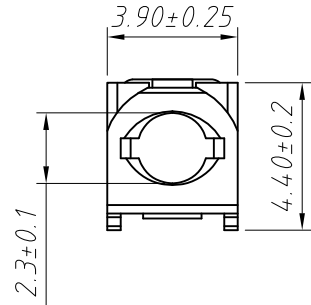
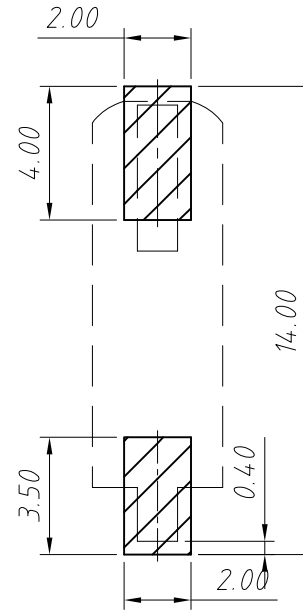
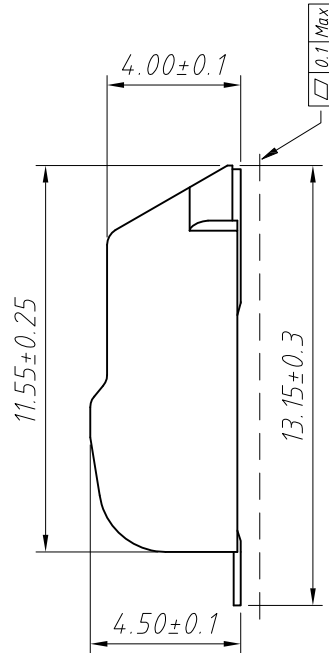
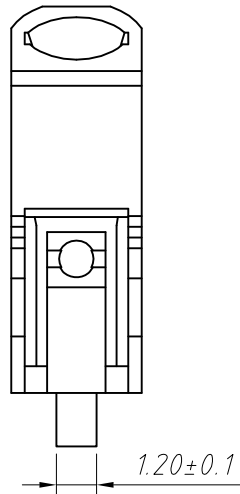


1 RoHS Compliant



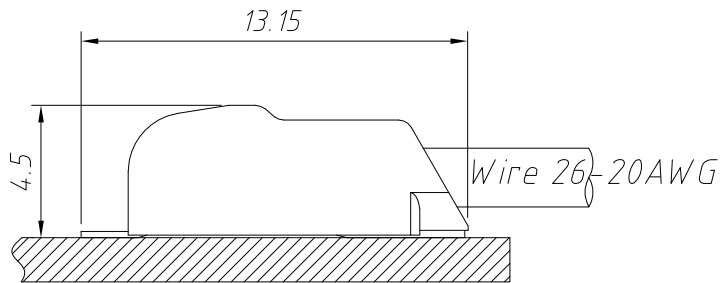
MATERIAL  
 Insulator:LCP,UL94V-0,Beige  
 Contacts:Phosphor Bronze,Tin-plated

Main Specifications  
 Poles:01P  
 Contact Resistance: $\leq 20m\Omega$   
 Insulation Resistance: $\geq 800M\Omega$   
 Rated Voltage:250V AC DC  
 Rated Current:6.0A AC DC  
 Withstanding Voltage:800V AC/minute  
 Temperature Range:  $-25^{\circ}C \sim +105^{\circ}C$



Order Information  
 L-KLS2-L13-01P  
 ————— Number of Poles  
 ————— Series No.  
 ————— RoHS

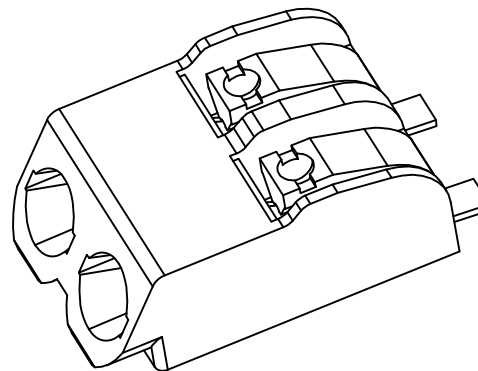
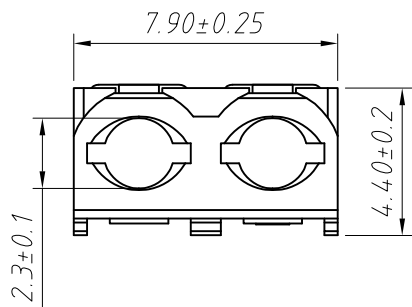
Board Layout



Installation drawing

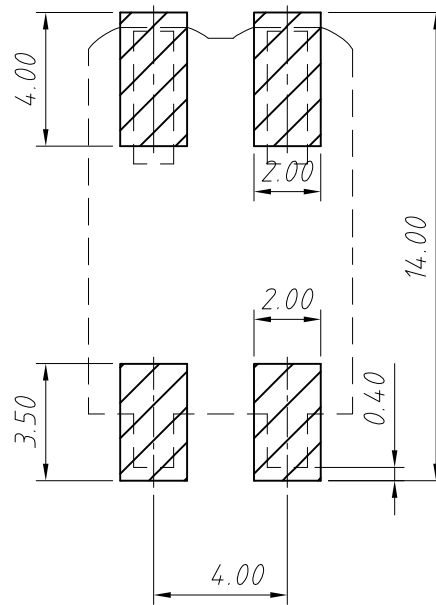
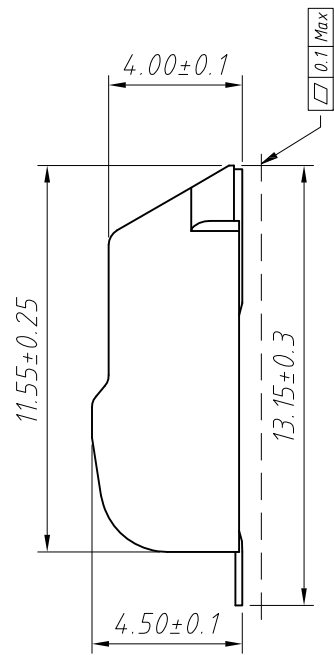
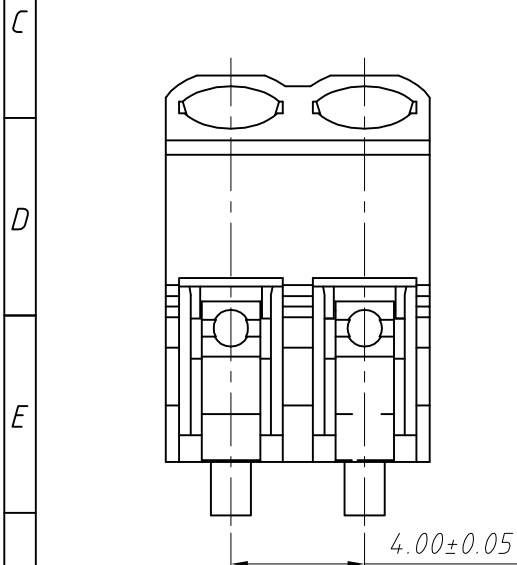
GENERAL TOLERANCE		ANGLE TOLERANCE		PROJECTION	Description:
X	$\pm 0.15$	X	$\pm 5^{\circ}$	UNITS	mm
.X	$\pm 0.03$	.X	$\pm 3^{\circ}$	SHEET SIZE	A4
.XX	$\pm 0.05$	.XX	$\pm 2^{\circ}$	KLS P/N:	L-KLS2-L13-01P
Draw by:	Jenny	Date:	2018-03-10	NingBo KLS ELECTRONIC CO.,L TD.	
Check by:		Date:	2018-03-10		
SCALE		SHEET	1 OF 1		

RoHS Compliant



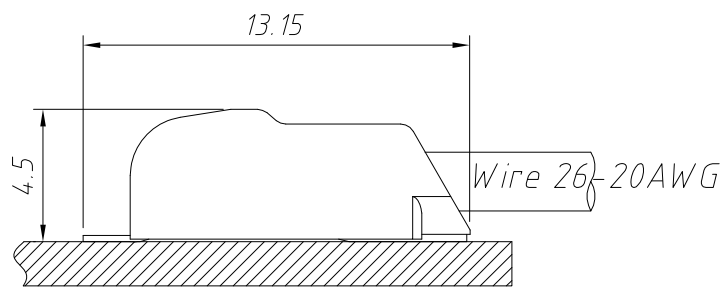
**MATERIAL**  
 Insulator:LCP,UL94V-0,Beige  
 Contacts:Phosphor Bronze,Tin-plated

**Main Specifications**  
 Poles:02P  
 Contact Resistance: $\leq 20m\Omega$   
 Insulation Resistance: $\geq 800M\Omega$   
 Rated Voltage:250V AC DC  
 Rated Current:6.0A AC DC  
 Withstanding Voltage:800V AC/minute  
 Temperature Range:  $-25^{\circ}C \sim +105^{\circ}C$



**Order Information**  
 L-KLS2-L13-02P  
 └───┬───┬───  
 Series No. Number of Poles RoHS

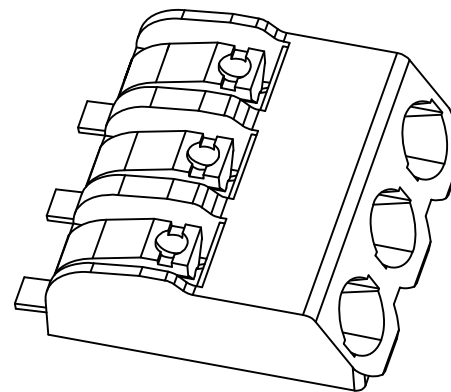
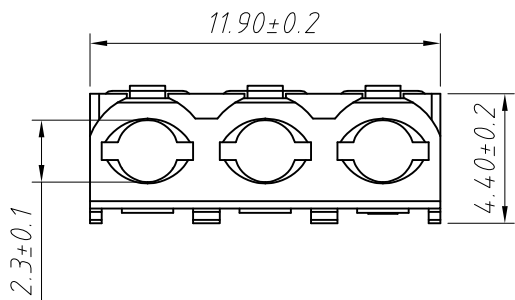
Board Layout



Installation drawing

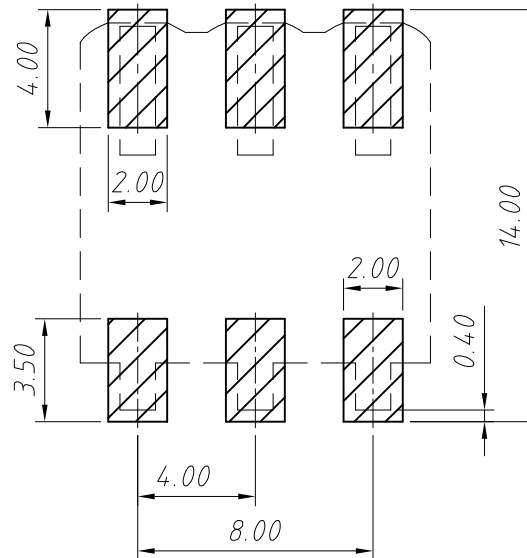
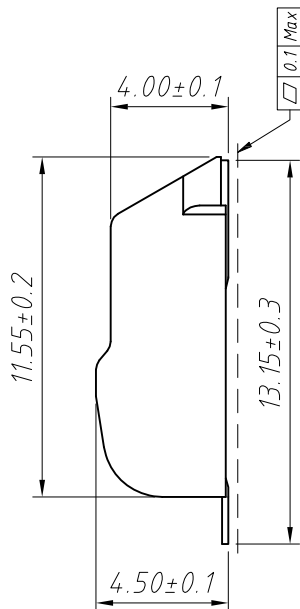
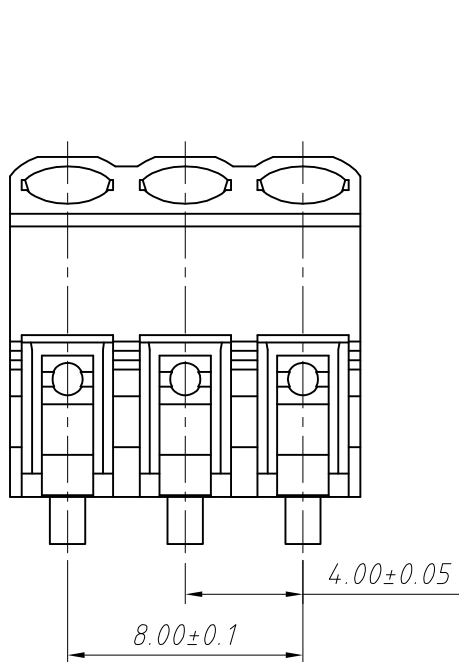
GENERAL TOLERANCE		ANGLE TOLERANCE		PROJECTION	Description:
X	$\pm 0.15$	X	$\pm 5^{\circ}$	UNITS	mm
.X	$\pm 0.03$	.X	$\pm 3^{\circ}$	SHEET SIZE	A4
.XX	$\pm 0.05$	.XX	$\pm 2^{\circ}$	KLS P/N:	L-KLS2-L13-02P
Draw by:	Jenny	Date:	2018-03-10	NingBo KLS ELECTRONIC CO.,L TD.	
Check by:		Date:	2018-03-10		
SCALE		SHEET	1 OF 1		

1 RoHS Compliant



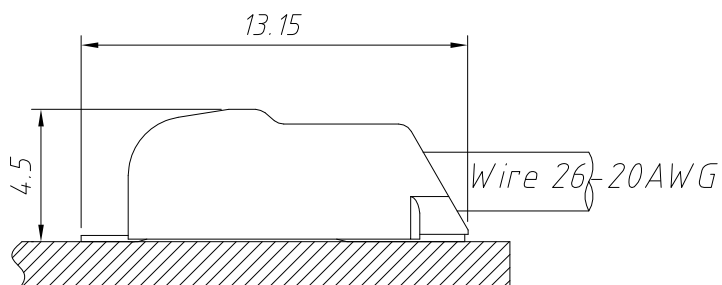
MATERIAL  
 Insulator:LCP,UL94V-0,Beige  
 Contacts:Phosphor Bronze,Tin-plated

Main Specifications  
 Poles:03P  
 Contact Resistance: $\leq 20m\Omega$   
 Insulation Resistance: $\geq 800M\Omega$   
 Rated Voltage:250V AC DC  
 Rated Current:6.0A AC DC  
 Withstanding Voltage:800V AC/minute  
 Temperature Range:  $-25^{\circ}C \sim +105^{\circ}C$



Order Information  
 L-KLS2-L13-03P  
 └───┬───┬───  
 Series No. Number of Poles RoHS

Board Layout



Installation drawing

GENERAL TOLERANCE		ANGLE TOLERANCE		PROJECTION		Description:	
X.	$\pm 0.15$	X.	$\pm 5^{\circ}$	UNITS	mm	Push-in CAGE type,SMD 4.0mm L-KLS2-L13-03P	
.X	$\pm 0.03$	.X	$\pm 3^{\circ}$	SHEET SIZE	A4		
.XX	$\pm 0.05$	.XX	$\pm 2^{\circ}$	KLS P/N:			
Draw by:	Jenny	Date:	2018-03-10	 NingBo KLS ELECTRONIC CO.,L TD.			
Check by:		Date:	2018-03-10				
SCALE		SHEET	1	OF	1		