

4

3

2

1

THIS DRAWING IS UNPUBLISHED. RELEASED FOR PUBLICATION
 © COPYRIGHT - By - ALL RIGHTS RESERVED.

REVISIONS				
P	LTR	DESCRIPTION	DATE	APVD
J4		REVISED PER ECO-11-004587	11MAR11	RK HMR
J5		REVISED PER ECO-16-017354	03MAR2017	RK AS

PANEL CUT OUT

2.00-3.00	19.8-0.1	13.0+0.1
1.25-2.00	19.4-0.1	13.0+0.1
0.75-1.25	19.2-0.1	13.0+0.1
PANEL THICKNESS	X	Y

SWITCH FRAME
 ROCKER BUTTON
 21.0
 3.8±0.5
 20.9±1.0
 11
 16A 125VAC ½HP
 10A 250VAC ½HP
 1 2 3
 13.8
 0.8±0.1
 7.1
 18.5
 7

15.0
 2.00±0.20
 QC TAB TERMINAL
 4.75±0.10
 13.00±0.20
 2.20±0.20

7
 10A 125V~
 6(3)A 250V~
 μ 25 T 85
 10

SWITCH FUNCTION A1
 CIRCUIT DIAGRAM

SWITCH FUNCTION A3
 CIRCUIT DIAGRAM

1571076-9 SHOWN

THIS DRAWING IS A CONTROLLED DOCUMENT.		DWN M.BINNER 25FEB2002	TE Connectivity	
DIMENSIONS: MM		CHK J.MOSIER		
TOLERANCES UNLESS OTHERWISE SPECIFIED:		APVD -	NAME POWER ROCKER SWITCH, 13.0mm X 19.2mm PANEL SIZE SPST 2 TERMINALS NON-ILLUMINATED	
0 PLC ± -		PRODUCT SPEC NOT APPLICABLE	SIZE A2	CAGE CODE 00779
1 PLC ± 0.30		APPLICATION SPEC NOT APPLICABLE	DRAWING NO C-1571076	RESTRICTED TO -
2 PLC ± 0.05		WEIGHT	SCALE 3:1	
3 PLC ± -		FINISH	SHEET 1 of 4	
4 PLC ± -			REV J5	
ANGLES ± -		CUSTOMER DRAWING		
FINISH				

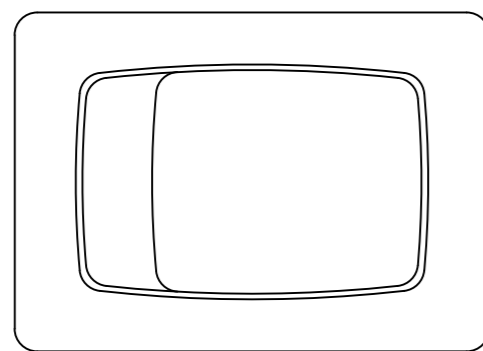
1471-9 (1/15)

1571076

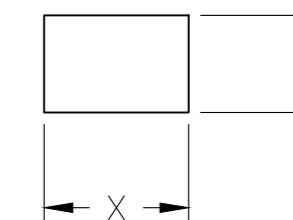
A

THIS DRAWING IS UNPUBLISHED. RELEASED FOR PUBLICATION
 © COPYRIGHT - By - ALL RIGHTS RESERVED.

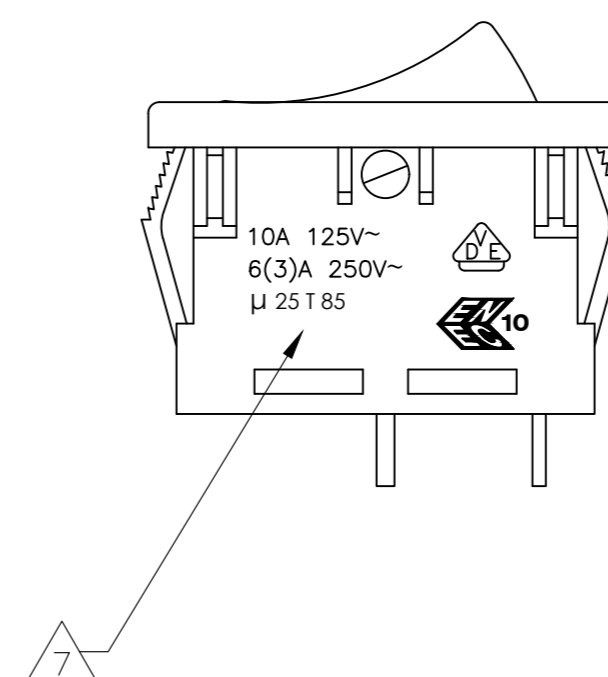
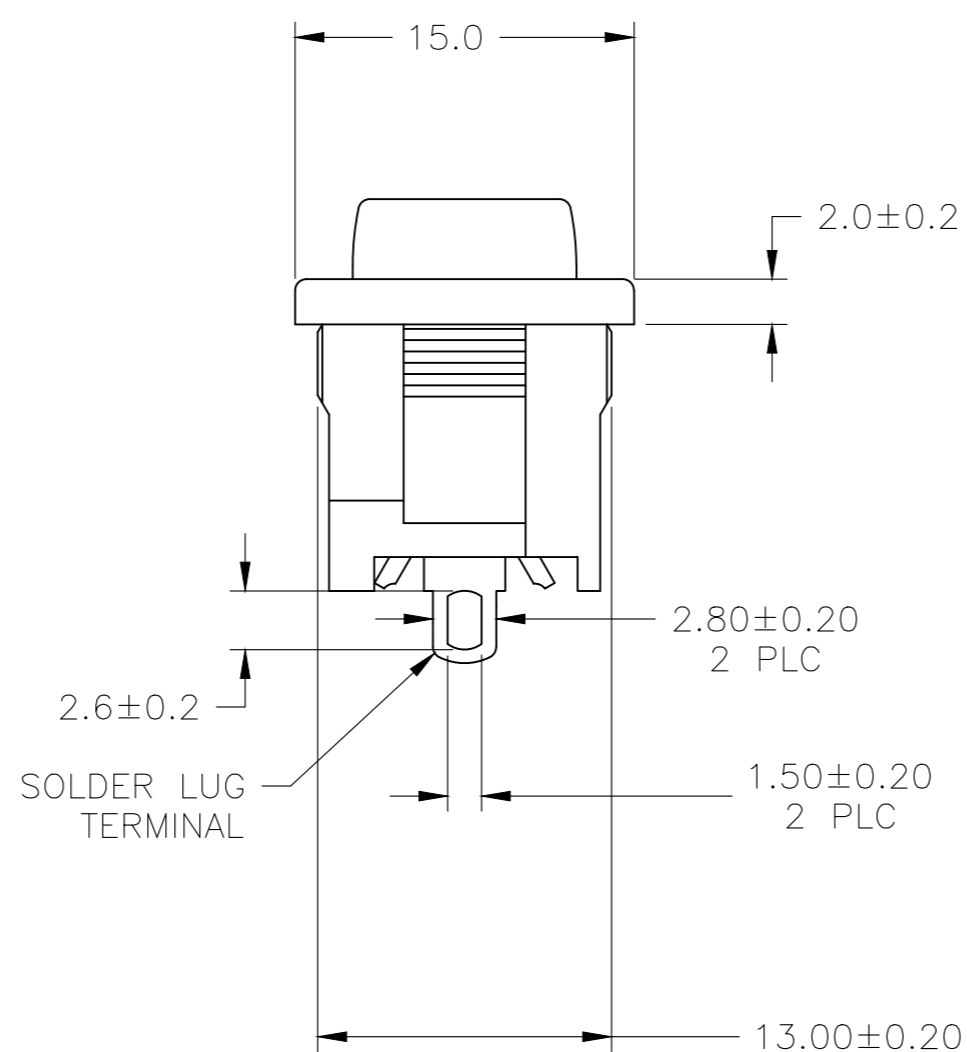
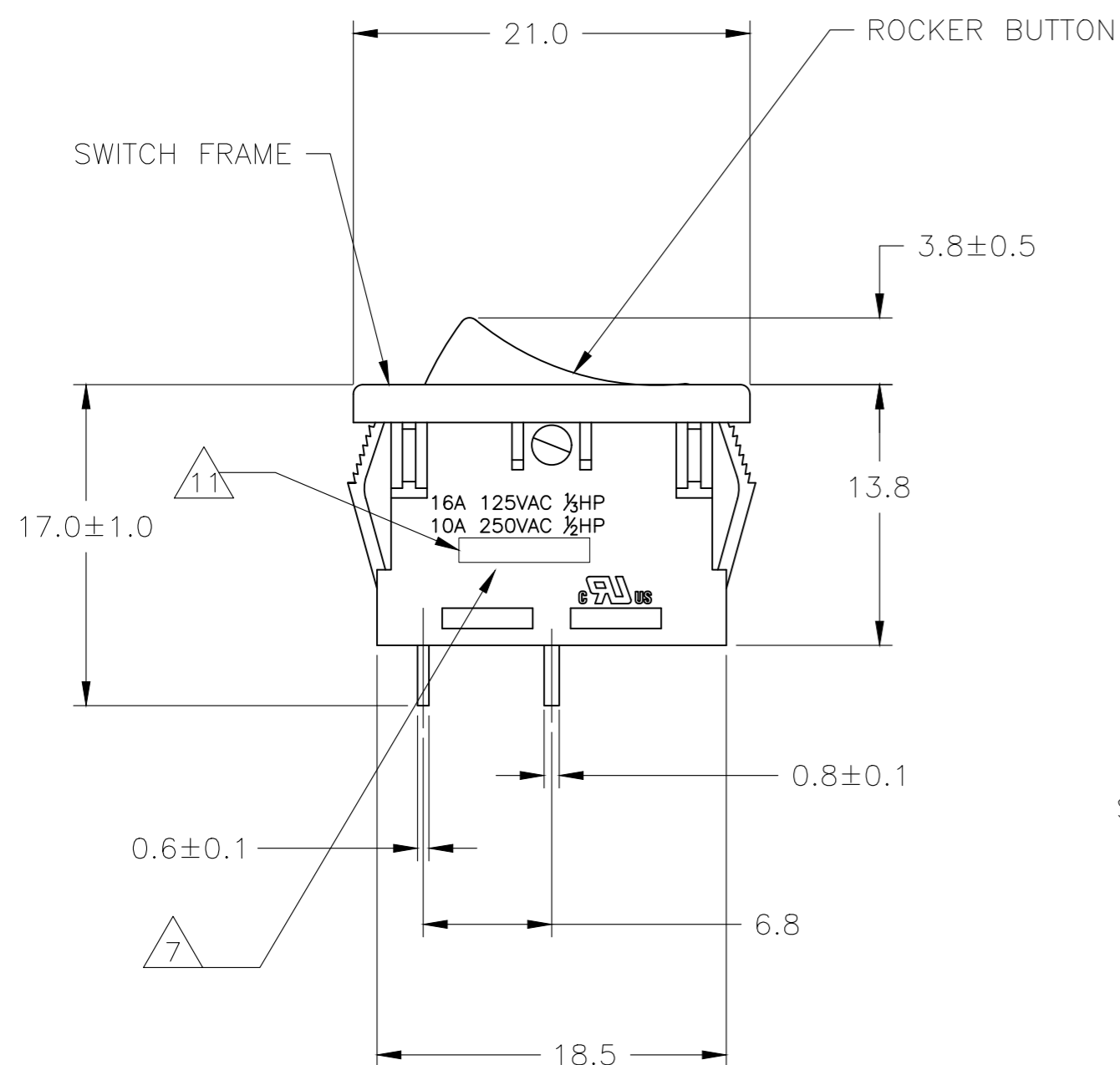
REVISIONS				
P	LTR	DESCRIPTION	DATE	APVD
-	-	SEE SHEET 1	-	-



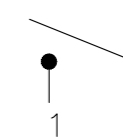
PANEL CUT OUT



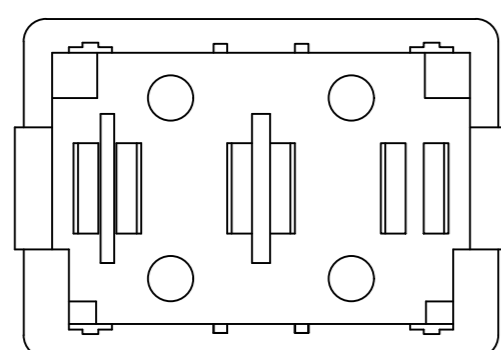
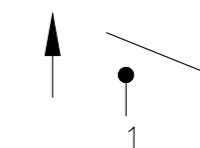
2.00-3.00	19.8-0.1	13.0+0.1
1.25-2.00	19.4-0.1	13.0+0.1
0.75-1.25	19.2-0.1	13.0+0.1
PANEL THICKNESS	X	Y



SWITCH FUNCTION A1
CIRCUIT DIAGRAM



SWITCH FUNCTION A3
CIRCUIT DIAGRAM

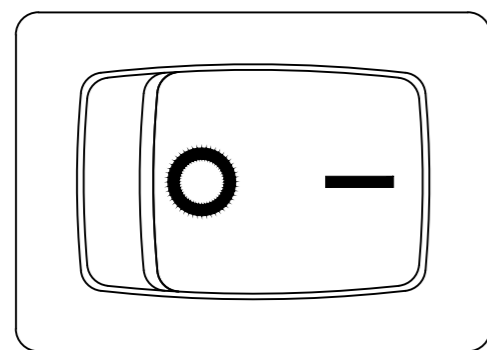


1-1571076-2 SHOWN

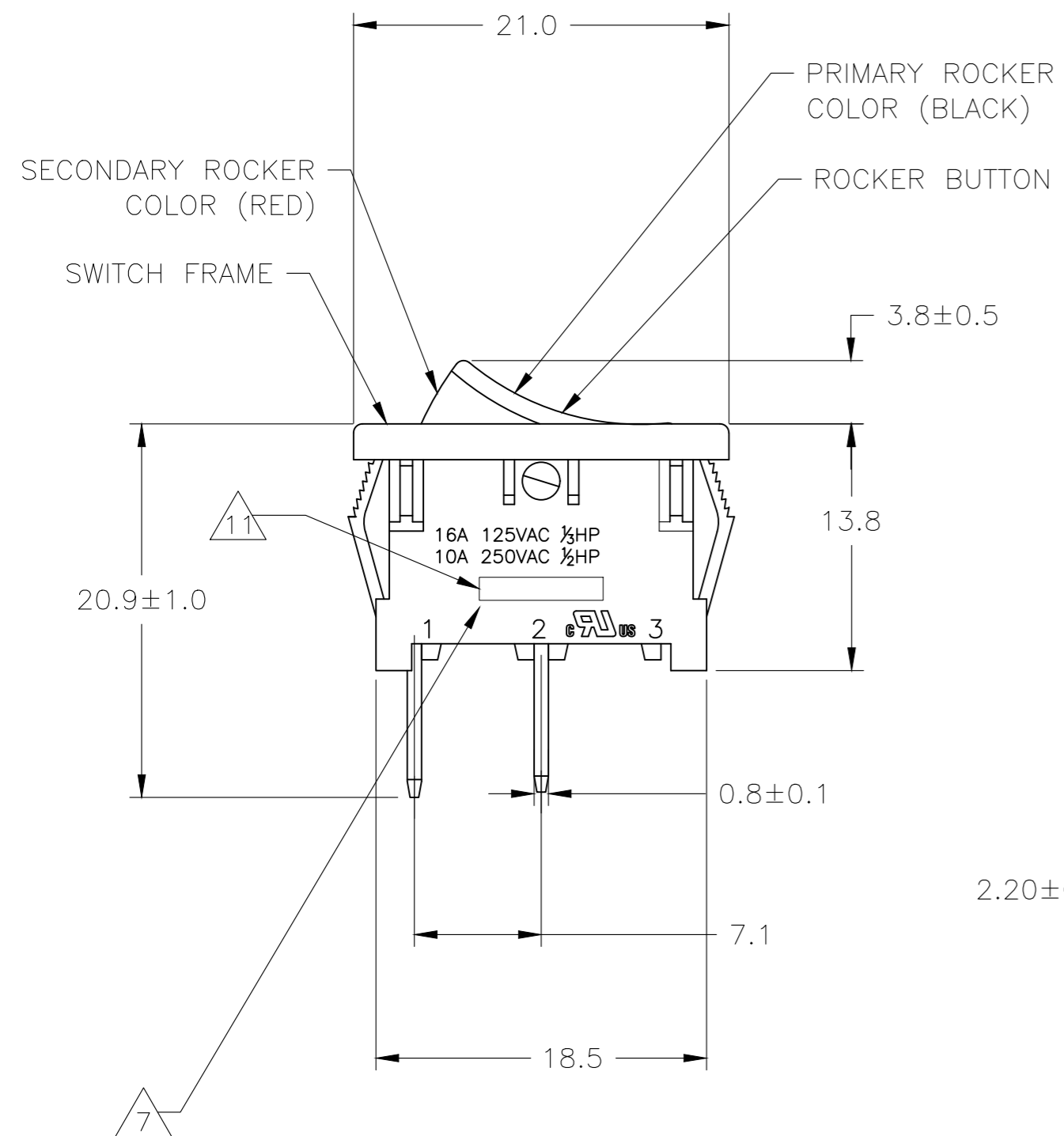
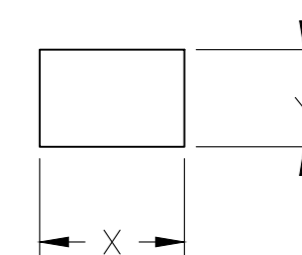
THIS DRAWING IS A CONTROLLED DOCUMENT.		DWN M.BINNER 25FEB2002	TE Connectivity	
DIMENSIONS: MM		CHK J.MOSIER		
		APVD -	PRODUCT SPEC NOT APPLICABLE	POWER ROCKER SWITCH, 13.0mm X 19.2mm PANEL SIZE SPST 2 TERMINALS NON-ILLUMINATED
TOLERANCES UNLESS OTHERWISE SPECIFIED:		APVD -	APPLICATION SPEC NOT APPLICABLE	RESTRICTED TO
0 PLC ± -		WEIGHT 0	SIZE A2	CAGE CODE 00779
1 PLC ± 0.30		DRAWING NO 1571076		
2 PLC ± 0.05		SCALE 3:1		SHEET 2 of 4
3 PLC ± -		CUSTOMER DRAWING		REV J5
4 PLC ± -				
ANGLES ± -				
FINISH				

THIS DRAWING IS UNPUBLISHED. RELEASED FOR PUBLICATION
 © COPYRIGHT - By - ALL RIGHTS RESERVED.

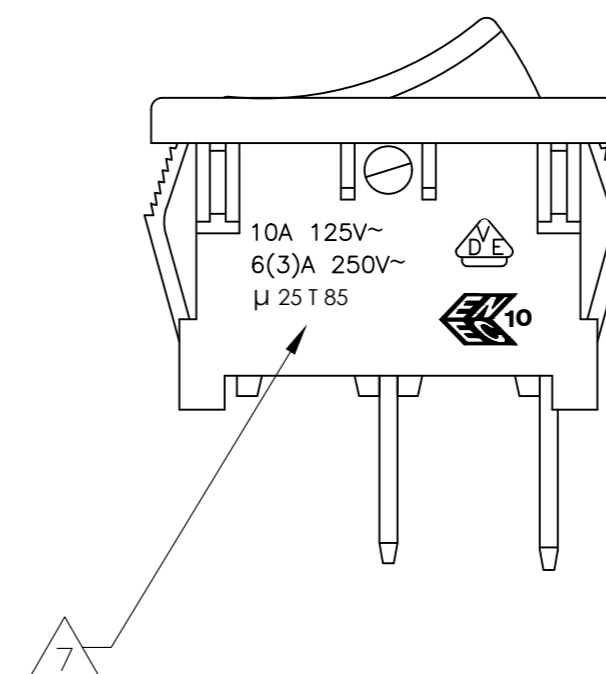
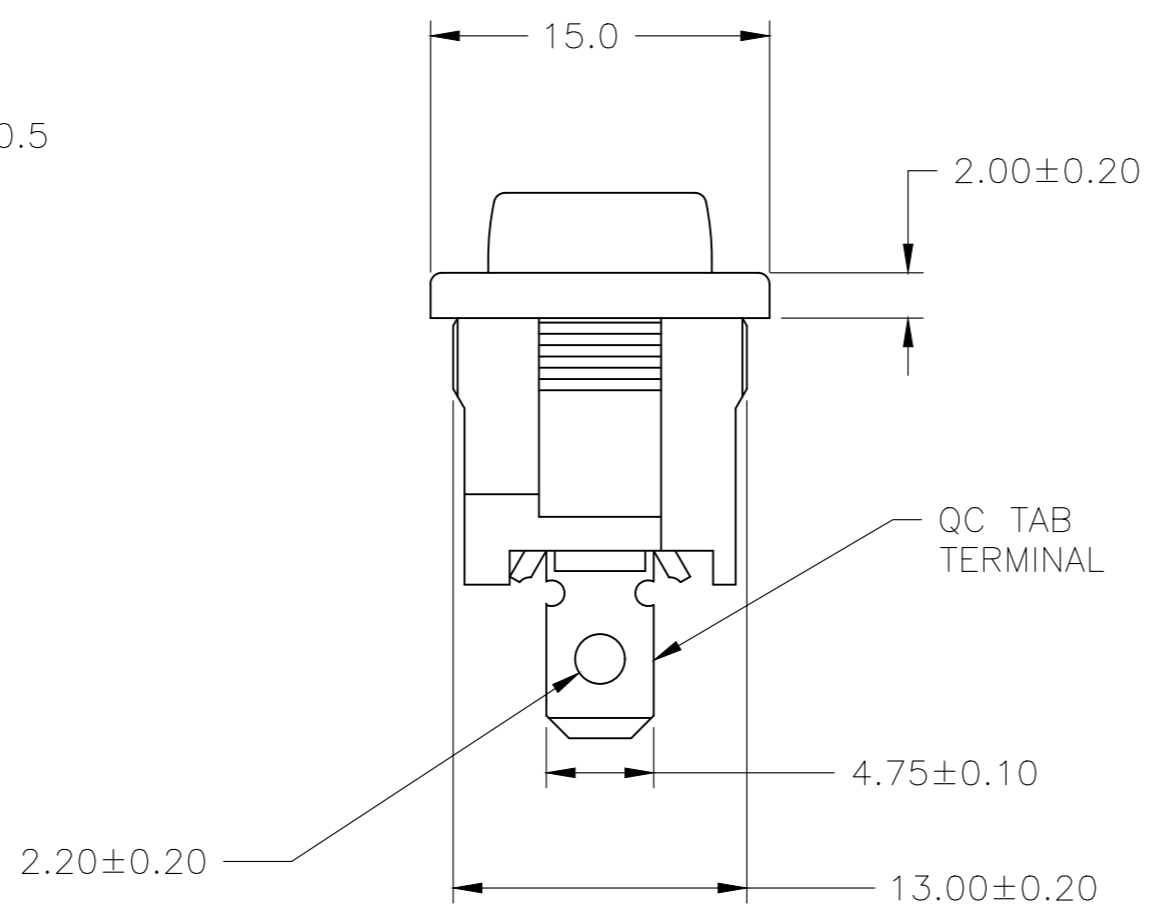
REVISIONS				
P	LTR	DESCRIPTION	DATE	APVD
-	-	SEE SHEET 1	-	-



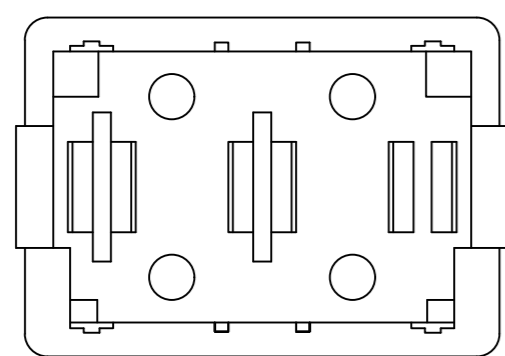
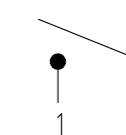
PANEL CUT OUT



2.00-3.00	19.8-0.1	13.0+0.1
1.25-2.00	19.4-0.1	13.0+0.1
0.75-1.25	19.2-0.1	13.0+0.1
PANEL THICKNESS	X	Y



SWITCH FUNCTION A2
CIRCUIT DIAGRAM

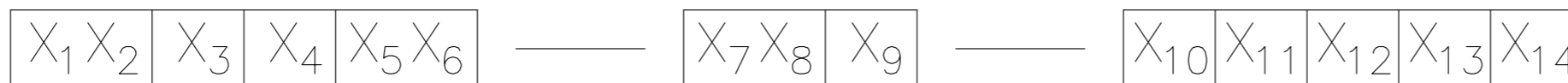


OBSOLETE 6-1571076-7 SHOWN
(WITH DUAL COLOR ROCKER BUTTON)

THIS DRAWING IS A CONTROLLED DOCUMENT.		DWN M.BINNER 25FEB2002	TE Connectivity	
DIMENSIONS: MM		CHK J.MOSIER		
TOLERANCES UNLESS OTHERWISE SPECIFIED:		APVD -	PRODUCT SPEC NOT APPLICABLE	SIZE A2
0 PLC ± -		APPLICATION SPEC NOT APPLICABLE	CAGE CODE 00779	DRAWING NO. C-1571076
1 PLC ± 0.30		WEIGHT -	RESTRICTED TO -	SCALE 3:1
2 PLC ± 0.05		CUSTOMER DRAWING		SHEET 3 of 4
3 PLC ± -				REV J5
4 PLC ± -				
ANGLES ± -				
FINISH				

REVISIONS				
P	LTR	DESCRIPTION	DATE	APVD
-	-	SEE SHEET 1	-	-

LEGACY PART NUMBER



SWITCH TYPE: X1 X2 = PR - POWER ROCKER

NOMINAL PANEL CUT OUT SIZE: X3 = A - 13.0x19.2

NUMBER OF POLES: X4 = S - SINGLE

SWITCH FUNCTION: X5 X6 =

A1 - ON-OFF, WITH OPAQUE, SINGLE-COLOR ROCKER BUTTON

A2 - ON-OFF, WITH OPAQUE, DUAL-COLOR ROCKER BUTTON

A3 - (ON)-OFF, WITH OPAQUE, SINGLE-COLOR ROCKER BUTTON

CURRENT RATING: X7 X8 = 16 - △6

TERMINAL TYPE: X9 = F - QC TAB

L - SOLDER LUG

FRAME COLOR: X10 = B - BLACK

W - WHITE

ROCKER COLOR: X11 = B - BLACK

G - GREEN

R - RED

W - WHITE

SECONDARY ROCKER COLOR: X12 = ∅ - NOT APPLICABLE

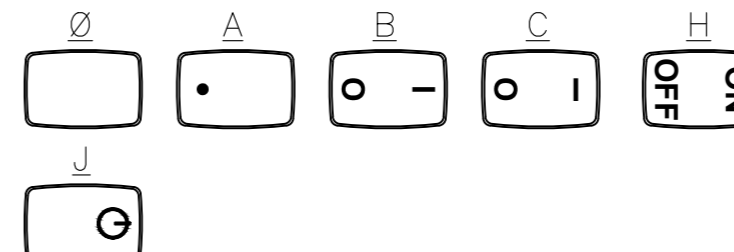
B - BLACK

G - GREEN

R - RED

W - WHITE

LEGEND TEXT PATTERN: X13 =



LEGEND TEXT COLOR: X14 = ∅ - NOT APPLICABLE

G - GREEN

R - RED

B - BLACK

W - WHITE

1

MATERIALS:

ROCKER BUTTON & HOUSING FRAME: NYLON 66, UL 94 V-2.

TERMINAL, ACTIVE CONTACTOR: COPPER ALLOY PER ASTM

B152/B152M

PLUNGER: COPPER ALLOY PER ASTM B036

SPRING: STEEL WIRE PER ASTM A228/A228M

CONTACT: SILVER-TIN OXIDE

BOTTOM PLATE(SOLDER LUG OPTION): PHENOLIC LAMINATE

2

FINISH:

TERMINAL, ACTIVE CONTACTOR: 1.0µm MIN SILVER

PLUNGER: 3.0µm MIN NICKEL

3

ELECTRICAL SPECIFICATIONS:

CURRENT AND VOLTAGE: △6

CONTACT RESISTANCE (INITIAL): <100mΩ (5V, 1A DC)

DIELECTRIC STRENGTH (INITIAL): >1000 VAC, 1 MINUTE

INSULATION RESISTANCE (INITIAL): >100MΩ MIN (500VDC BETWEEN OPEN CONTACTS)

INRUSH CURRENT: 50A / 3msec (CAPACITIVE LOAD)

ELECTRICAL LIFE ENDURANCE: >6000 OPERATIONS,

TEMPERATURE RISE AT TERMINALS: <30°C, 6000 OPERATIONS (AMBIENT CONDITIONS: 25±2°C AND 65±5%RH)

DEGREE OF PROTECTION: IP40

4

MECHANICAL SPECIFICATIONS:

ACTUATING FORCE: 150g MIN, 650g MAX

OPERATING LIFE ENDURANCE: >100,000 OPERATIONS

TERMINAL RETENTION FORCE: >2.5kg- SOLDER LUG

>6.8kg- QC TAB

5

ENVIRONMENTAL SPECIFICATIONS:

AMBIENT TEMPERATURE: -20°C TO +85°C

HUMIDITY: MAX 85%

SALT SPRAY: NO REMAKABLE RUST IN METAL PARTS. (5% SALT / 35°C 24HRS)

SHOCK: NO MECHANICAL DEFECT OR DAMAGE. (100g / 10MSEC/ X,Y,Z 3 TIMES)

VIBRATION: NO MECHANICAL DEFECT OR DAMAGE. (10-55Hz /1.5mm/ X,Y,Z 2HRS)

DEGREE OF PROTECTION: IP40

△6

UL: 16A@125VAC 1/3HP / 10A@250VAC 1/2HP
 ENEC: 10A 125V~, 6(3)A 250V~ µ25T85.

△7

ELECTRICAL RATINGS, AGENCY APPROVAL LOGOS, TERMINAL IDENTIFICATION NUMBERS, MOLDED APPROXIMATELY AS SHOWN ON THE SIDE OF THE SWITCH HOUSING.

8. COMPONENT RECOGNIZED TO US AND CANADIAN STANDARDS, UL FILE NO. E46765.

9. COMPONENT RECOGNIZED TO EUROPEAN STANDARDS, (ENEC & VDE). MARKS LICENSE NO. 40006757.

10. ROHS 2002/95/EC COMPLIANT.

△11

TE CONNECTIVITY LOGO LOCATED APPROXIMATELY AS SHOWN

OBSOLETE	3	PRASA2-16F-BBRBR	6-1571076-7
	2	PRASA1-16L-BR000	6-1571076-6
	1	PRASA1-16F-BR000	6-1571076-5
	2	PRASA1-16L-BR0BW	3-1571076-0
	1	PRASA3-16F-BB000	2-1571076-6
OBSOLETE	1	PRASA3-16F-BB0JW	2-1571076-1
	1	PRASA1-16F-BB0HW	2-1571076-0
OBSOLETE	2	PRASA1-16L-BB0CW	1-1571076-4
	2	PRASA1-16L-BB0BW	1-1571076-3
	2	PRASA1-16L-BB000	1-1571076-2
	1	PRASA1-16F-BB0CW	1-1571076-1
	1	PRASA1-16F-BB0BW	1-1571076-0
	1	PRASA1-16F-BB000	1571076-9
	SHEET REF.	LEGACY PART NUMBER	PART NUMBER

THIS DRAWING IS A CONTROLLED DOCUMENT.		DWN M.BINNER	25FEB2002	TE Connectivity	
DIMENSIONS: MM		CHK J.MOSIER	-		
TOLERANCES UNLESS OTHERWISE SPECIFIED:		APVD -	-	NAME POWER ROCKER SWITCH, 13.0mm X 19.2mm PANEL SIZE SPST 2 TERMINALS NON-ILLUMINATED	
0 PLC ± -		PRODUCT SPEC		APPLICATION SPEC	
1 PLC ± 0.30		NOT APPLICABLE		-	
2 PLC ± 0.05		APPLICABLE SPEC		-	
3 PLC ± -		NOT APPLICABLE		-	
4 PLC ± -		-		-	
ANGLES ± -		-		-	
FINISH		WEIGHT		RESTRICTED TO	
△1		0.000000		-	
△2		A2 00779 C-1571076		-	
MATERIAL		CUSTOMER DRAWING		SCALE 3:1 SHEET 4 of 4 REV J5	