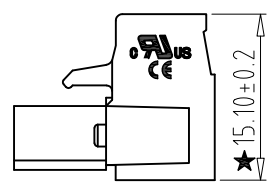
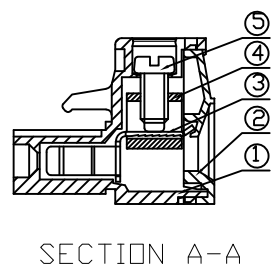
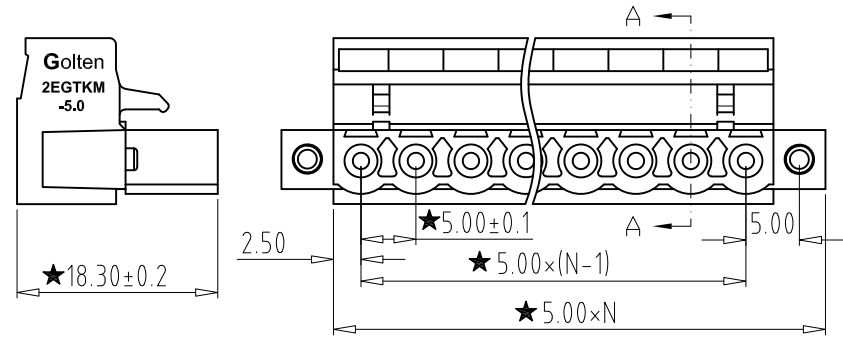
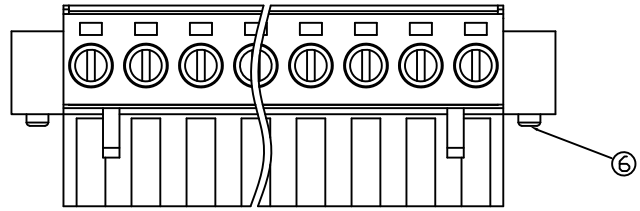
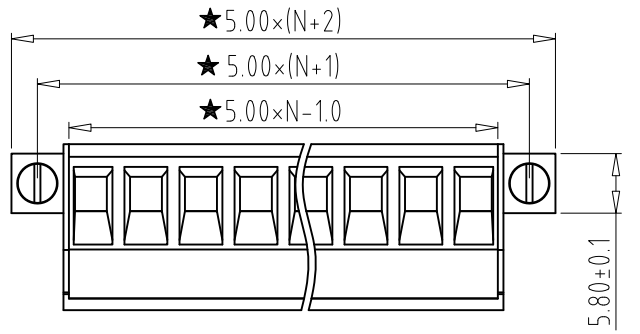
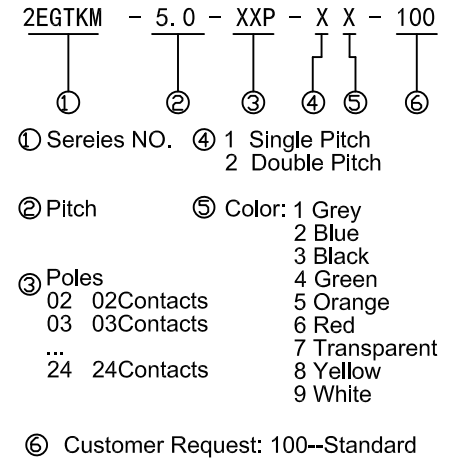


REV	CONTENT	CHK	DATE
V0.0	CONTENT	MYZ	21.07.03

Electrical :

- | | | |
|--|------------------|--------------------|
| | UL | IEC |
| 1. Rated Voltage : | 300V | 320V |
| 2. Rated Current : | 15A | 20A |
| 3. Torque Value : | M2.5 , 3.54Lb.in | M2.5, 0.4N.m |
| 4. Wire Range: | 28-12AWG | 2.5mm ² |
| 5. Stripping Length : | 7-8mm | |
| 6. Withstanding Voltage : | AC1600V/1Min. | |
| 7. Operating Temperature : | -40°C~-+105°C | |
| 8. RoHS Compliance | | |
| 9. Safty Approval : | cULus CE | |
| 10. "★" is the key quality control point | | |



6	SCREW-SIDE	XX	2	STEEL	Zn Plated
5	SCREW	XX	N	STEEL	Zn Plated
4	BLOCK	XX	N	BRASS	Ni Plated
3	CLAMP	XX	N	PHOSPHOR BRONZE	Ni Plated
2	COVER	XX	1	PA66 UL94V-0	SEE NOTE
1	HOUSING	XX	1	PA66 UL94V-0	SEE NOTE

Total Pitch Tolerances in mm										Nominal dimension range in mm										⊥	≡	-	//							
over 0	over 30	over 53	over 70	over 90	over 115	over 150	over 250	over 350	over 500	over 0	over 30	over 53	over 70	over 90	over 115	over 150	over 200	over 250	over 320	over 0	over 10	over 100	over 150	0.2	0.3	0.3	0.2	0.3	0.5	
±0.18	±0.20	±0.25	±0.3	±0.35	±0.44	±0.60	±0.70	±0.85	±0.20	±0.25	±0.30	±0.35	±0.44	±0.55	±0.70	±0.80	±0.90													

ITEM	NAME OF PART	NO. OF PART	Q'TY	MATERIAL	NOTE
DWG.	MYZ	DATE	21.07.03	SIZE	A4 UNITS mm SHEET/OF 1/1
CHK.		DATE		SCALE	1:1
APP.		DATE		NAME	2EGTKM-5.0-XXP-XX-100
				DWGNO.	XXXX

Golten 宁波冠泰电子有限公司
NINGBO GOLTEN ELECTRONICS CO., LTD.